

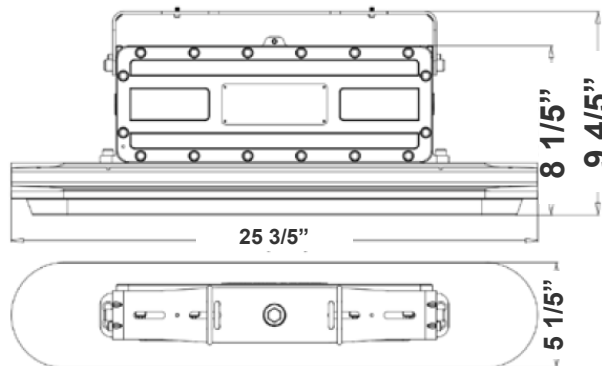
**EXPL-40W-50K**  
HAZARDOUS LOCATION FLOOD/HIGHBAY LIGHTS



Customer Name: \_\_\_\_\_

Project Name: \_\_\_\_\_

Note: \_\_\_\_\_ | Type: \_\_\_\_\_



9 4/5" (H) x 25 3/5" (W) x 5 1/5" (D)

Ideal for Stadium lighting, Sports fields, parking lots, docks, railway and container yards, Architectural lighting, Industrial and commercial exterior lighting, trade shows, exhibitions

## Features

- UL ANSI/UL 844, "Luminaires for Use in Hazardous (Classified) Locations."
- UL E503444 Class I, Division 2, Groups A, B, C and D, Luminaires for HazLoc
- 7-year Warranty
- Lens: Clear Glass
- Aluminum Alloy Housing
- LED: Samsung / SMD 2835(0.5W)

## Technical Specifications

### Electrical:

- Voltage: 120~277V AC 60Hz
- Wattage: 40W
- Power Factor: >0.90
- THD: ≤20%
- Efficacy: 135LPW

### Lighting:

- Lens: Clear Glass
- LED: Samsung / SMD 2835(0.5W)
- Total lumens: 5400LM
- Color Temperatures: 5000K
- Color Rendering Index: CRI ≥ 84
- Rated Life: 70,000 Hrs
- Beam Angle: 100°

### Mechanical:

- Aluminum Alloy Housing
- Gray Finish
- 3/4" Threaded KO On Top
- Operating Temperature: -40°F to 176°F
- IP Rating: IP66, Suitable for Wet Locations
- 7-year Warranty

### Applications:

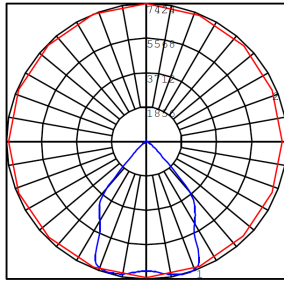
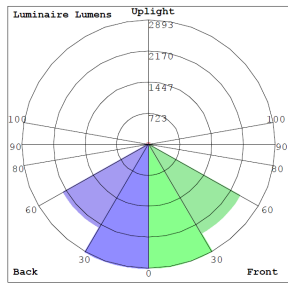
- Warehouse, Factory And Workshops;
- Petroleum and Petrochemical Area, And Gas Station;
- Power, Railway, Ship Port, Public Security, Fire Protection And Other Fields

### Other Models:

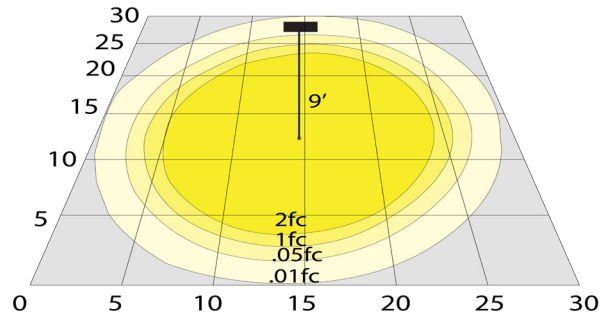
- 80W | 10800LM | EXPL-80W-50K
- 120W | 15600LM | EXPL-120W-50K



**Photometrics:** EXPL-40W-50K



BUG Rating: B3-U2-G0



40W 5000K, Area 30'x 30' Mounting Height: 9'

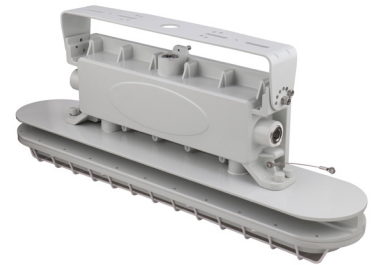
**Other Views:**



Side View



Lens View



Back View

**Performance Table:** EXPL-40W-50K

MODEL NO.	Wattage	Voltage	Lumens	Color Temp.	BUG Rating	LPW
EXPL-40W-50K	40W	120~277V	5400LM	5000K	B3-U2-G0	135

**Sample Ordering**

**Model**    **Watt**    **Color Temp.**

EXPL - 40W - 50K

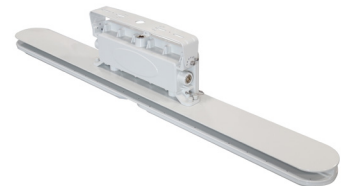
**Other Model:** EXPL-80W-50K



Side View



Lens View



Back View

