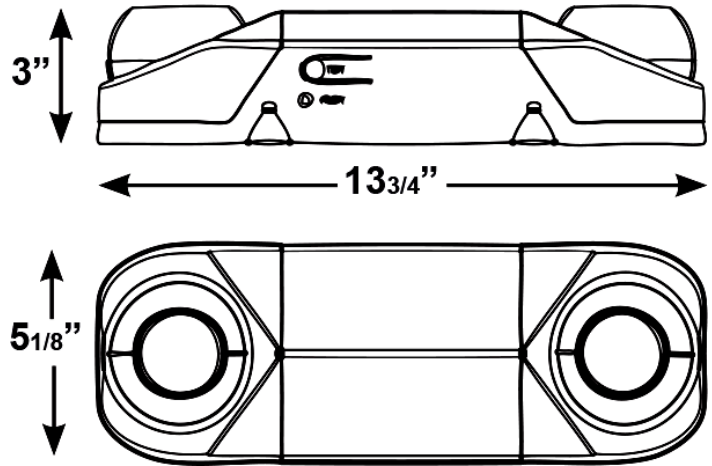




EW-16-LED
EW-16-B-LED

DIMENSIONS:



LED EMERGENCY LIGHTS

ELECTRICAL SPECIFICATIONS:

- Voltage: Dual 120-277V
- Wattage: 3.3W per Head

HOUSING SPECIFICATIONS:

- Surface mount with top and side knockout for conduit
- Two fully adjustable LED heads
- Low profile compact design, available in white or black housing
- Housing color: Frost White (Black is available In request)
- Mount: Wall mount
- Suitable for damp location

CERTIFICATIONS: UL



TECHNICAL SPECIFICATIONS:

- Solid state electronics and charger board
- Push-to-test switch
- Two fully adjustable 3.3-watt MR16 LED lamp heads for safe egress
- 6 V, Rechargeable Lead Acid battery
- 90-minute EM-rated with push style test switch and red indicator light

WARRANTY: 3 years

- Meets UL924, NFPA101 life safety code, Local and State codes, NEC, OSHA

MODEL	WATTS	VOLTAGE	NUMBER OF HEADS	BATTERY	HOUSING
EW-16-LED	3.3W per Head	Dual 120-277V	2	Lead acid	Frost White
EW-16-B-LED	3.3W per Head	Dual 120-277V	2	Lead acid	Black

