


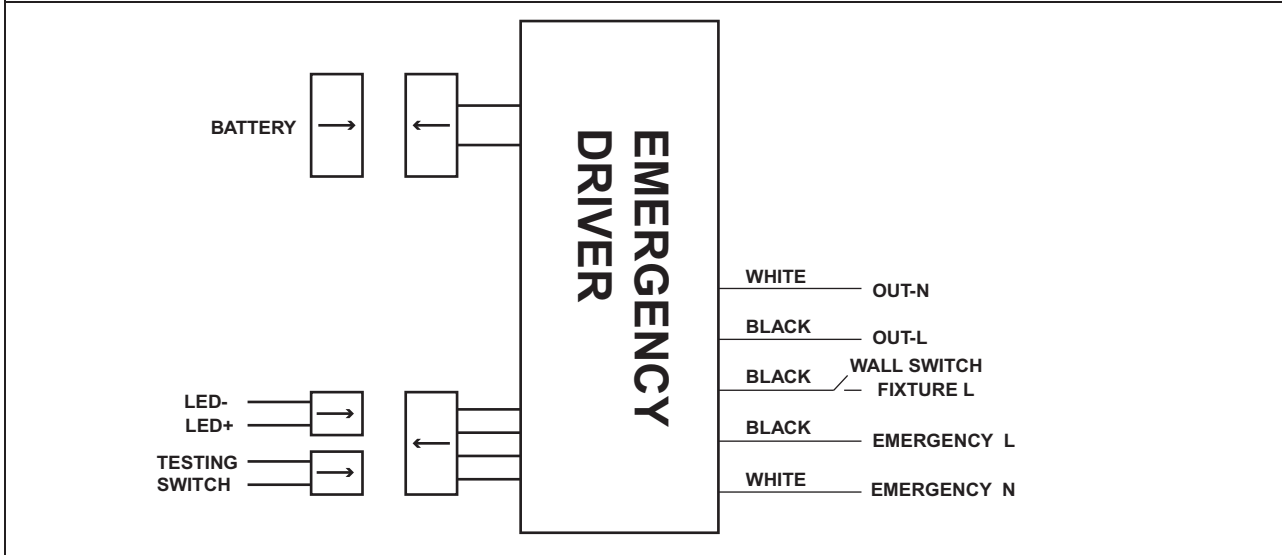


Product features

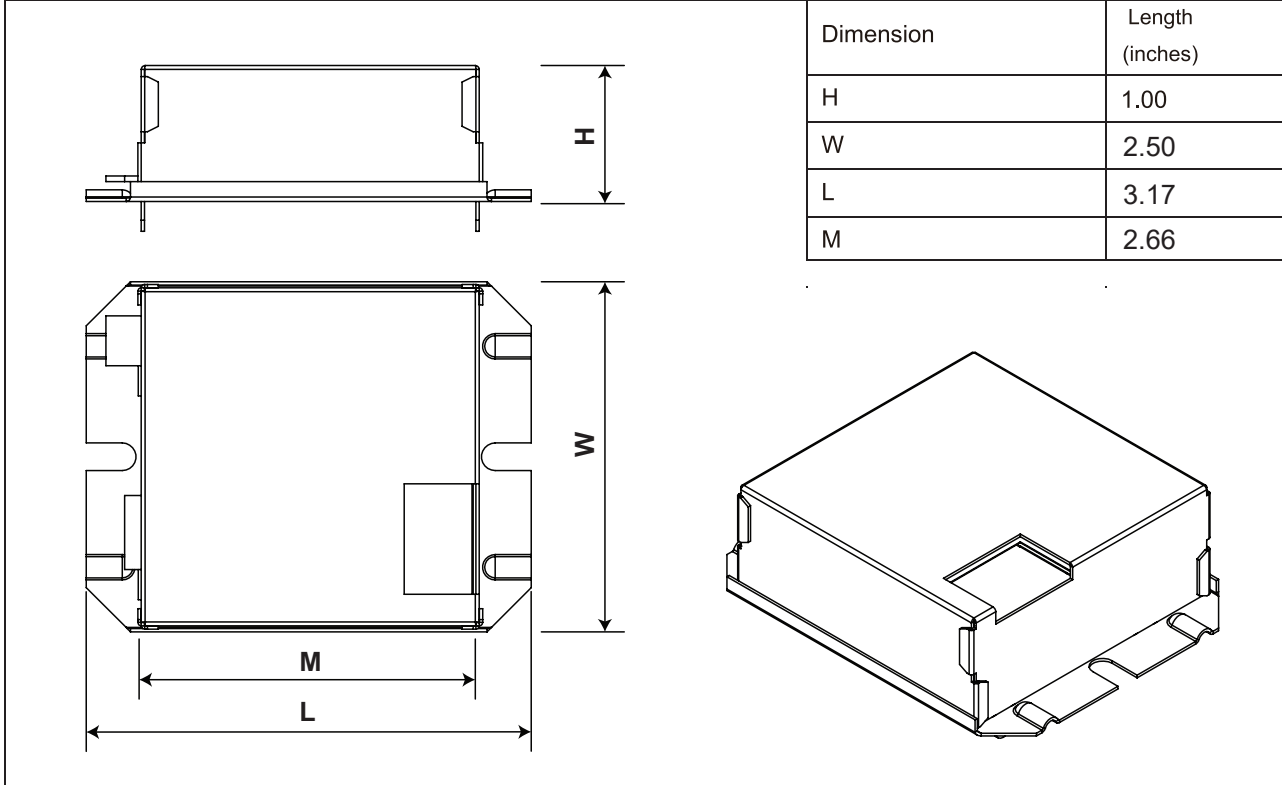
- 200mA output Current max
- Open Circuit Protection
- Short Circuit Protection
- ETL approval
- FCC Part 15 Class B
- 5 Years Limited Warranty

ELECTRICAL DATA		Markings
Input voltage	120Vac 50/60Hz	
Input current	150mA MAX.	
Power factor	0.6	
Recharge power	8W MAX. / 16W MAX. / 25W MAX.	
Standby power	0.5W	
Output current	200mA MAX	
Output voltage	AC100~120V	
Output power	25W MAX.	
Output short protection	YES	
Output open protection	YES	
Ambient temperature	0°C~50°C	
Tc MAX	°C	
Time to light	0.3S from detection of emergency event	
Recharge time required	7.5-27.5H (Refer to battery chart)	
Battery type	LiCoO ₂ 11.1Vdc	
Battery capacity available	1800mAH,2600mAH, 4500mAH,	

WIRING DIAGRAMS

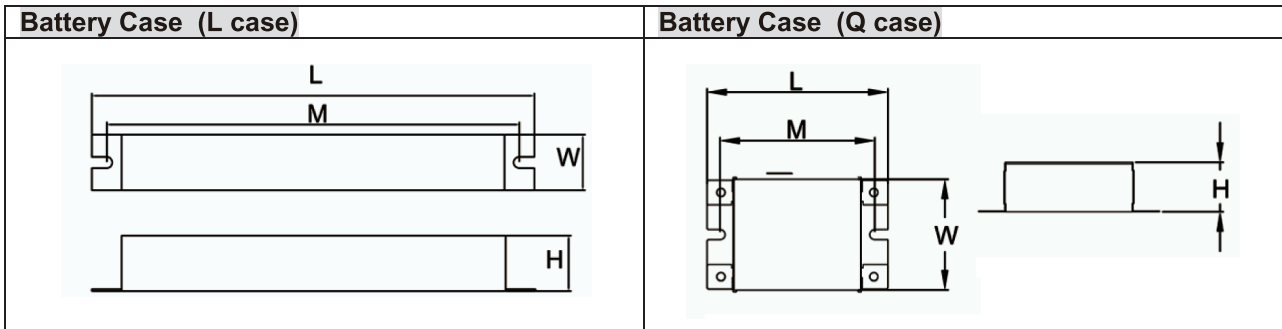


MECHANICAL DATA



BATTERY CHART

Batter Order Code	Dimension (LxWxH)	Battery Type	Capacity	Wattage	Battery Voltage	Re-Charging Time
QTB-8W-L	9.37" x 1.10" x 1.12"	LiCoO ₂	1800mAH	8W	11.1VDC	7.5H
QTB-16W-L	9.37" x 1.10" x 1.12"		2600mAH	16W	11.1VDC	15H
QTB-25W-L	9.37" x 1.22" x 1.20"		4500mAH	25W	11.1VDC	27.5H
QTB-8W-S	3.62" x 2.70" x 0.98"		1800mAH	8W	11.1VDC	7.5H
QTB-16W-S	3.62" x 2.70" x 0.98"		2600mAH	16W	11.1VDC	15H
QTB-25W-S	4.61" x 2.83" x 1.20"		4500mAH	25W	11.1VDC	27.5H



Wattage: Max load for 90 minutes

IMPORTANT SAFE PRACTICES

PLEASE READ CAREFULLY AND FOLLOW ALL INSTRUCTIONS FOR YOUR OWN SAFETY

- This device is designed for use in fixtures listed for dry and damp locations.
- CAUTION: Make sure all electrical connections conform to the National Electrical Code and all applicable local regulations.
- CAUTION: Do not let power supply cords touch hot surfaces.
- CAUTION: Do not mount near gas or electric heaters.
- CAUTION: Battery is rechargeable LiCoO₂ type and must be recycled or disposed of properly.
- Do not use this emergency driver with accessory equipment other than recommended by manufacturer. Failure to follow this may cause an unsafe condition. Servicing should only be performed by qualified service personnel.
- Do not use this emergency driver for other than intended use. Equipment should be mounted in locations and at heights where it will not readily be subjected to tampering by unauthorized personnel.

WHEN USING ELECTRICAL EQUIPMENT, BASIC SAFETY PRECAUTIONS SHOULD ALWAYS BE FOLLOWED INCLUDING THE FOLLOWING:

- a) READ AND FOLLOW ALL SAFETY INSTRUCTIONS.
- b) Do not use outdoors (this item may be omitted if the product is suitable for outdoor use).
- c) Use caution when servicing batteries. Battery acid can cause burns to skin and eyes. If acid is spilled on skin or in eyes, flush acid with fresh water and contact a physician immediately.
- d) The use of accessory equipment not recommended by the manufacturer may cause an unsafe condition.