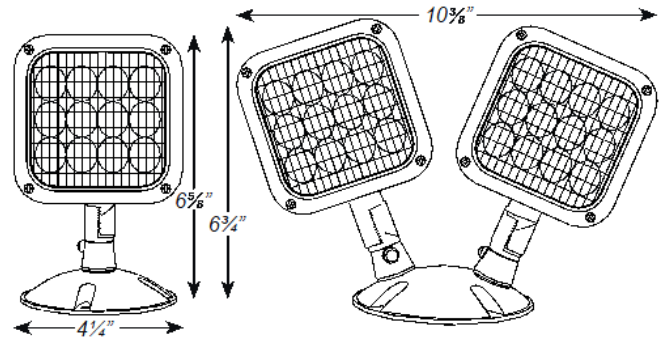


**DIMENSIONS:**



**EL-RH1-WP**

**EL-RH2-WP**

**SQUARE LED REMOTE HEADS**

MODEL	WATTS	VOLTAGE	NUMBER OF HEADS	HOUSING
EL-RH1-WP	1W Per head	3.6V/6V/9.9V/12VDC	1	White
EL-RH2-WP	1W Per head	3.6V/6V/9.9V/12VDC	2	White

**ELECTRICAL SPECIFICATIONS:**

- Voltage: 3.6V/6V/9.9V/12VDC
- Wattage: 1W per head

**HOUSING SPECIFICATIONS:**

- Injection-molded thermoplastic ABS housing
- White finish
- fully adjustable 1watt LED lamp heads
- Suitable fore Wet Location

**CERTIFICATIONS: UL**



**WARRANTY: 3 years**

