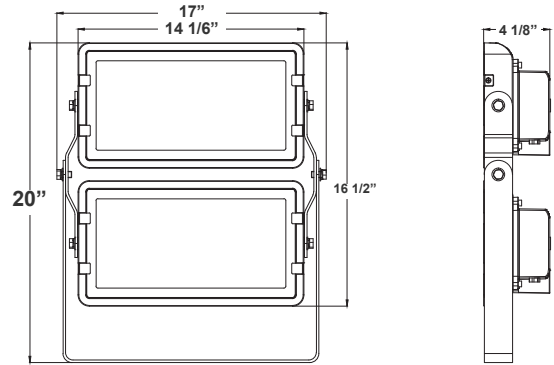


DMX SERIES OUTDOOR LIGHTING

DMX-FLS-144W-RGBW-BT-BK
DMX 512 COMPATIBLE RGBW SQUARE FLOOD LIGHT



Customer Name: _____
Project Name: _____
Note: _____ | Type: _____



20"(H) x 17"(W) x 4 1/8"(D)

The fixture has classic traditional appearance, professional light distribution design, 60-degree beam angle, ideal for park landscaping, garden, architectural landscape lighting, suitable for wet locations

Features

- Die-cast Aluminum Housing with Powder Coat Finish
- Adjustable Yoke Bracket
- 7-Year Warranty
- Lens Type: Plaid Tempered Glass + Aluminum Reflectors

Technical Specifications

Electrical:

- Voltage: 120-277V
- Power Factor: >0.9
- Wattage: 144W
- Efficacy: 51 LPW
- Operating Voltage: Max 900 mA, Max 36VDC
- In A DMX Lighting Setup, Lights Need To Be Connected With cables. The Cables Can Be "Daisy Chained" So That Each Light Can Plug Into The One Before It Instead Of All Lights Plugging Into The DMX Board Itself

Mechanical:

- Die-cast Aluminum Housing with Powder Coat Finish
- Solid State Lighting Technology for Long Life, No Maintenance Needed and High-Efficiency
- Lens Type: Plaid Tempered Glass + Aluminum Reflectors
- High Conductive Aluminum LED Board
- Adjustable Yoke Bracket
- Operating Temperature: -40°F to 104°F
- IP Rating: IP65, Suitable for Wet Locations
- 7-Year Warranty

Lighting:

- Dimming: Dimmable Through Phone App
- Total Lumens: 2700LM(Warm White)
- 7300LM(Cool White)
- Color Temperatures: RGBW Seletable Through DMX Controller
- Color Rendering Index: CRI ≥ 80
- Beam Angle: 60°

Applications:

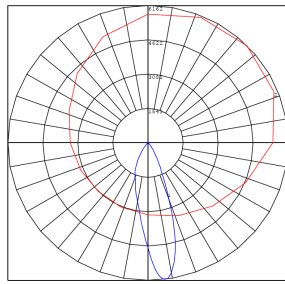
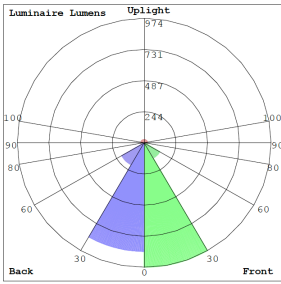
- The fixture has classic traditional appearance, professional light distribution design, 90-degree beam angle, ideal for park landscaping, garden, architectural landscape lighting, suitable for wet locations

Other Models:

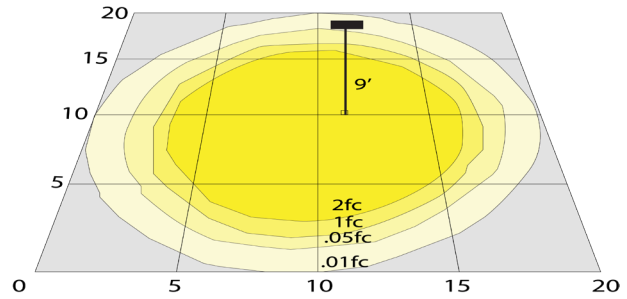
- 192W | 10100LM | TC-FLS-192W-RGEW-BT-BK



Photometrics: DMX-FLS-144W-RGBW-BT-BK



BUG Rating: B2-U2-G0



144W White, Area 20'x 20' Mounting Height: 9'

Performance Table: DMX-FLS-144W-RGBW-BT-BK

MODEL NO.	Wattage	Voltage	Lumens	Color Temp.	BUG Rating	LPW
DMX-FLS-144W-RGBW-BT-BK	144W	120-277V	2700LM(Single White) 7300LM(Maximum Power)	RGBW	B2-U2-G0	51

Sample Ordering

Model	Flood Light	Watt	Color Temp.	Color
DMX	FLS	144W	RGBW	BT - BK

Accessories:

Blank = No Option For Accessories

DMX-FLS-SH2 = HALF GLARE SHIELD FOR TC-FLS-96W & DMX-FLS-144W/192W

DMX-FLS-SHFG2 = FULL GLARE SHIELD FOR TC-FLS-96W & DMX-FLS-144W/192W

ACCESSORIES:



DMX-FLS-SH2
Half Glare Shield for DMX-FLS-144W/192W



DMX-FLS-SHEG1
Full Glare Shield for DMX-FLS-144W/192W

