

DLS SERIES Residential Lighting

DLS6-MCT-277V

MCT Multi Color Temperature (Selectable)



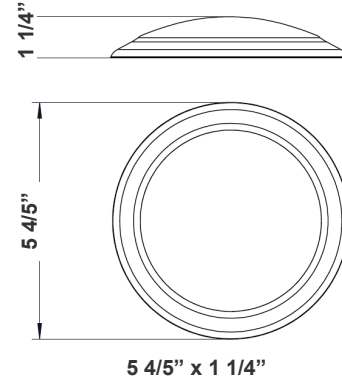
Disk lights have been designed to be a flexible lighting solution for retrofit and new construction applications, Ideal for closets, storage areas, attics, corridors, or general lighting solutions for residential and commercial applications.

Customer Name: _____

Project Name: _____

Note: _____

Type: _____



Features

- Die-cast Aluminum. Powder-Coated
- Unique DOB (Driver On Board) LED Board Enclosed in Clear PC Cover for Better Wet Location Performance
- Closed Cell Neoprene Foam Gasket
- Multi CCT (Selectable Switch on LED Board Under the Lens)

Technical Specifications

Electrical:

- Voltage: 277V AC
- Power Factor: >0.90
- Wattage: 15W
- Efficacy: 67 LPW

Mechanical:

- White Finish
- Die-cast Aluminum. Powder-Coated
- Gasket: Closed Cell Neoprene Foam Gasket
- Fits on 4"Octagonal (4O) or 3"Octagonal (3O) Electrical Boxes
- Recessed Mounting Kit Included for Recessed/Retrofit Installation
- Maximum Ambient Temperature: 104°F
- Rated life: 50,000 hrs

Lighting:

- Lens: White Translucent Acrylic
- LED: Unique DOB (Driver On Board) LED Board Enclosed in Clear PC Cover for Better Wet Location Performance
- Total Lumens: 1000LM
- Color Temperatures: 3000K/ 4000K/ 5000K
- Multi CCT (Selectable Switch on LED Board Under the Lens)
- Color Rendering Index: CRI ≥ 90
- 5-Year Warranty

Applications:

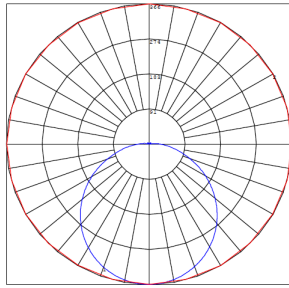
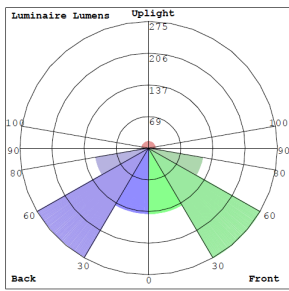
- Disk lights have been designed to be a flexible lighting solution for retrofit and new construction applications, Ideal for closets, storage areas, attics, corridors, or general lighting solutions for residential and commercial applications

Other Models:

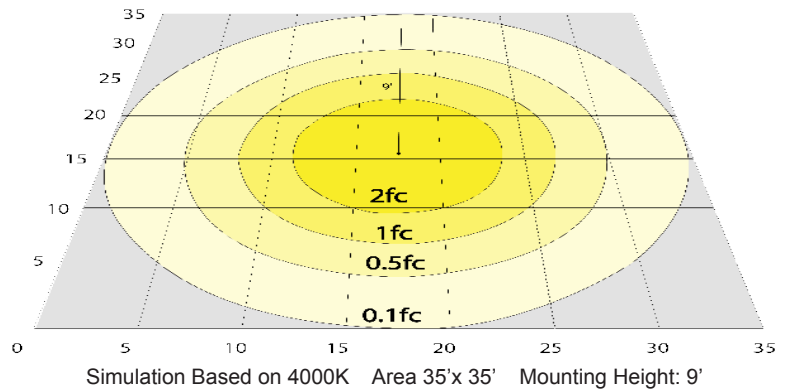
- 30W | 1800LM | DLS12-MCT-277V



Photometrics: DLS6-MCT-277V



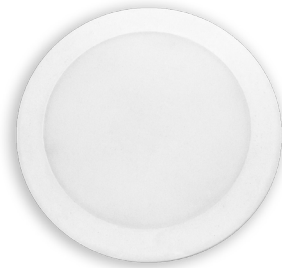
BUG Rating: B1-U2-G1



Other Views:



Side View



Front View



Back View

Performance Table: DLS6-MCT-277V

MODEL NO.	Wattage	Voltage	Lumens	Color Temp.	BUG Rating	LPW
DLS6-MCT-277V	15W	277V	1000LM	3000K/ 4000K/ 5000K	B1-U2-G1	67

Sample Ordering

Model Color Temp. Voltage

DLS6 - MCT - 277V

MOUNTING KIT and OPTION:



Recessed Mounting Kit included

Other Model:



DLS6-MCT-PIR
with PIR Motion Sensor



DLS6-MCT

