

# DLS SERIES Residential Lighting

DLS12-MCT-277V

MCT



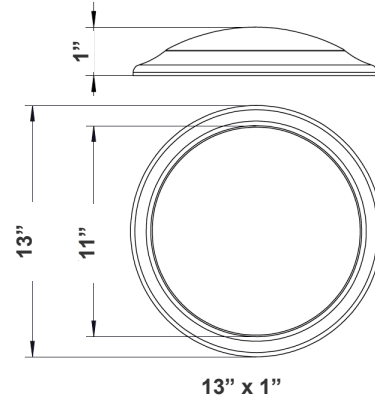
Disk lights have been designed to be a flexible lighting solution for retrofit and new construction applications, Ideal for closets, storage areas, attics, corridors, or general lighting solutions for residential and commercial applications.

Customer Name: \_\_\_\_\_

Project Name: \_\_\_\_\_

Note: \_\_\_\_\_

Type: \_\_\_\_\_



## Features

- Die-cast Aluminum. Powder-Coated
- Unique DOB (Driver On Board) LED Board Enclosed in Clear PC Cover for Better Wet Location Performance
- Closed Cell Neoprene Foam Gasket
- Multi CCT (Selectable Switch on LED Board under the Lens)

## Technical Specifications

### Electrical:

- Voltage: 277V AC
- Power Factor: >0.90
- Wattage: 30W
- Efficacy: 60 LPW

### Mechanical:

- White Finish
- Die-cast Aluminum. Powder-Coated
- Gasket: Closed Cell Neoprene Foam Gasket
- Fits on 4" Octagonal (4O) or 3" Octagonal (3O) Electrical Boxes
- Recessed Mounting Kit Included for Recessed/Retrofit Installation
- Maximum Ambient Temperature: 104°F
- Rated life: 50,000 hrs

### Lighting:

- Lens: White Translucent Acrylic
- LED: Unique DOB (Driver On Board) LED Board Enclosed in Clear PC Cover for Better Wet Location Performance
- Total Lumens: 1800LM
- Color Temperatures: 3000K/ 4000K/ 5000K
- Multi CCT (Selectable Switch on LED Board Under the Lens)
- Color Rendering Index: CRI ≥ 90
- 5-Year Warranty

### Applications:

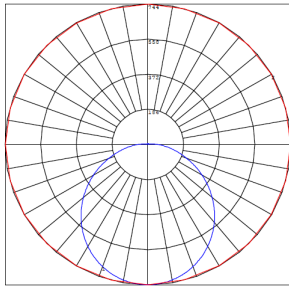
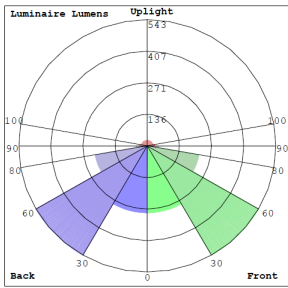
- Disk lights have been designed to be a flexible lighting solution for retrofit and new construction applications, Ideal for closets, storage areas, attics, corridors, or general lighting solutions for residential and commercial applications

### Other Models:

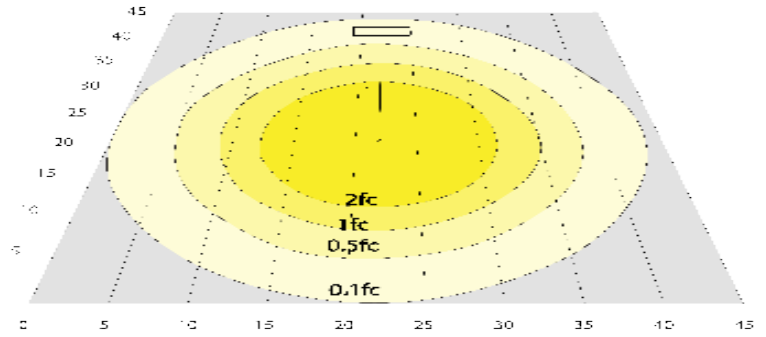
- 15W | 1000LM | DLS6-MCT-277V



**Photometrics:** DLS-12-MCT-277V



BUG Rating: B1-U2-G1

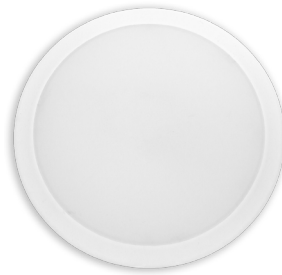


Simulation Based on 4000K Area 45'x 45' Mounting Height: 9'

**Other Views:**



Side View



Front View



Back View

**Performance Table:** DLS12-MCT

MODEL NO.	Wattage	Voltage	Lumens	Color Temp.	BUG Rating	LPW
DLS12-MCT-277V	30W	277V	1800LM	3000K/ 4000K/ 5000K	B1-U2-G1	60

**Sample Ordering**

Model	Color Temp.	Voltage
DLS12	MCT	277V

**MOUNTING KIT:**



Recessed Mounting Kit included

**Other Model:**



DLS12-MCT-PIR  
with PIR Motion Sensor



DLS12-MCT

