

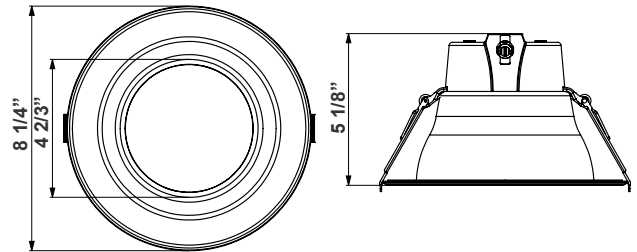
CRLE SERIES RESIDENTIAL LIGHTING

CRLE6-7-18W-MCTP-WH
BUILDER SERIES COMMERCIAL RECESS LIGHT

MCTP Multi Color Temperature & Multi Power/Wattage (Selectable)



Customer Name: _____
Project Name: _____
Note: _____ | Type: _____



8 1/4"(W) x 5 1/8"(H)

LED DOWNLIGHTS (SMOOTH TRIM) - 6" ROUND Ideal for New As Well As Old Residential And Commercial Constructions.

Features

- 6" Smooth Recessed Trim
- Multi CCT (Selectable Switch on the Back of the driver)
- Isolated Driver for Improved Thermal Management
- 5-Year Warranty
- Spun Aluminum with White Powder Coat Finish

Technical Specifications

Electrical:

- Voltage: 120-277V AC
- Output Voltage: 36VDC
- Power Factor: >0.90
- Wattage: 7W/10W/18W
- Efficacy: 100 LM/W
- Total Harmonic Distortion: ≤15 %

Mechanical:

- 2FT Flex Whip With Push-in Connector
- 16" Earthquake Safety Cable Incl.
- Mounting Options: Recessed
- Temperature Rating: Designed To Operate in Temperatures 113°F
- No IC-Rated
- Suitable For Damp Locations
- 5-Year Warranty

Lighting:

- MCTP: The Switch Is On The Light Engine
- Dimming: 0~10V Dimmable
- Total Lumens: 1800LM Max.
- Color Temperature: 3000K/3500K/4000K
- Color Rendering index: >80
- Beam Angle: 100°-110°
- Rated Life: 50,000 hrs

Applications:

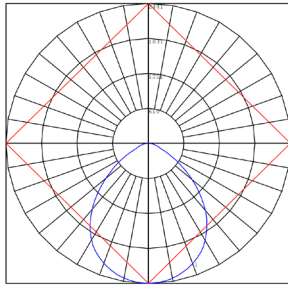
- LED recessed trims have been designed to be a flexible lighting solution for new construction applications, Ideal for closets, storage areas, attics, corridors, or general lighting solutions for residential and commercial applications

Other Models:

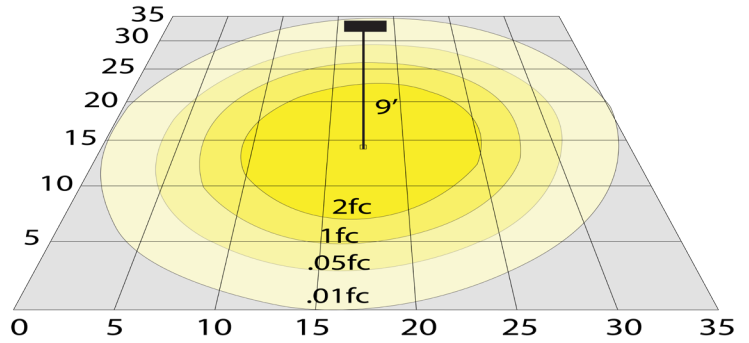
- 12W | 1200LM | CRLE4-5-12W-MCTP-WH



Photometrics: CRLE6-7-18W-MCTP-WH



BUG Rating: B1-U1-G0



18W 5000K, Area 35'x 35' Mounting Height: 9'

Other Views:



Side View



Front View



Back View

Performance Table: CRLE6-7-18W-MCTP-WH

MODEL NO.	Wattage	Voltage	Lumens	Color Temp.	BUG Rating	LPW
CRLE6-7-18W-MCTP-WH	7W	120V	700LM	3000K	B1-U1-G0	100
	10W		1000LM	4000K		
	18W		1800LM	5000K		

Sample Ordering

Model	Watt	Watt	Color Temp.	Finish				
CRLE6	=	7	=	18W	=	MCTP	=	WH

Accessories:

- Blank = No Option For Accessories
- CRLE-RI-TBAR-UNV = SNAP-IN COMM. RECESSED LIGHT UNIVERSAL TBAR PLATE
- CRLE-RI-UNV = SNAP-IN COMM. RECESSED LIGHT UNIVERSAL ROUGH-IN PLATE
- CRLE6-TRM-BK = 6" BLACK CLIP-ON TRIM
- CRLE6-TRM-BN = 6" BRUSHED NICKEL CLIP-ON TRIM
- RSL6-RI-13 = 6" ROUND ROUGH-IN PLATE, 13" LONG
- RSL6-RI = 6" ROUND ROUGH-IN PLATE, 26" LONG

Factory Installed-Option:

- Blank = No Option For Accessories
- OPT-EM-CRLE = EMERGENCY BACK UP BATTERY

ACCESSORIES:



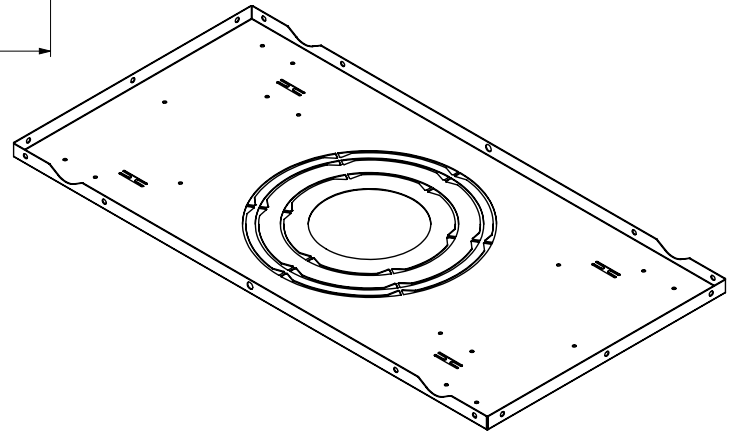
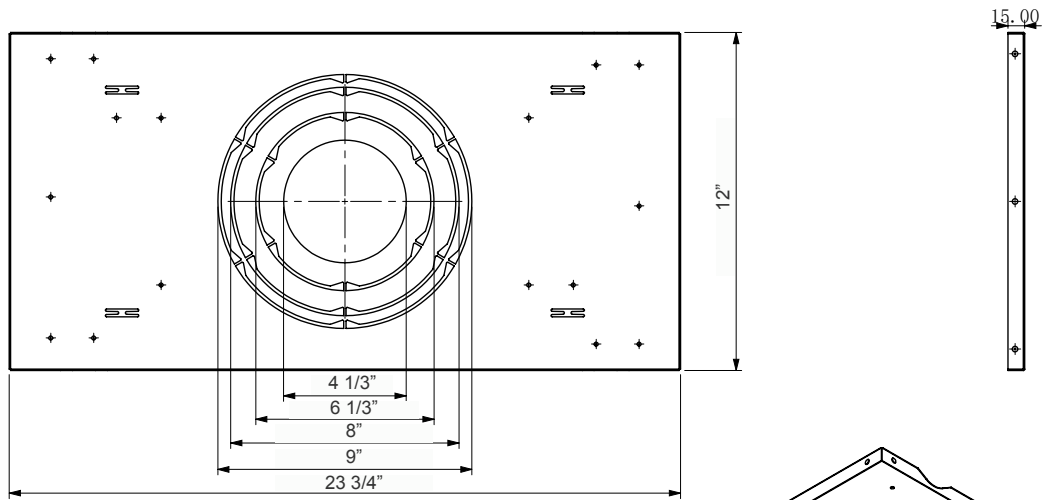
FACTORY INSTALLED OPTION:



OPT-EM-CRLE

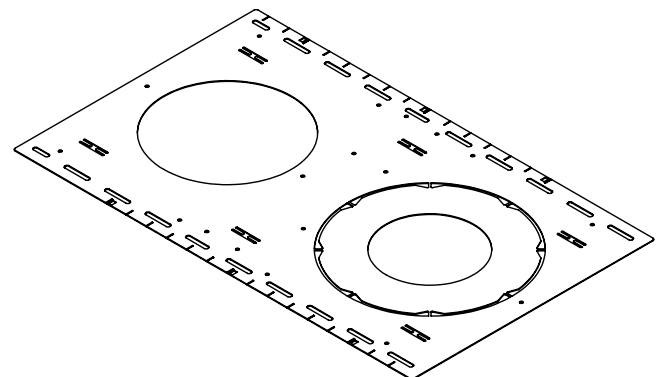
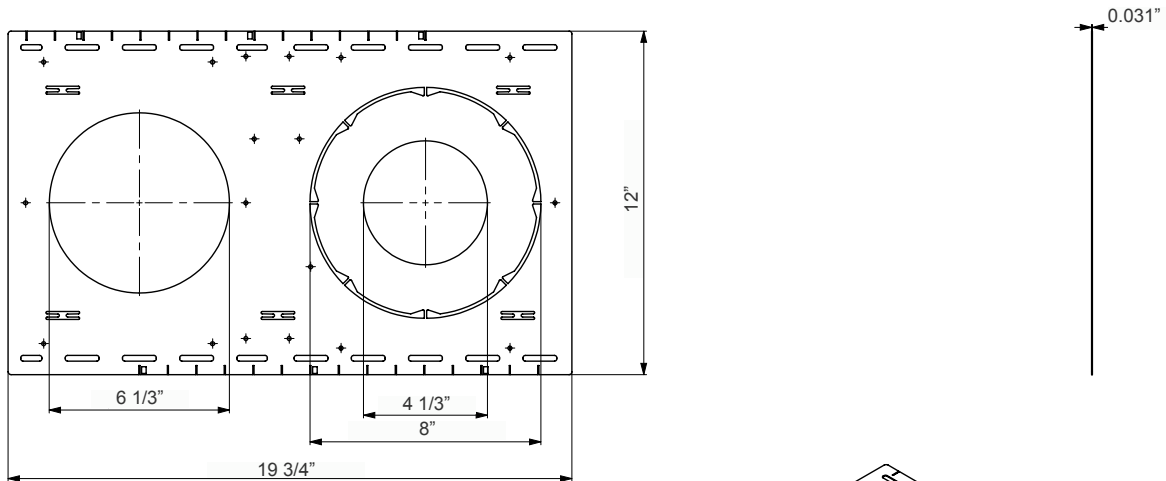


CRLE-RI-TBAR-UNV:



New Construction or Remodel Plate for T-grid Ceilings

CRLE-RI-UNV:



New Construction Plate for Stud/Joist

