

# CRLC SERIES COMMERCIAL INDOOR LIGHTING

**WESTGATE**  
THE FUTURE IS HERE...AND IT'S QUITE BRIGHT!

CRLC6-40W-MCTP-S-D  
CRLC6-40W-MCTP-S-D-WH  
6" LED COMMERCIAL SQUARE & OPEN RECESSED LIGHT

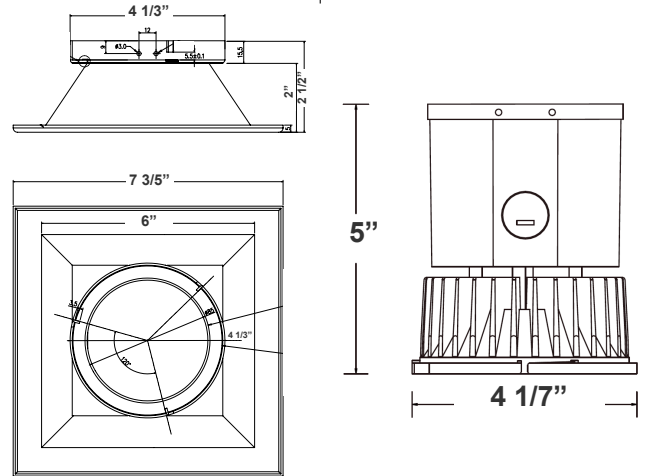


Ideal for hotel, offices, retail outlets, restaurant, parking garages, conference room, education facilities and more.

Customer Name: \_\_\_\_\_

Project Name: \_\_\_\_\_

Note: \_\_\_\_\_ Type: \_\_\_\_\_



7 1/2" (H) X 4 1/7" (W) X 7 3/5" (D)

## Features

- 6" Haze & White Finish TRIM
- MCTP: The switch is on the light engine
- Mounting Options: Recessed
- 5-Year Warranty
- Lifespan: 50,000 hrs.

## Technical Specifications

### Electrical:

- Voltage: 120-277V AC 50/60Hz
- Wattage: 27W/34W/40W
- Power factor: >0.90
- Efficacy: 80 LPW

### Mechanical:

- 6" Haze & White Finish TRIM
- Mounting Options: Recessed
- Temperature Rating: Designed to operate in temperatures 113°F
- No IC-Rated
- Suitable for Damp Locations
- 5-Year Warranty

### Lighting:

- MCTP: The switch is on the light engine
- Dimming: 0~10V Dimmable
- Total lumens: 3200LM Max.
- Color temperature: 3000K/3500K/4000K
- Color rendering index: >80
- Lifespan: 50,000 hrs.

### Applications:

- Ideal for hotel, offices, retail outlets, restaurant, parking garages, conference room, education facilities and more.

### Other Models:

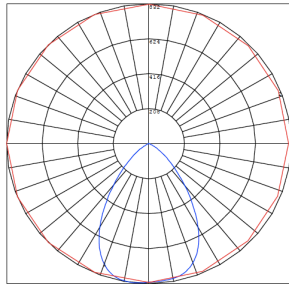
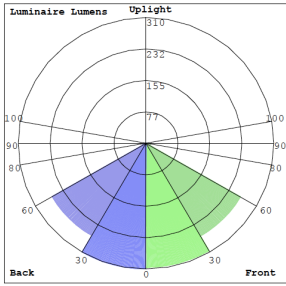
- 40W | 3200LM | CRLC6-40W-MCTP-S-D
- 40W | 3200LM | CRLC6-40W-MCTP-S-D-WH



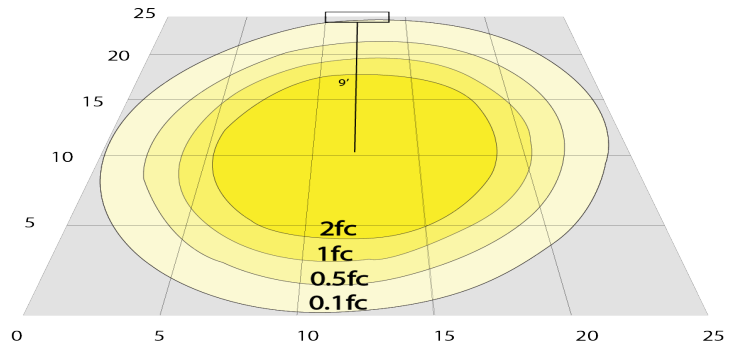
Phone: (877) 805-2252 | Fax: (877) 805-2252  
www.westgatemfg.com



## Photometrics: CRLC6-40W-MCTP-S-D

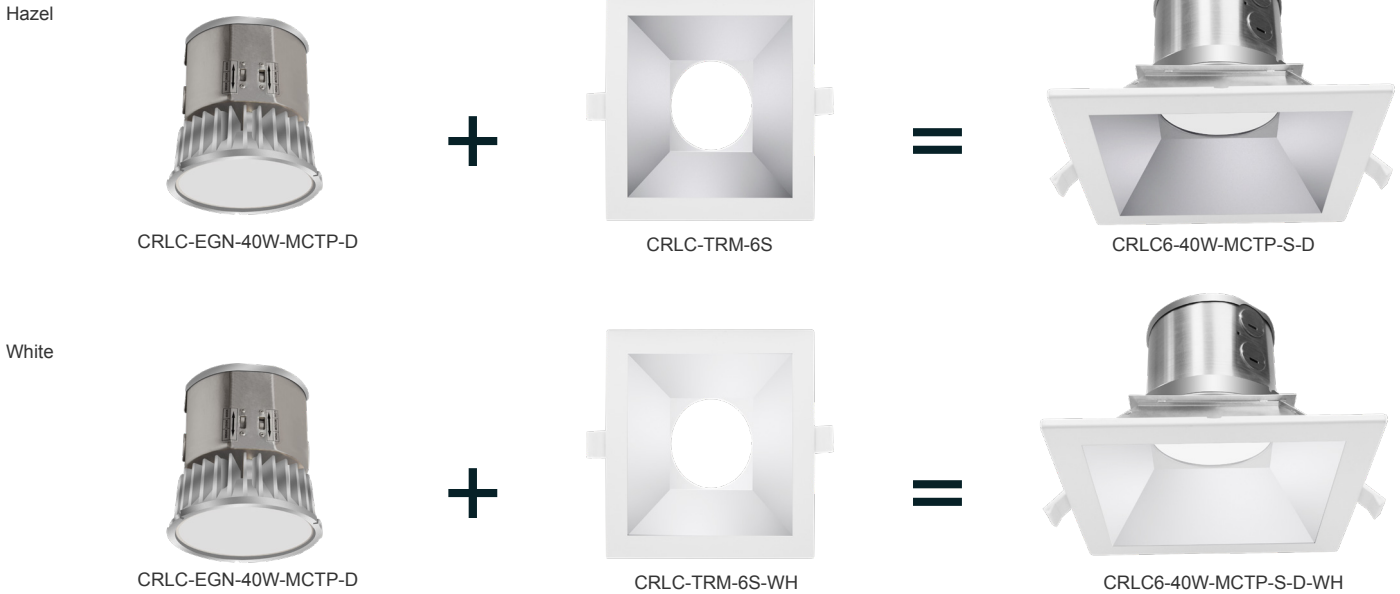


BUG Rating: B1-U1-G0



20W 5000K, Area 25" x 25" Mounting Height: 9'

## Other Views:



## Performance Table: CRLC6-40W-MCTP-S-D

MODEL NO.	Wattage	Voltage	Lumens	Color Temp.	BUG Rating	LPW
CRLC6-40W-MCTP-SA-D	27W	120-277V	2160LM	3000K	B1-U1-G0	80
CRLC6-40W-MCTP-SA-D-WH	34W		2720LM	3500K		
	40W		3200LM	4000K		

## Sample Ordering

Model Watt Color Temp. Shape Dimming Housing

CRLC6 - 20W - MCTP - S - D -

Blank  
WH = WHITE

## Factory-Installed Option:

Blank = No Option For Accessories  
OPT-EM-HB1EXT = EXTERNAL EMERGENCY BACK UP BATTERY

## Factory-Installed Option:



OPT-EM-HB1EXT  
EXTERNAL EMERGENCY  
BACK UP BATTERY

## Example:

- CRLC6-40W-MCTP-S-D (FOR 40W CRLC6 MCTP 120-277V)
- CRLC6-40W-MCTP-S-D OPT-EM-HB1EXT (FOR 40W CRLC6 MCTP 120-277V) (EXTERNAL EMERGENCY BACK UP BATTERY)

