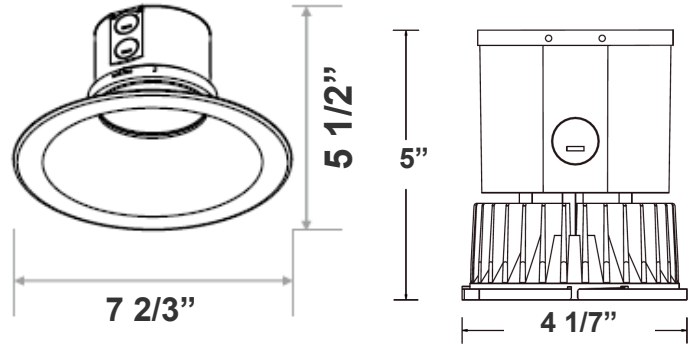


CRLC SERIES COMMERCIAL INDOOR LIGHTING

WESTGATE
THE FUTURE IS HERE...AND IT'S QUITE BRIGHT!

CRLC6-40W-MCTP-D
CRLC6-40W-MCTP-D-WH
6" LED COMMERCIAL RECESSED LIGHT

Customer Name: _____
Project Name: _____
Note: _____ | Type: _____



10 1/2" (L) X 7 2/3" (D)

Ideal for hotel, offices, retail outlets, restaurant, parking garages, conference room, education facilities and more.

Features

- 6" Haze & White Finish TRIM
- MCTP: The switch is on the light engine
- Mounting Options: Recessed
- 5-Year Warranty
- Lifespan: 50,000 hrs.

Technical Specifications

Electrical:

- Voltage: 120-277VAC 50/60Hz
- Wattage: 27W/34W/40W
- Power factor: >0.90
- Efficacy: 85 LPW

Mechanical:

- 6" Haze & White Finish TRIM
- Mounting Options: Recessed
- Temperature Rating: Designed to operate in temperatures 113°F
- No IC-Rated
- Suitable for Damp Locations
- 5-Year Warranty

Lighting:

- MCTP: The switch is on the light engine
- Dimming: 0~10V Dimmable
- Total lumens: 3200LM Max.
- Color temperature: 3000K/3500K/4000K
- Color rendering index: >80
- Lifespan: 50,000 hrs.

Applications:

- Ideal for hotel, offices, retail outlets, restaurant, parking garages, conference room, education facilities and more.

Other Models:

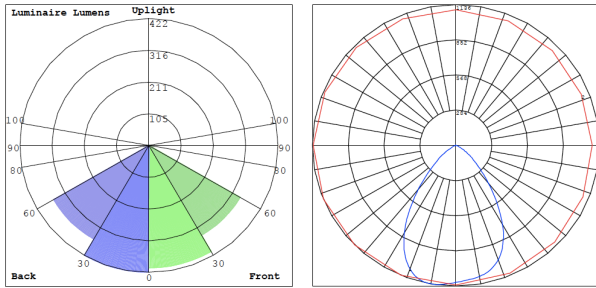
- 40W | 3200LM | CRLC6-40W-MCTP-D
- 40W | 3200LM | CRLC6-40W-MCTP-D-WH



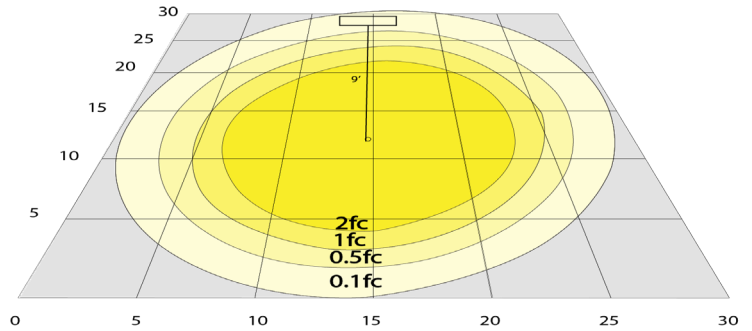
Phone: (877) 805-2252 | Fax: (877) 805-2252
www.westgatemfg.com



Photometrics: CRLC6-40W-MCTP-D



BUG Rating: B1-U1-G0



20W 5000K, Area 30" x 30" Mounting Height: 9'

Other Views:

Hazel



CRLC-EGN-40W-MCTP-D



CRLC-TRM-6



CRLC6-40W-MCTP-D

White



CRLC-EGN-40W-MCTP-D



CRLC-TRM-6-WH



CRLC6-40W-MCTP-D-WH

Performance Table: CRLC6-40W-MCTP-D

MODEL NO.	Wattage	Voltage	Lumens	Color Temp.	BUG Rating	LPW
CRLC6-40W-MCTP-D	27W	120-277V	2160LM	3000K	B1-U1-G0	80
CRLC6-40W-MCTP-D-WH	34W		2720LM	3500K		
	40W		3200LM	4000K		

Sample Ordering

Model Watt Color Temp. Dimming Housing

CRLC6 - 40W - MCTP - D -

Blank
WH = WHITE

Accessory:

Blank = No Option For Accessories

RSL6-RI = 6" ROUND ROUGH-IN PLATE, 26" LONG

RSL6-RI-13 = 6" ROUND ROUGH-IN PLATE, 13" LONG

Factory-Installed Option:

Blank = No Option For Accessories

OPT-EM-HB1EXT = EXTERNAL EMERGENCY BACK UP BATTERY

Example:

1. CRLC6-40W-MCTP-D (FOR 40W CRLC6 MCTP 120-277V)

1. CRLC6-40W-MCTP-D (FOR 40W CRLC6 MCTP 120-277V)
OPT-EM-HB1EXT (EXTERNAL EMERGENCY BACK UP BAT-

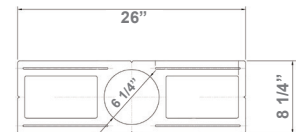
Accessory:



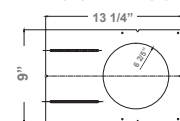
RSL6-RI
6" ROUND ROUGH-IN
PLATE, 26" LONG



RSL6-RI-13
6" ROUND ROUGH-IN
PLATE, 13" LONG



RSL6-RI
26" (W) x 8 1/4" (H)



RSL6-RI-13
13 1/4" (W) x 9" (H)

Factory-Installed Option:



OPT-EM-HB1EXT
EXTERNAL EMERGENCY
BACK UP BATTERY

