

CRLC SERIES COMMERCIAL INDOOR LIGHTING

WESTGATE
THE FUTURE IS HERE...AND IT'S QUITE BRIGHT!

CRLC6-40W-MCTP-D

CRLC6-40W-MCTP-D-WH

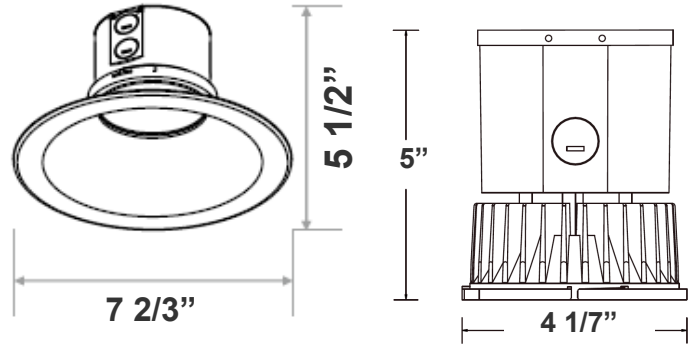
6" LED COMMERCIAL RECESSED LIGHT

Customer Name: _____

Project Name: _____

Note: _____

Type: _____



10 1/2" (L) X 7 2/3" (D)

Ideal for hotel, offices, retail outlets, restaurant, parking garages, conference room, education facilities and more.

Features

- 6" Haze & White Finish TRIM
- MCTP: The Switch Is On The Light Engine
- Mounting Options: Recessed
- 5-Year Warranty
- Lifespan: 50,000 hrs.

Technical Specifications

Electrical:

- Voltage: 120-277VAC 50/60Hz
- Wattage: 27W/34W/40W
- Power Factor: >0.90
- Efficacy: 85 LPW

Mechanical:

- 6" Haze & White Finish TRIM
- Mounting Options: Recessed
- Temperature Rating: Designed To Operate In Temperatures 113°F
- Housing Not Required. Two Spring Clips To Hold The Fixture In Place
- No IC-Rated
- Suitable for Damp Locations
- 5-Year Warranty

Lighting:

- MCTP: The Switch Is On The Light Engine
- Dimming: 0~10V Dimmable
- Total Lumens: 3200LM Max.
- Color Temperature: 3000K/3500K/4000K
- Color Rendering index: >80
- Lifespan: 50,000 hrs.

Applications:

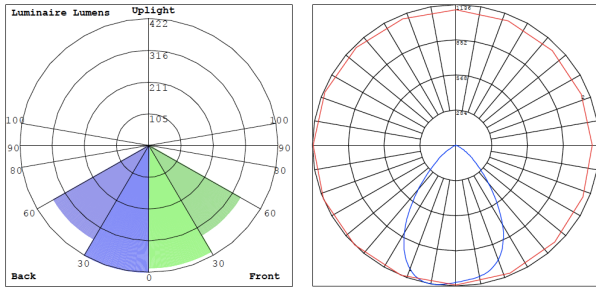
- Ideal for hotel, offices, retail outlets, restaurant, parking garages, conference room, education facilities and more.



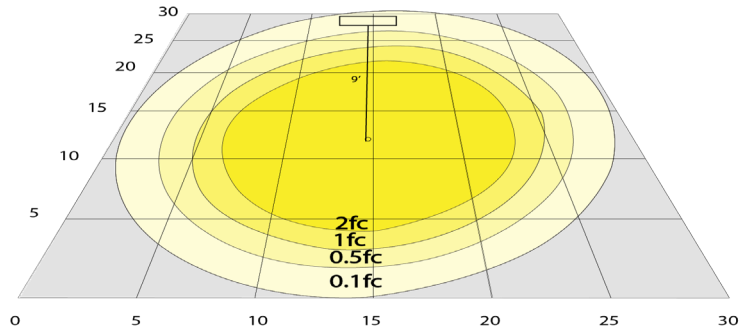
Phone: (877) 805-2252 | Fax: (877) 805-2252
www.westgatemfg.com



Photometrics: CRLC6-40W-MCTP-D



BUG Rating: B1-U1-G0



20W 5000K, Area 30" x 30" Mounting Height: 9'

Other Views:

Hazel



CRLC-EGN-40W-MCTP-D



CRLC-TRM-6



CRLC6-40W-MCTP-D

White



CRLC-EGN-40W-MCTP-D



CRLC-TRM-6-WH



CRLC6-40W-MCTP-D-WH

Performance Table: CRLC6-40W-MCTP-D

MODEL NO.	Wattage	Voltage	Lumens	Color Temp.	BUG Rating	LPW
CRLC6-40W-MCTP-D	27W	120-277V	2160LM	3000K	B1-U1-G0	80
CRLC6-40W-MCTP-D-WH	34W		2720LM	3500K		
	40W		3200LM	4000K		

Sample Ordering

Model **Watt** **Color Temp.** **Dimming** **Housing**
 - - - -

Blank
WH = WHITE

Accessory:

Blank = No Option For Accessories
 CRLC-468-RIBH-JB = CRLC Series Mounting Plate With Brackets And J-Box 4/6/8 in

Factory-Installed Option:

Blank = No Option For Accessories
 OPT-EM-CRLC = EXTERNAL EMERGENCY BACK UP BATTERY

Accessory:



CRLC-468-RIBH-JB
 CRLC Series Mounting Plate With Brackets
 And J-Box 4/6/8 in

Factory-Installed Option:



OPT-EM-CRLC
 EXTERNAL EMERGENCY
 BACK UP BATTERY

