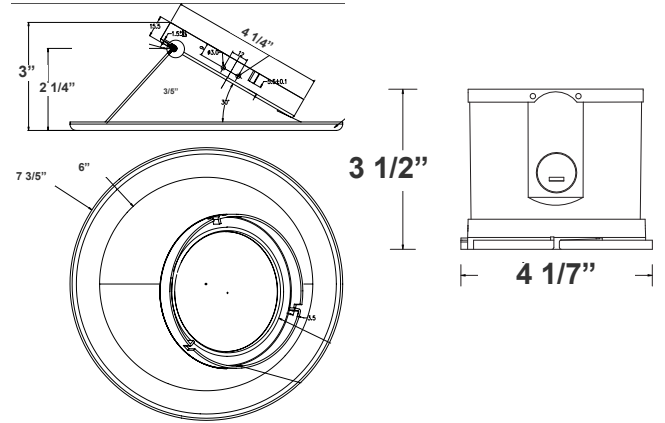


CRLC SERIES COMMERCIAL INDOOR LIGHTING

WESTGATE
THE FUTURE IS HERE...AND IT'S QUITE BRIGHT!

CRLC6-15W-MCT-A-D
CRLC6-15W-MCT-A-D-WH
6" LED COMMERCIAL RECESSED LIGHT

Customer Name: _____
Project Name: _____
Note: _____ | Type: _____



6 1/2" (H) X 4 1/7" (W) X 7 3/5" (D)

Ideal for hotel, offices, retail outlets, restaurant, parking garages, conference room, education facilities and more.

Features

- 6" Haze & White Finish TRIM
- MCT: The Switch Is On The Light Engine
- Mounting Options: Recessed
- 5-Year Warranty
- Lifespan: 50,000 hrs.

Technical Specifications

Electrical:

- Voltage: 120-277VAC 50/60Hz
- Wattage: 15W
- Power Factor: >0.90
- Efficacy: 85 LPW

Mechanical:

- 4" Haze & White Finish TRIM
- Mounting Options: Recessed
- Temperature Rating: Designed to operate in Temperatures 113°F
- Housing Not Required. Two Spring Clips To Hold The Fixture In Place
- No IC-Rated
- Suitable for Damp Locations
- 5-Year Warranty

Lighting:

- MCT: The Switch Is On The Light Engine
- Dimming: 0~10V Dimmable
- Total Lumens: 1275LM
- Color Temperature: 3000K/4000K/5000K
- Color Rendering index: >80
- Lifespan: 50,000 hrs.

Applications:

- Direct Fit 4 T8 LED tubes do not burn out easily and provide bright and even lighting to schools, office spaces, retail stores and storage rooms.

Other Models:

- 20W | 1720LM | CRLC6-20W-MCT-A-D
- 20W | 1720LM | CRLC6-20W-MCT-A-D-WH

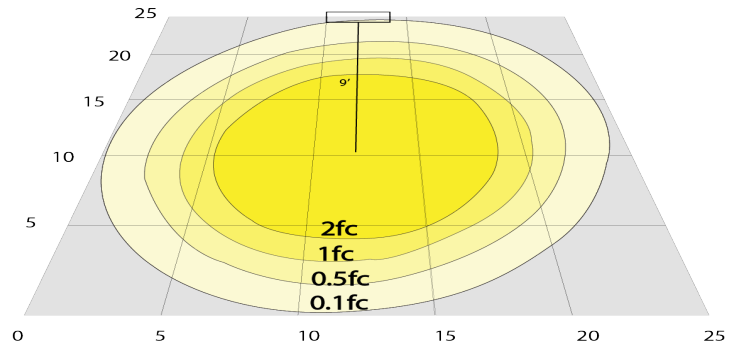
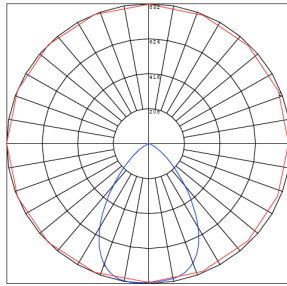


Phone: (877) 805-2252 | Fax: (877) 805-2252
www.westgatemfg.com



WG-Z7-2D-22

Photometrics: CRLC6-15W-MCT-A-D



BUG Rating: B1-U1-G0

15W 5000K, Area 25" x 25" Mounting Height: 9"

Other Views:

Hazel



CRLC-EGN-15W-MCT-D



CRLC-TRM-6A



CRLC6-15W-MCT-A-D

White



CRLC-EGN-15W-MCT-D



CRLC-TRM-6A-WH



CRLC6-15W-MCT-A-D-WH

Performance Table: CRLC6-15W-MCT-A-D

MODEL NO.	Wattage	Voltage	Lumens	Color Temp.	BUG Rating	LPW
CRLC6-15W-MCT-A-D	15W	120-277V	1275LM	3000K	B1-U1-G0	85
CRLC6-15W-MCT-A-D-WH				4000K 5000K		

Sample Ordering

Model Watt Color Temp. Dimming Housing

CRLC6 - 15W - MCT - A - D -

Accessory:

Blank = No Option For Accessories
 RSL6-RI = 6" ROUND ROUGH-IN PLATE, 26" LONG
 RSL6-RI-13 = 6" ROUND ROUGH-IN PLATE, 13" LONG

Factory-Installed Option:

Blank = No Option For Accessories
 OPT-EM-HB1EXT = EXTERNAL EMERGENCY BACK UP BATTERY

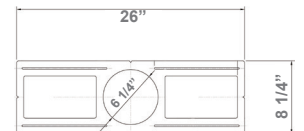
Example:

- CRLC6-15W-MCT-A-D (FOR 15W CRLC6 MCT 120-277V)
- CRLC6-15W-MCT-A-D OPT-EM-HB1EXT (FOR 15W CRLC6 MCT 120-277V) (EXTERNAL EMERGENCY BACK UP BATTERY)

Accessory:



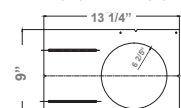
RSL6-RI
6" ROUND ROUGH-IN PLATE, 26" LONG



RSL6-RI
26"(W) x 8 1/4"(H)



RSL6-RI-13
6" ROUND ROUGH-IN PLATE, 13" LONG



RSL6-RI-13
13 1/4"(W) x 9"(H)

Factory-Installed Option:



OPT-EM-HB1EXT
EXTERNAL EMERGENCY BACK UP BATTERY

