

# CRLC SERIES COMMERCIAL INDOOR LIGHTING

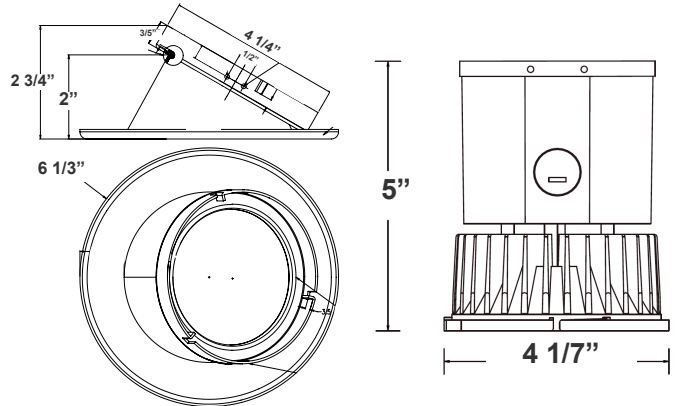
**WESTGATE**  
THE FUTURE IS HERE...AND IT'S QUITE BRIGHT!

CRLC4-40W-MCTP-A-D  
CRLC4-40W-MCTP-A-D-WH  
4" LED COMMERCIAL RECESSED LIGHT

Customer Name: \_\_\_\_\_

Project Name: \_\_\_\_\_

Note: \_\_\_\_\_ | Type: \_\_\_\_\_



7 3/4" (H) X 4 1/7" (W) X 6 1/3" (D)

Ideal for hotel, offices, retail outlets, restaurant, parking garages, conference room, education facilities and more.

## Features

- 4" Haze & White Finish TRIM
- MCTP: The switch is on the light engine
- Mounting Options: Recessed
- 5-Year Warranty
- Lifespan: 50,000 hrs.

## Technical Specifications

### Electrical:

- Voltage: 120-277VAC 50/60Hz
- Wattage: 20W
- Power factor: >0.90
- Efficacy: 80 LPW

### Mechanical:

- 4" Haze & White Finish TRIM
- Mounting Options: Recessed
- Temperature Rating: Designed to operate in temperatures 113°F
- No IC-Rated
- Suitable for Damp Locations
- 5-Year Warranty

### Lighting:

- MCTP: The switch is on the light engine
- Dimming: 0~10V Dimmable
- Total lumens: 1720LM
- Color temperature: 3000K/4000K/5000K
- Color rendering index: >80
- Lifespan: 50,000 hrs.

### Applications:

- Ideal for hotel, offices, retail outlets, restaurant, parking garages, conference room, education facilities and more.

### Other Models:

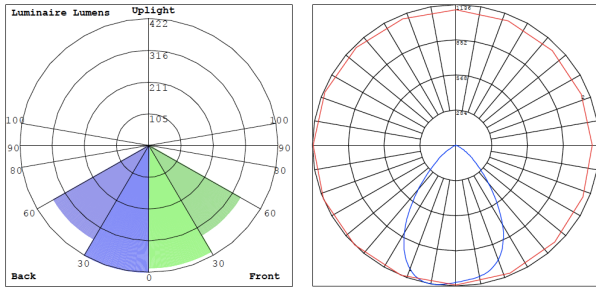
- 40W | 3200LM | CRLC4-40W-MCTP-D
- 40W | 3200LM | CRLC4-40W-MCTP-D-WH



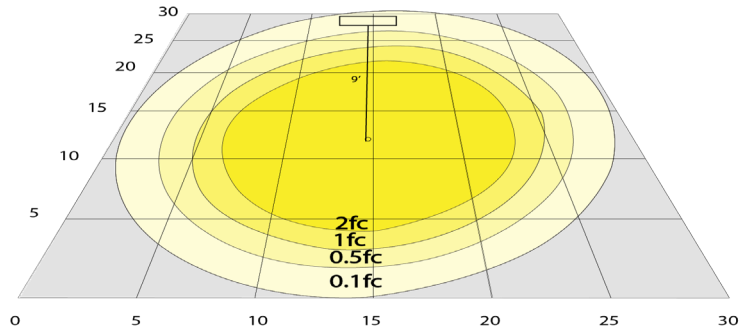
Phone: (877) 805-2252 | Fax: (877) 805-2252  
www.westgatemfg.com



## Photometrics: CRLC4-40W-MCTP-A-D



BUG Rating: B1-U1-G0



20W 5000K, Area 30" x 30" Mounting Height: 9'

## Other Views:

Hazel



CRLC-EGN-40W-MCTP-D

+



CRLC-TRM-4A

=



CRLC4-20W-MCT-A-D

White



CRLC-EGN-40W-MCTP-D

+



CRLC-TRM-4A-WH

=



CRLC4-15W-MCT-A-D-WH

## Performance Table: CRLC4-40W-MCTP-A-D

MODEL NO.	Wattage	Voltage	Lumens	Color Temp.	BUG Rating	LPW
CRLC4-40W-MCTP-A-D	27W	120-277V	2160LM	3000K	B1-U1-G0	80
CRLC4-40W-MCTP-A-D-WH	34W		2720LM	3500K		
	40W		3200LM	4000K		

## Sample Ordering

Model Watt Color Temp. Dimming Housing

CRLC4 - 40W - MCTP - A - D -

Blank  
WH = WHITE

### Accessory:

Blank = No Option For Accessories  
CRLC-468-RIBH-JB = CRLC Series Mounting Plate With Brackets And J-Box 4/6/8 in

### Factory-Installed Option:

Blank = No Option For Accessories  
OPT-EM-CRLC = EXTERNAL EMERGENCY BACK UP BATTERY

### Accessory:

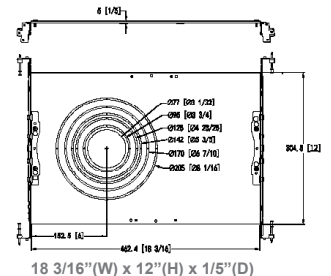


CRLC-468-RIBH-JB  
CRLC Series Mounting Plate With Brackets  
And J-Box 4/6/8 in

### Factory-Installed Option:



OPT-EM-CRLC  
EXTERNAL EMERGENCY  
BACK UP BATTERY



18 3/16" (W) x 12" (H) x 1/5" (D)

