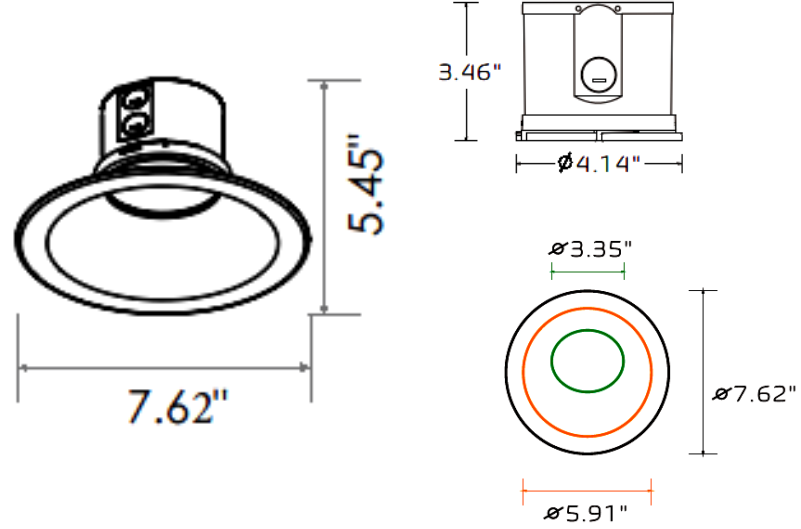


**DIMENSIONS:**



- CRLC6-15W-30K-A-D    CRLC6-15W-30K-A-D-WH
- CRLC6-15W-40K-A-D    CRLC6-15W-40K-A-D-WH
- CRLC6-15W-50K-A-D    CRLC6-15W-50K-A-D-WH

**6" LED COMMERCIAL RECESSED LIGHT**

Ideal for hotel, offices, retail outlets, restaurant, parking garages, conference room, education facilities and more.

**ELECTRICAL SPECIFICATIONS:**

- Voltage: 120-277VAC 50/60Hz
- Wattage: 15W
- Power factor: >0.90
- Efficacy: 80~85LM/W

**HOUSING SPECIFICATIONS:**

- 6" Haze & White Finish TRIM
- Mounting Options: Recessed
- Temperature Rating: Designed to operate in temperatures 113°F
- No IC-Rated
- Lifespan: 50,000 hrs.
- Suitable for Damp Locations

**CERTIFICATIONS: UL**



MODEL	WATTS	VOLTAGE	LUMENS	COLOR TEMP	FINISH
CRLC6-15W-30K-A-D	15W	120~277VAC	1200LM	3000K	HAZE
CRLC6-15W-40K-A-D	15W	120~277VAC	1245LM	4000K	HAZE
CRLC6-15W-50K-A-D	15W	120~277VAC	1275LM	5000K	HAZE
CRLC6-15W-30K-A-D-WH	15W	120~277VAC	1200LM	3000K	WHITE
CRLC6-15W-40K-A-D-WH	15W	120~277VAC	1245LM	4000K	WHITE
CRLC6-15W-50K-A-D-WH	15W	120~277VAC	1275LM	5000K	WHITE

**LIGHTING SPECIFICATIONS:**

- Dimming: 0~10V Dimmable
- Recommended Dimmers: DVTV(LUTRON),IP710(LEVITON)
- Total lumens: 1200~1275LM
- Color temperature: 5000K/4000K/3000K
- Color rendering index: >80

**WARRANTY: 5 years**



JOB NAME: \_\_\_\_\_

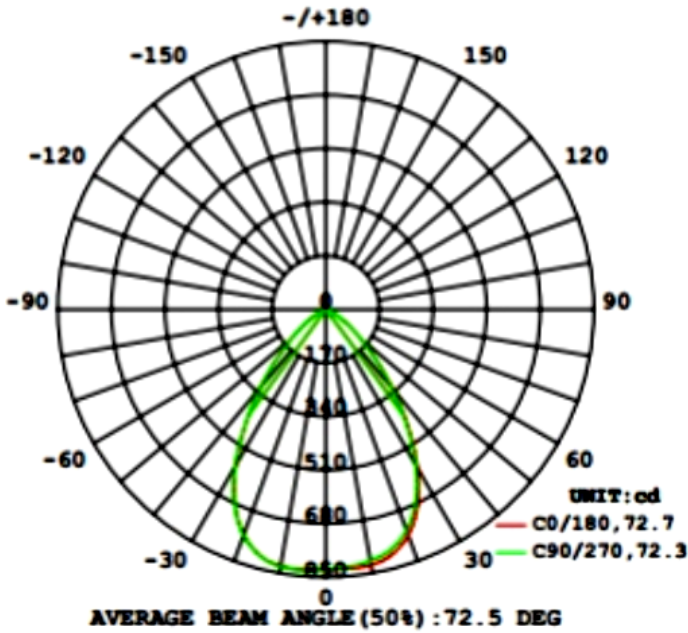
DATE: \_\_\_\_\_

TYPE: \_\_\_\_\_

CRLC6-15W-30K-A-D    CRLC6-15W-30K-A-D-WH  
 CRLC6-15W-40K-A-D    CRLC6-15W-40K-A-D-WH  
 CRLC6-15W-50K-A-D    CRLC6-15W-50K-A-D-WH

## 6" LED COMMERCIAL RECESSED LIGHT

### PHOTOMETRY CHART:



MODEL	WATTS	VOLTAGE	LUMENS	COLOR TEMP	FINISH
CRLC6-15W-30K-A-D	15W	120~277VAC	1200LM	3000K	HAZE
CRLC6-15W-40K-A-D	15W	120~277VAC	1245LM	4000K	HAZE
CRLC6-15W-50K-A-D	15W	120~277VAC	1275LM	5000K	HAZE
CRLC6-15W-30K-A-D-WH	15W	120~277VAC	1200LM	3000K	WHITE
CRLC6-15W-40K-A-D-WH	15W	120~277VAC	1245LM	4000K	WHITE
CRLC6-15W-50K-A-D-WH	15W	120~277VAC	1275LM	5000K	WHITE

### TWO WAYS TO ORDER :



COMPLETE UNIT

=



15W ENGINE

+



6" TRIM  
(HAZE & WHITE)

1.ORDER COMPLETE UNIT	2.ORDER ENGINE & TRIM SEPARATELY	
	ENGINE	TRIM
CRLC6-15W-30K-A-D	CRLC-ENG-15W-30K-D +	CRLC-TRM-6A
CRLC6-15W-40K-A-D	CRLC-ENG-15W-40K-D +	CRLC-TRM-6A
CRLC6-15W-50K-A-D	CRLC-ENG-15W-50K-D +	CRLC-TRM-6A
CRLC6-15W-30K-A-D-WH	CRLC-ENG-15W-30K-D +	CRLC-TRM-6A-WH
CRLC6-15W-40K-A-D-WH	CRLC-ENG-15W-40K-D +	CRLC-TRM-6A-WH
CRLC6-15W-50K-A-D-WH	CRLC-ENG-15W-50K-D +	CRLC-TRM-6A-WH

