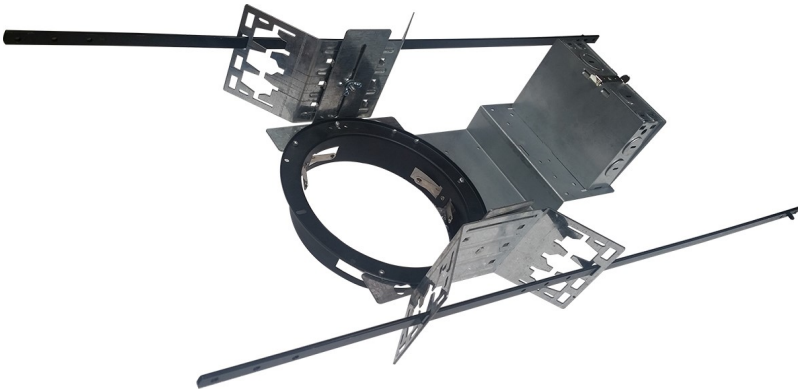


JOB NAME: \_\_\_\_\_

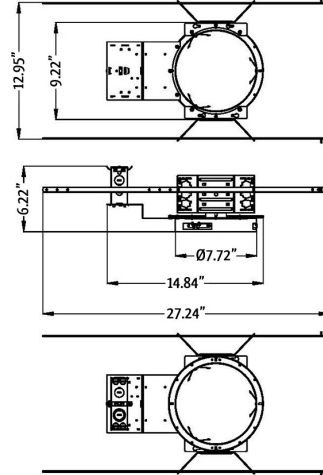
DATE: \_\_\_\_\_

TYPE: \_\_\_\_\_



**DIMENSIONS:**

27.24"(L) x 12.95"(W) x 6.22"(H)



**CRL-HSG-8**

**COMMERCIAL RECESSED LIGHT HOUSING**

| MODEL     | DESCRIPTION                              |
|-----------|--|
| CRL-HSG-8 | 8" HOUSING FOR COMMERCIAL RECESSED LIGHT |

The 4-inch housing fits  $\varnothing 7.7"$ ~ $\varnothing 8.4"$  mounting frame diameters.

**HOUSING SPECIFICATIONS:**

- Extruded Aluminum
- Haze finish

