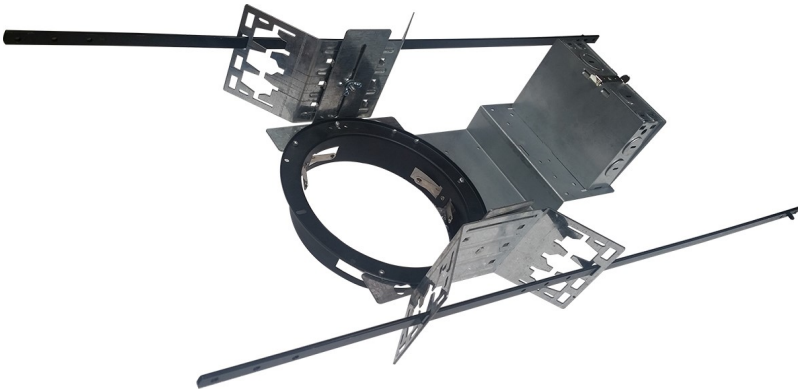


JOB NAME: _____

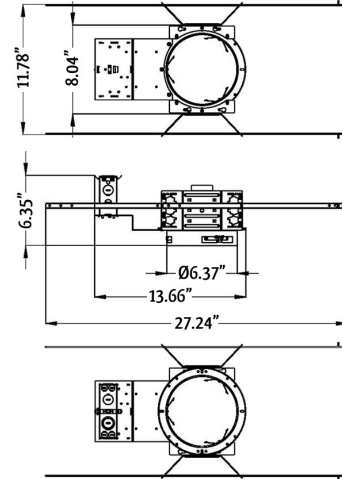
DATE: _____

TYPE: _____



DIMENSIONS:

27.24"(L) x 11.78"(W) x 6.35"(H)



CRL-HSG-6

COMMERCIAL RECESSED LIGHT HOUSING

MODEL	DESCRIPTION
CRL-HSG-6	6" HOUSING FOR COMMERCIAL RECESSED LIGHT

The 6-inch housing fits $\varnothing 6"$ ~ $\varnothing 6.7"$ mounting frame diameters.

HOUSING SPECIFICATIONS:

- Extruded Aluminum
- Haze finish

