

# CL-HL SERIES

Industrial Lighting

**WESTGATE**  
THE FUTURE IS HERE...AND IT'S QUITE BRIGHT!

CL-HL-300W-50K-E39

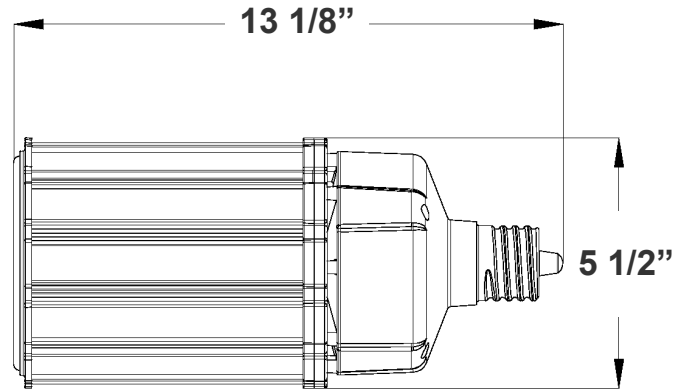


Customer Name: \_\_\_\_\_

Project Name: \_\_\_\_\_

Note: \_\_\_\_\_

Type: \_\_\_\_\_



13 1/8"(H) x 5 1/2"(W)

LED Corn Lamp suitable for supermarkets, warehouses, garages, home, offices, hotels, hospitals, schools, high bay retrofitting

## Features

- Lamp base: E39 Mogul Base
- 5-Year Warranty
- Housing: PC + Aluminum
- 50,000 Hours Rated Life

## Technical Specifications

### Electrical:

- Voltage: 120-277V AC 50/60Hz
- Wattage: 300W
- Power Factor: >0.9
- AC Direct / Bypass Existing Ballast
- THD: ≤20%
- Efficacy: 145 LPW

### Lighting:

- LED SMD type: Edison 2835
- Total Lumens: 43500LM
- Color Temperatures: 5000K
- Color Rendering Index: CRI ≥ 80
- Beam Angle: 360°
- Replacement Range: 800W HID

### Mechanical:

- Lamp base: E39 Mogul Base
- PC and Aluminum housing and Sealant pouring for
- Lamp plastic housing and Sealant pouring for whole driver
- Do not use the lamps in enclosed fixtures
- Operating temperature: -40°F to 176°F
- Suitable for damp location

### Applications:

- LED Corn Lamp suitable for supermarkets, warehouses, garages, home, offices, hotels, hospitals, schools, highbay retrofitting

## Other Models:

- 200W | 28000LM | CL-HL-200W-50K-E39
- 300W | 43500LM | CL-HL-300W-50K-E39

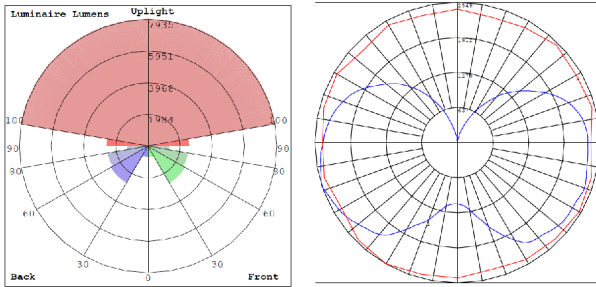


Phone: (877) 805-2252 | Fax: (877) 805-2252  
www.westgatemfg.com

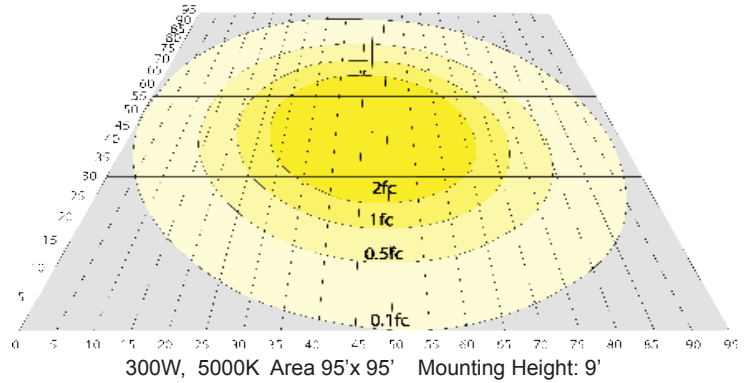


WG-Z6-Z9-ZZ

## Photometrics: CL-HL-300W-50K-E39



BUD Rating: B3-U5-G5



## Performance Table: CL-HL-300W-50K-E39

MODEL NO.	Wattage	Voltage	Lumens	Color Temp.	BUG Rating	LPW
CL-HL-300W-50K-E39	300W	120~277V	43500LM	5000K	B3-U5-G5	145

## Sample Ordering

Model    Size    Wattage    Color Temp.    Base

CL - EHL - 300W -  - E39  
50K = 5000K

## Accessory:

Blank = No Option For Accessories

## Example:

1. CL-EHL-300W-50K-E39      (FOR CL EHL 300W 50K FIXTURE 120-277V)

