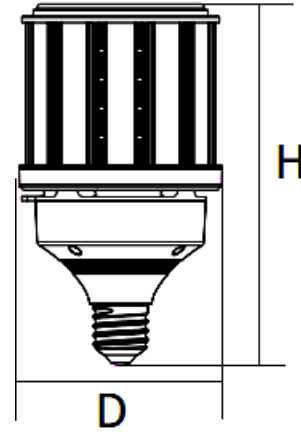


Improved heat sink
LED on the bottom as well to provide 360° illumination



CL-HL-125W-50K-E39 CL-HL-125W-30K-E39

LED CORN LAMPS

Ideal for retrofitting existing HID highbay, shoebox, flood light or wall pack fixtures.

ELECTRICAL SPECIFICATIONS:

- Voltage: 120~277VAC, 50/60Hz
- Wattage: 125W
- Power factor: 0.90
- Efficacy: 130LM/W

HOUSING SPECIFICATIONS:

- Improved heat sink, No fan
- Led on the bottom as well to reach 360° beam angle
- Lamp plastic housing and Sealant pouring for whole driver
- Lamp plastic housing and Sealant pouring for whole driver
- Operating temperature: -4°F to 149°F
- Suitable for damp location

CERTIFICATIONS: UL, DLC



MODEL	WATTS	VOLTAGE	LUMENS	COLOR TEMP
CL-HL-125W-50K-E39	125W	120~277VAC	16250LM	5000K
CL-HL-125W-30K-E39	125W	120~277VAC	16250LM	3000K



E39-REDUCER

MODEL	DESCRIPTION
E39-REDUCER	REDUCES E39 BULB TO BE USED IN E26 SOCKET

LIGHTING SPECIFICATIONS:

- Lamp Base: E39 Mogul Base
- Total lumens: 16250LM
- Color temperature: 5000K/3000K
- Color rendering index: >80
- Beam angle: 360°

WARRANTY: 5 years

