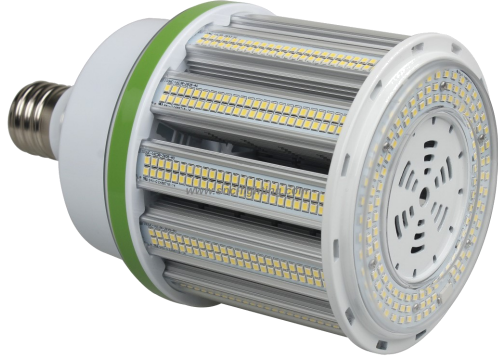


JOB NAME: _____

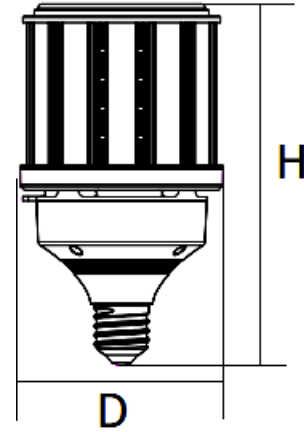
DATE: _____

TYPE: _____



DIMENSIONS:

9.88"(H) x 5.74"(D)



CL-HL-100W-50K-E39 CL-HL-100W-30K-E39

LED CORN LIGHT

Ideal for general site lighting, alleys, loading docks, doorway, pathway, and parking areas.

ELECTRICAL SPECIFICATIONS:

- Voltage: 100~277VAC, 50/60Hz
- Wattage: 100W
- Power factor: 0.90
- Efficacy: 102LM/W / 95LM/W

HOUSING SPECIFICATIONS:

- Big heat sink, No fans
- Lamp plastic housing and Sealant pouring for whole driver
- Direct replacement for metal halide, easy to installation
- Operating temperature: -4°F to 149°F
- IP Rating: IP64

CERTIFICATIONS: UL,DLC



MODEL	WATTS	VOLTAGE	LUMENS	COLOR TEMP
CL-HL-100W-50K-E39	100W	100~277VAC	10200LM	5000K
CL-HL-100W-30K-E39	100W	100~277VAC	9500LM	3000K

LIGHTING SPECIFICATIONS:

- 360° degree lighting
- LED type: SMD2835
- LED Quantity: 736 PCS
- Lamp Base: E39
- Lens: optical Lens
- Total lumens: 10200LM/9500LM
- Color temperature: 5000K/3000K
- Color rendering index: >80

WARRANTY: 5 years



CL-HL-100W-50K-E39 CL-HL-100W-30K-E39

LED CORN LIGHT

PHOTOMETRY:

MODEL	WATTS	VOLTAGE	LUMENS	COLOR TEMP
CL-HL-100W-50K-E39	100W	100~277VAC	10200LM	5000K
CL-HL-100W-30K-E39	100W	100~277VAC	9500LM	3000K

