

CL-EHL SERIES Industrial Lighting

CL-EHL-80-120W-MCTP-E39

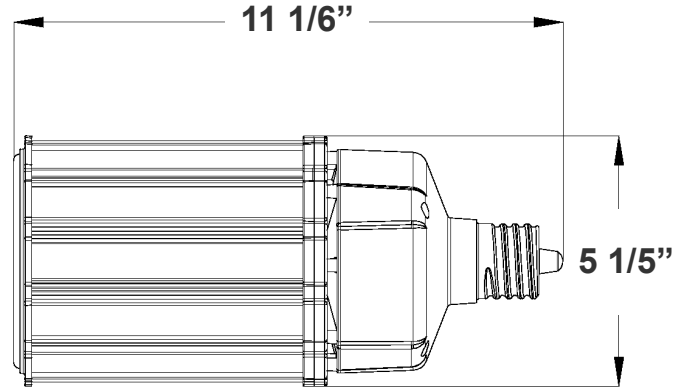


Customer Name: _____

Project Name: _____

Note: _____

Type: _____



11 1/6" (H) x 5 1/5" (W)

LED Corn Lamp suitable for supermarkets, warehouses, garages, home, offices, hotels, hospitals, schools, high bay retrofitting

Features

- EX39 Extended Mogul Base
- 5-Year Warranty
- 50,000 Hours Rated Life
- Housing: PC + Aluminum
- Multi CCT & Power (Selectable Switches On the Bottom of The Lamp)

Technical Specifications

Electrical:

- Voltage: 120-277V AC 50/60Hz
- Wattage: 80W/100W/120W
- Power Factor: >0.9
- AC Direct / Bypass Existing Ballast
- THD: ≤20%
- Efficacy: 140/155/155LPW

Mechanical:

- Housing: PC + Aluminum
- EX39 Extended Mogul Base
- Suitable for Use in Enclosed Luminaires, min. Lamp Compartment Dimensions: 17.32" x 10.23" x 10.23"
- Operating Temp: -104°F to 122°F
- Suitable for Damp Location

Lighting:

- Multi CCT & Power (Selectable Switches On the Bottom of The Lamp)
- LED SMD type: Edison 2835
- Total Lumens: 16800LM/18000LM/18600LM
- Color Temperatures: 3000K/4000K/5000K
- Color Rendering Index: CRI ≥ 80
- Beam Angle: 285°

Applications:

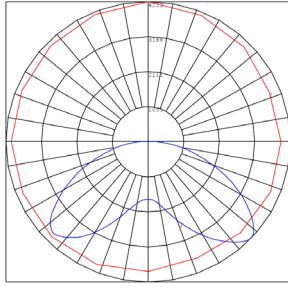
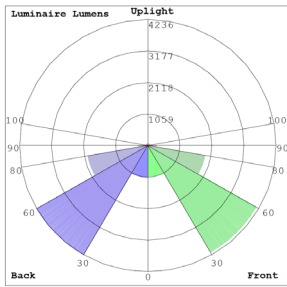
- LED Corn Lamp suitable for supermarkets, warehouses, garages, home, offices, hotels, hospitals, schools, highbay retrofitting

Other Models:

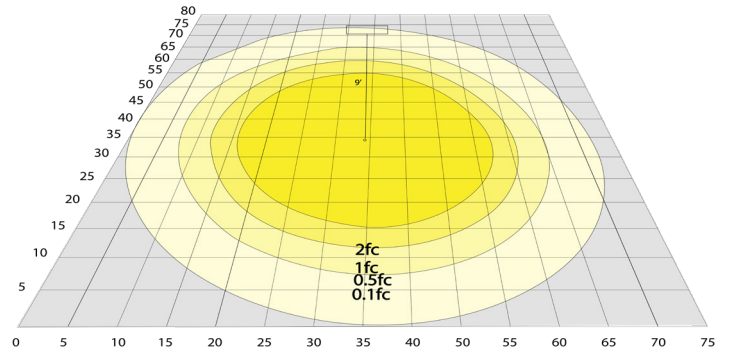
- 54W | 8100LM | CL-EHL-36-54W-MCTP-E39
- 27W | 4050 LMLM | CL-EHL-12-27W-MCTP-E26



Photometrics: CL-EHL-80-120W-MCTP-E39

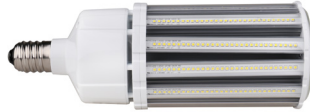


BUG Rating: B3-U3-G3



120W, 5000K Area 80'x 75' Mounting Height: 9'

Other Views:



Side View



Front View

Performance Table: CL-EHL-80-120W-MCTP-E39

MODEL NO.	Wattage	Voltage	Lumens	Color Temp.	BUG Rating	LPW
CL-EHL-80-120W-MCTP-E39	80W	120~277V	16800	3000K	B3-U3-G3	140
	100W		18000	4000K		150
	120W		18600	5000K		155

Sample Ordering

Model Style Wattage Wattage Color Temp. Base

CL - EHL - 80 - 120W - MCTP - E39

