

BOL-G8 SERIES

OUTDOOR LIGHTING

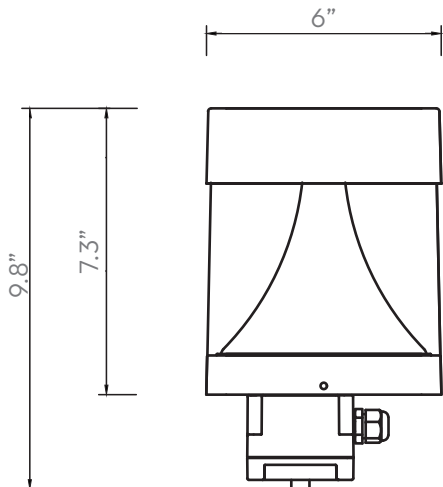
BOL-G8-200-MCTP-BK-WH

BOL-G8-200-MCTP-BR-WH



Modular Head

Power & CCT
Switches under the
Modular Head



Technical Drawing: 9.8" (L) x 6" (W) x 6" (H)

Customer Name: _____

Project Name: _____

Note: _____

Type: _____

The G8 Square Bollard System delivers precise, controlled illumination. Featuring power and CCT adjustability, it allows customized light output and color temperature to suit a wide range of site requirements. Its modular construction supports flexible configurations, making it ideal for contemporary landscape and pathway applications.

FEATURES:

- Cone Reflector, White/Chrome Finish
- Corrosion Resistant Aluminum for Exterior
- Wattage & CCT Selectable Switches inside fixture
- 7-Year Warranty

SPECIFICATIONS:

ELECTRICAL:

- Voltage: 120-277VAC
- Wattage: 10W//18W/25W
- Power Factor: >0.9
- Efficacy: 80 LPW

MECHANICAL:

- Cone Reflector, White/Chrome Finish
- Dark Sky Compliant
- Corrosion Resistant Aluminum for Exterior
- Mounting accessories and anchor poles sold separately see the accessories
- Operating Temperature: -40°F to 122°F
- 5 Years Warranty
- IP Rating: IP65, Wet Locations

LIGHTING:

- Wattage & CCT Selectable Switches inside fixture
- Lumens: 2000LM Max.
- Color Temperatures: 3000K/4000K/5000K
- Color Rendering Index: CRI ≥ 80
- Beam Angle : 90°
- Lifespan: 50000 Hours

APPLICATIONS:

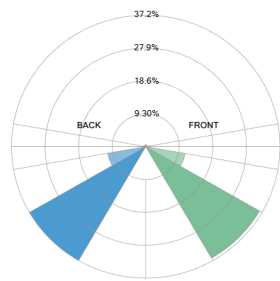
Ideal for pathways, walkways, plazas, and landscaped areas requiring controlled, glare-managed illumination. The G8 Square Bollard System is well suited for commercial, residential, and institutional outdoor environments

OTHER MODELS:

10W//18W/25W/| 2000LM | BOL-G8-200-MCTP-BK-CH

PHOTOMETRICS

BUG rating

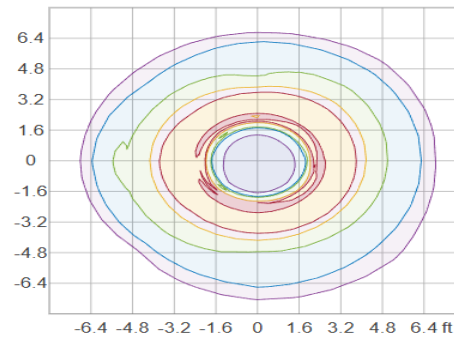


Rating: B1 U1 G1

Forward Light		
Low (0-30°)	2.17	0.202%
Medium (30-60°)	392	36.4%
High (60-90°)	119.4	11.1%
Very High (90-90°)	14.79	1.38%
Back Light		
Low (0-30°)	2.628	0.244%
Medium (30-60°)	490.3	37.2%
High (60-90°)	115.4	10.7%
Very High (90-90°)	14.36	1.34%
Uplight		
Low (90-100°)	8.67	0.806%
High (100-180°)	5.839	0.543%
Total	1076	100%

IESNA TM-15-07 Luminaire Classification System For Outdoor Luminaires
BUG Rating: B1-U1-G1

Iso-illuminance plot



50.0 %	14.9 fc
30.0 %	8.92 fc
10.0 %	2.97 fc
5.0 %	1.49 fc
3.0 %	0.892 fc

Peak illuminance: 29.7 fc
Mounting height: 2.8 ft
Number of c-planes: 8

Area 6.4'x6.4'

PERFORMANCE TABLE

MODEL NO.	WATTAGE	VOLTAGE	LUMENS	COLOR TEMP.	BUG RATING	LPW
BOL-G8-200-MCTP-BK-WH	10W	120-277V	800LM	3000K/4000K/5000K	B1-U1-G1	80
BOL-G8-200-MCTP-BR-WH	18W		1440LM			
	25W		2000LM			

ACCESSORIES

Head

Shaft
Avail.in: 10"/20"/26"/34"
(Sold Separately)

G8 Bollard Anchor Bolt Kit
(Sold Separately)

BOL-G8-200-MCTP-BK-WH
G8 SQUARE MODULAR BOLLARD
WITH CONE REFLECTOR

BOL-G8-SHAFT-10-BK
BOL-G8-SHAFT-20-BK
BOL-G8-SHAFT-26-BK
BOL-G8-SHAFT-34-BK

BOL-G8-ABK

Head

Shaft
Avail.in: 10"/20"/26"/34"
(Sold Separately)

G8 Bollard Anchor Bolt Kit
(Sold Separately)

BOL-G8-200-MCTP-BR-WH
G8 SQUARE MODULAR BOLLARD
WITH CONE REFLECTOR

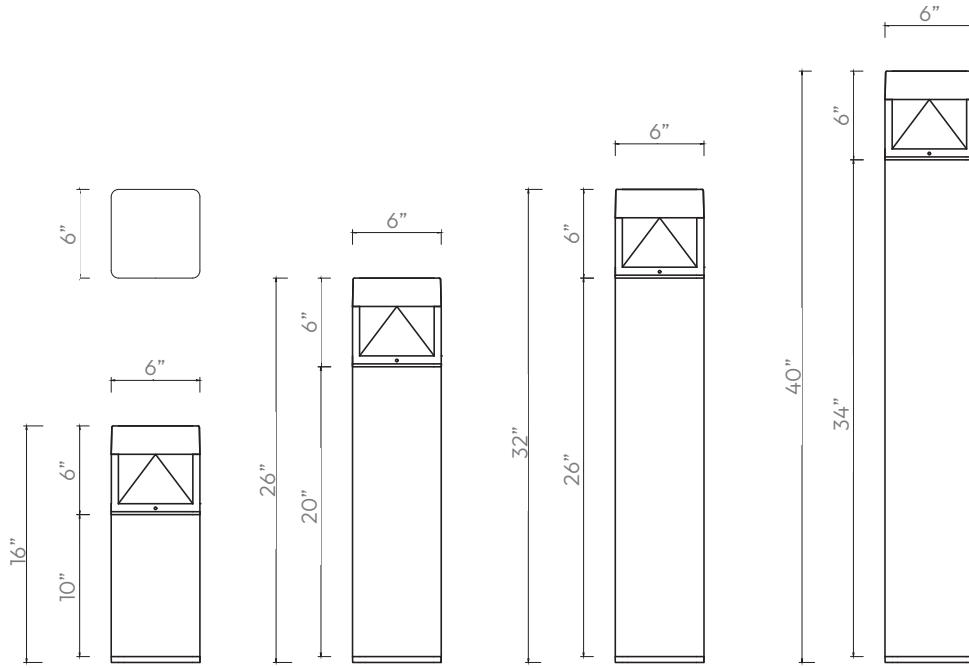
BOL-G8-SHAFT-10-BR
BOL-G8-SHAFT-20-BR
BOL-G8-SHAFT-26-BR
BOL-G8-SHAFT-34-BR

BOL-G8-ABK

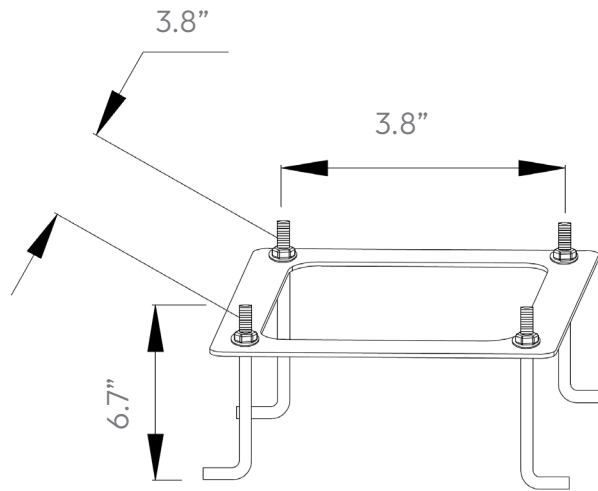
10" Shaft+Head : 16" x 6" x 6"
20" Shaft+Head : 26" x 6" x 6"
26" Shaft+Head : 32" x 6" x 6"
34" Shaft+Head : 40" x 6" x 6"

10" Shaft+Head : 16" x 6" x 6"
20" Shaft+Head : 26" x 6" x 6"
26" Shaft+Head : 32" x 6" x 6"
34" Shaft+Head : 40" x 6" x 6"

DRAWINGS



10" Shaft : 10"x 6"x 6"
20" Shaft: 20"x 6"x 6"
26" Shaft: 26"x 6"x 6"
34" Shaft: 26"x 6"x 6"
(Sold Separately)



BOL-G8-ABK : 6.7"x 3.8"x3.8"
(Sold Separately)