

# BOL SERIES Outdoor Lighting

BOL-700-37-MCTP-BK  
BOL-700-37-MCTP-BR  
BOL-700-37-MCTP-SIL  
GLARE-FREE PATH BOLLARD

**MCTP** Multi Color Temperature & Multi Power/Wattage (Selectable)



Avail Finishes:



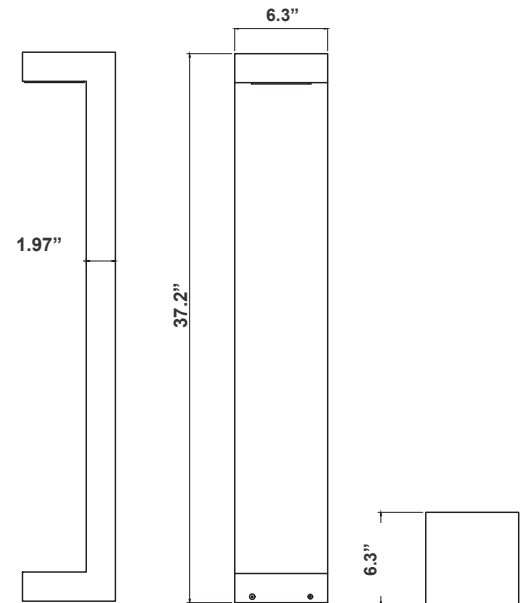
Bollards are designed for walkways, entrance ways, drives and other small-area lighting applications where low mounting heights are desirable

Customer Name: \_\_\_\_\_

Project Name: \_\_\_\_\_

Note: \_\_\_\_\_

Type: \_\_\_\_\_



37.2"(H) x 6.3"(W) x 6.3"(D)

## Features

- Corrosion Resistant Aluminum for Exterior
- Powder-Coated Aluminum, White, Black & Silver Finishes
- Wattage & CCT Selectable Switches inside fixture
- 7-Year Warranty

## Technical Specifications

### Electrical:

- Voltage: 120-277V AC
- Wattage: 10W/15W/20W
- Power Factor: >0.9
- Efficacy: 100LM/W

### Mechanical:

- Powder-Coated Aluminum, White, Black & Silver Finishes
- Corrosion Resistant Aluminum for Exterior
- Mounting Accessories & Anchor Sold Separately, see the accessories
- Operating Temperature: -40°F to 113°F
- 7 Years Warranty
- IP Rating: IP65, Wet Locations

### Lighting:

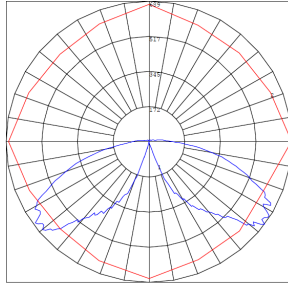
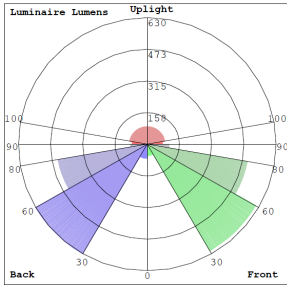
- Wattage & CCT Selectable Switches inside fixture
- Lumens: 2000LM Max.
- Color Temperatures: 3000K/4000K/5000K
- Color Rendering Index: CRI ≥ 80
- Beam Angle : 270°
- Lifespan: 70000 Hours

### Applications:

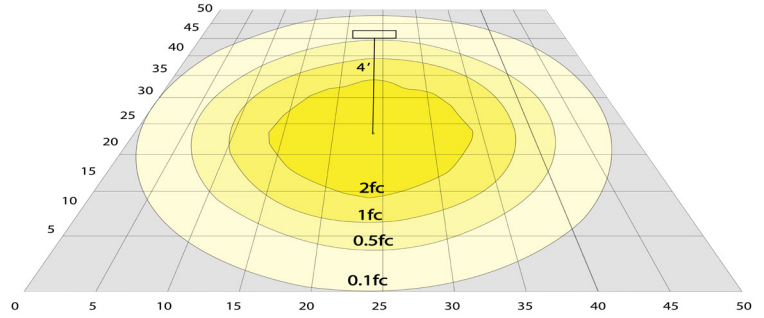
- Bollards are designed for walkways, entrance ways, drives and other small-area lighting applications where low mounting heights are desirable



## Photometrics: BOL-700-37-MCTP



BUD Rating: B1-U3-G2



Area 75'x 65' Mounting Height: 4'

## Performance Table: BOL-700-37-MCTP

MODEL NO.	Wattage	Voltage	Lumens	Color Temp.	BUG Rating	LPW
BOL-700-37-MCTP-BK	10W	120~277V	1000LM	3000K	B1-U3-G2	100
BOL-700-37-MCTP-BR	15W		1500LM	4000K		
BOL-700-37-MCTP-SIL	20W		2000LM	5000K		

## Sample Ordering

Model	Style	Size	Color Temp.	Housing				
BOL	-	700	-	37	-	MCTP	-	<input type="text"/>

BK= Black  
BR= Bronze  
SIL= Silver

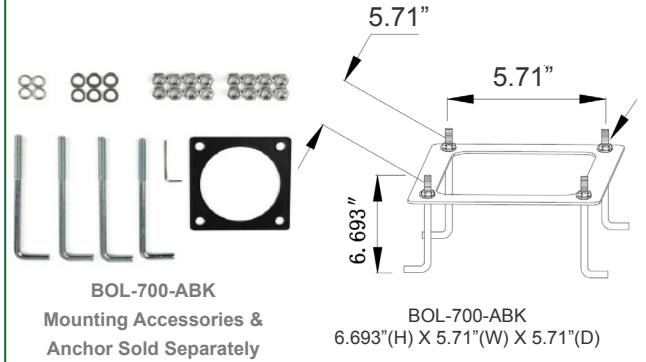
### Accessories:

Blank = No Option For Accessories  
BOL-700-ABK = Bollard Round Replacement Anchor

### Factory-Installed Options:

Blank = No Option For Accessories  
OPT-EM-BOL = Emergency Backup Internal Battery, Back Box  
OPT-CRL-95(BK/GR/SR/WH) = Paint  
OPT-SEN-WMC = Microwave Bi-Level Sensor  
OPT-PC-B = Button

### ACCESSORIES:



### FACTORY-INSTALLED OPTION:

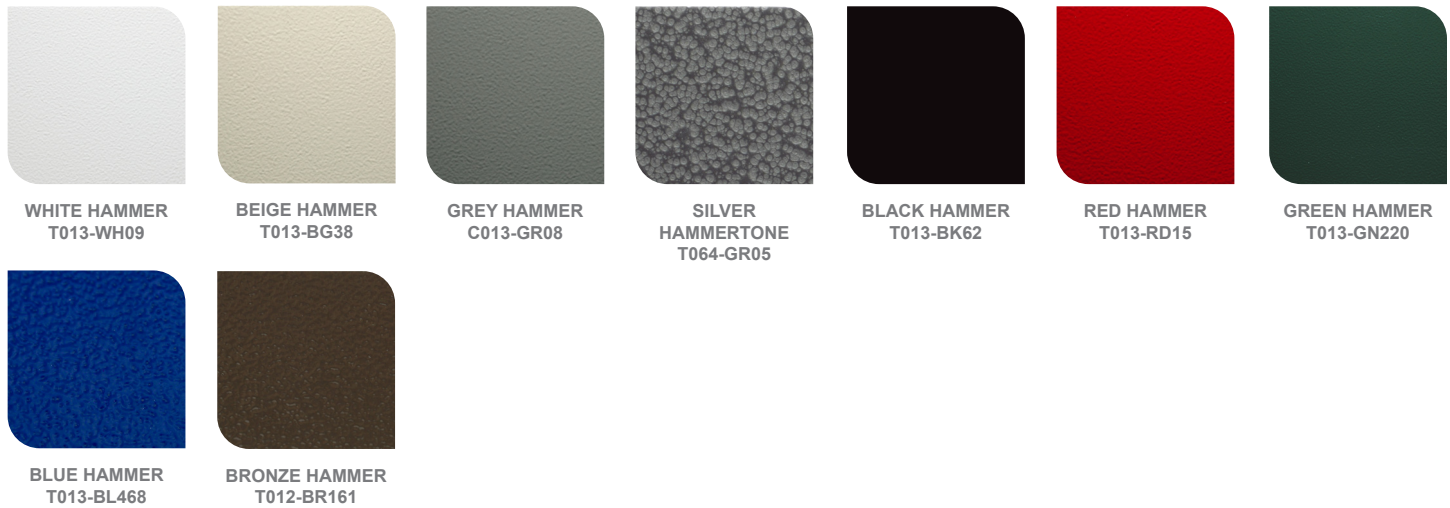


**COLOR CHART:** \* Choose from one of our Premium Colors with no set-up fee.

**Gloss:**



**Hammer:**



**Texture:**



**Vein:**

