

# LDSC SERIES Outdoor Lighting

LDSC-24-MCTP-DD-ORB  
24" OUTDOOR/INDOOR LED DECORATIVE WALL SCNCE

**MCTP** Multi Color Temperature & Multi Power/Wattage (Selectable)

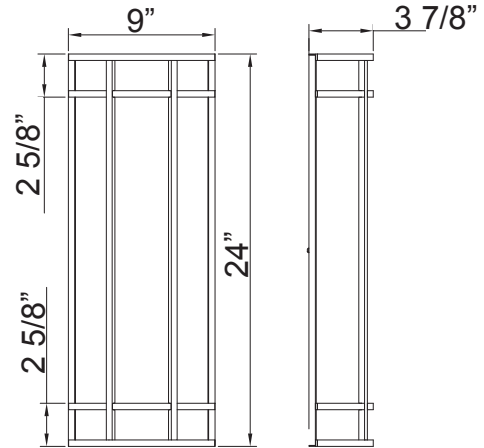


Wall sconce fixture updated with the latest in LED technology. It provides accent illumination that visually expands the space and creates a relaxing atmosphere. Ideal for use in hallways, stairways, dining areas, foyers, and meeting rooms for residential and commercial applications. The long LED life, coupled with exceptional color rendering, make this fixture attractive for new or retrofit projects.

Customer Name: \_\_\_\_\_

Project Name: \_\_\_\_\_

Note: \_\_\_\_\_ Type: \_\_\_\_\_



24"(H) x 9"(W) x 3 7/8"(D)

## Features

- High-Transmission Frosted Plastic Lens with Excellent Distribution and Uniformity
- Direct replacement for Fluorescent
- Full distribution LED luminaries
- 70,000 Hours Rated Life
- 7-Year Warranty

## Technical Specifications

### Electrical:

- Voltage: 120-277V
- Wattage: 20W/25W/30W
- Power Factor: >0.9
- Efficacy: 80 LPW

### Mechanical:

- Die-Cast Aluminum Housing With Powder Coat Finish
- High-Transmission Frosted Plastic Lens With Excellent Distribution and Uniformity
- Direct Replacement For Fluorescent
- Full Distribution LED luminaries
- IP Rating: IP65
- Operating Temperature: -4°F to 113°F
- Suitable For Wet Locations

### Lighting:

- Dimming: (Dual Function) Triac Dimmable at 120V & 0-10V Dimming at 120-277V
- Multi CCT: Selectable CCTs Switch Located On The LED Board
- Total Lumens: 2400LM
- Color Temperature: 3000K/4000K/5000K
- Color Rendering Index:  $\geq 80$
- Beam Angle: 120°

### Applications:

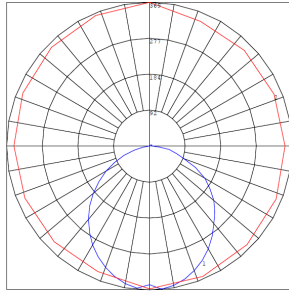
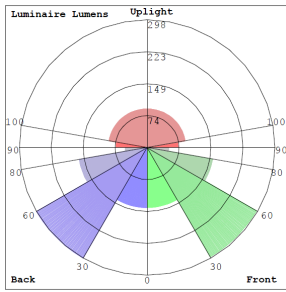
- Motel, Hotels, Hospitals, hallways, stairways, dining areas, foyers, and meeting rooms

### Other Models:

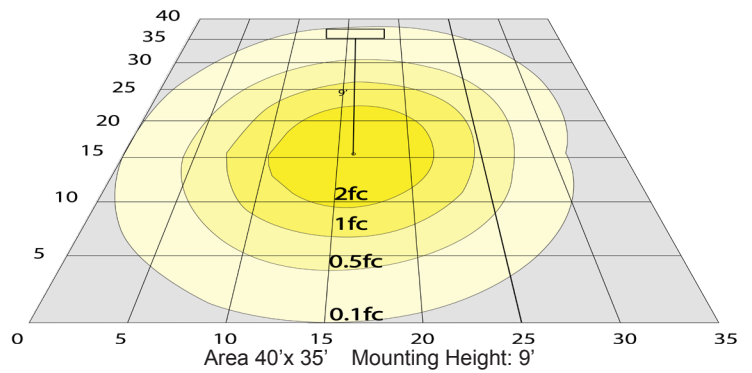
- 30W | 2400LM | LDSC-18-MCTP-DD-SIL
- 30W | 2400LM | LDSC-18-MCTP-DD-BK



## Photometrics: LDSC-24-MCTP-DD-ORB



BUG Rating: B1-U3-G1



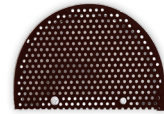
## Other Views:



Side View



Front View



Bottom View

## Performance Table: LDSC-24-MCTP-DD-ORB

MODEL NO.	Wattage	Voltage	Lumens	Color Temp.	BUG Rating	LPW
LDSC-24-MCTP-DD-ORB	20W	120V	1600LM	3000K	B1-U3-G1	80
	25W		2000LM	4000K		
	30W		2400LM	5000K		

## Sample Ordering

Model    Size    Color Temp.    Dimming    Housing

LDSXL - 24 - MCTP - DD - ORB

## Factory Installed Options:

Blank = No Option  
 OPT-EM-LDS = EMERGENCY BATTERY BACKUP  
 OPT-SEN-LDS = PROGRAMMABLE MICROWAVE BI-LEVEL SENSOR

## FACTORY INSTALLED OPTIONS:



OPT-EM-LDS



OPT-SEN-LDS

