

# CL-XHL SERIES Industrial Lighting

CL-XHL-120-200W-MCTP-E39

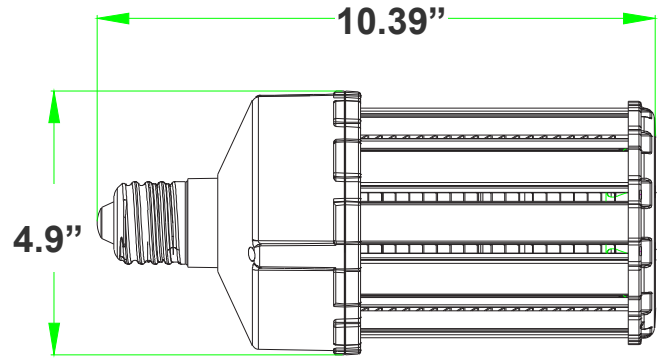
**MCTP** Multi Color Temperature & Multi Power/Wattage (Selectable)

Customer Name: \_\_\_\_\_

Project Name: \_\_\_\_\_

Note: \_\_\_\_\_

Type: \_\_\_\_\_



10.39"(H) x 4.9"(W)

The DLC High-Lumen LED Corn Lamp delivers powerful, omnidirectional illumination for retrofit and new installations. Designed for maximum efficiency, it provides high lumen output, long life, and reduced energy consumption. Suitable for post tops, area lights, shoebox fixtures, and other commercial or industrial applications requiring bright, uniform light.

## Features

- E39 Mogul Base
- 5-Year Warranty
- 50,000 Hours Rated Life
- Housing: PC + Aluminum
- Multi CCT & Power (Selectable Switches On the Bottom of The Lamp)

## Technical Specifications

### Electrical:

- Voltage: 120-277V AC 50/60Hz
- Wattage: 120W/150W/200W
- Power Factor: >0.9
- AC Direct / Bypass Existing Ballast
- THD: ≤20%
- Efficacy: 145LPW

### Mechanical:

- Housing: PC + Aluminum
- E39 Mogul Base
- Suitable for Use in Enclosed Luminaires, min. Lamp Compartment Dimensions: 17.32" x 10.23" x 10.23"
- Operating Temp: -104°F to 122°F
- Suitable for Damp Location

### Lighting:

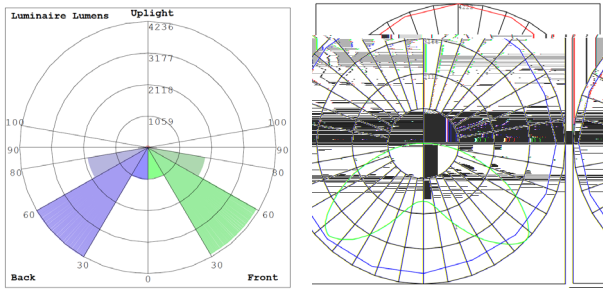
- Multi CCT & Power (Selectable Switches On the Bottom of The Lamp)
- LED SMD type: Edison 2835
- Total Lumens: 29000LM
- Color Temperatures: 3000K/4000K/5000K
- Color Rendering Index: CRI ≥ 80
- Beam Angle: 285°

### Applications:

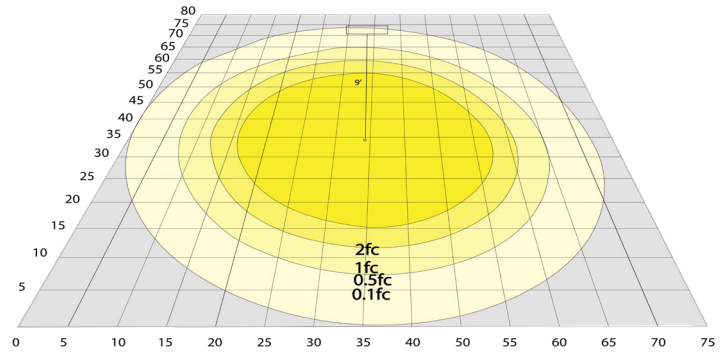
- LED Corn Lamp suitable for supermarkets, warehouses, garages, home, offices, hotels, hospitals, schools, highbay retrofitting



**Photometrics:** CL-XHL-120-200W-MCTP-E39



BUD Rating: B3-U3-G3



120W, 5000K Area 80'x 75' Mounting Height: 9'

**Other Views:**



Side View



Front View

**Performance Table:** CL-XHL-120-200W-MCTP-E39

MODEL NO.	Wattage	Voltage	Lumens	Color Temp.	BUG Rating	LPW
CL-XHL-120-200W-MCTP-E39	120W	120-277V	17400LM	3000K	B3-U3-G3	145
	150W		21750LM	4000K		
	200W		29000LM	5000K		

**Sample Ordering**

Model Style Wattage Wattage Color Temp. Base

CL - XHL - 120 - 200W - MCTP - E39

**Accessory:**

Blank = No Option For Accessories  
 E39-REDUCER = REDUCES E39 BULB TO BE USED IN E26 SOCKET

**ACCESSORY:**



E39-REDUCER

