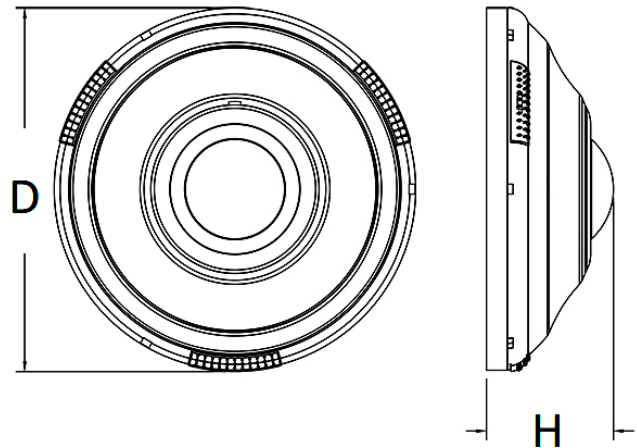




DIMENSIONS:

2.36"(H) x 4.92"(D)



YM2301

OCCUPANCY SENSOR

Ideal for offices, conference rooms, break rooms, storage areas.

ELECTRICAL SPECIFICATIONS:

- Max Load: 800/1200W
- Voltage: 120~277VAC, 60Hz
- Load Horsepower: 1/6HP

HOUSING SPECIFICATIONS:

- Ceiling mount PIR occupancy sensor
- Replaces standard single pole switch
- Built-in lighting level sensing
- Architecturally appealing low-profile appearance
- Installation Height: Max 15ft.
- Operating temperature: 32°F ~ 131°F

CERTIFICATIONS:



| MODEL | MAX LOAD | VOLTAGE | DETECTION ANGEL |
|--------|-----------|------------|-----------------|
| YM2301 | 800/1200W | 120~277VAC | 360° |

TECHNICAL SPECIFICATIONS:

- Detection Angle: 360°
- Maximum Detection Area: 15'ft. Height & Diameter 40'ft.
- California Title 24 compliant
- Neutral required
- Works with all lighting loads and fans
- LED indicates motion was sensed
- Automatically turns lighting on and off base on occupancy
- Load requirements: 0-800W/0-1200W Incandescent, fluorescent, indicate LED lamp, compact fluorescent (CFL), magnetic low-voltage (MLV) and electronic low-voltage
- Operating Humidity: 95%RH, non condensing
- Time delay adjustment.
- Sensitivity adjustment.
- Lighting level adjustment.
- Time delay from 15 sec to 30 min

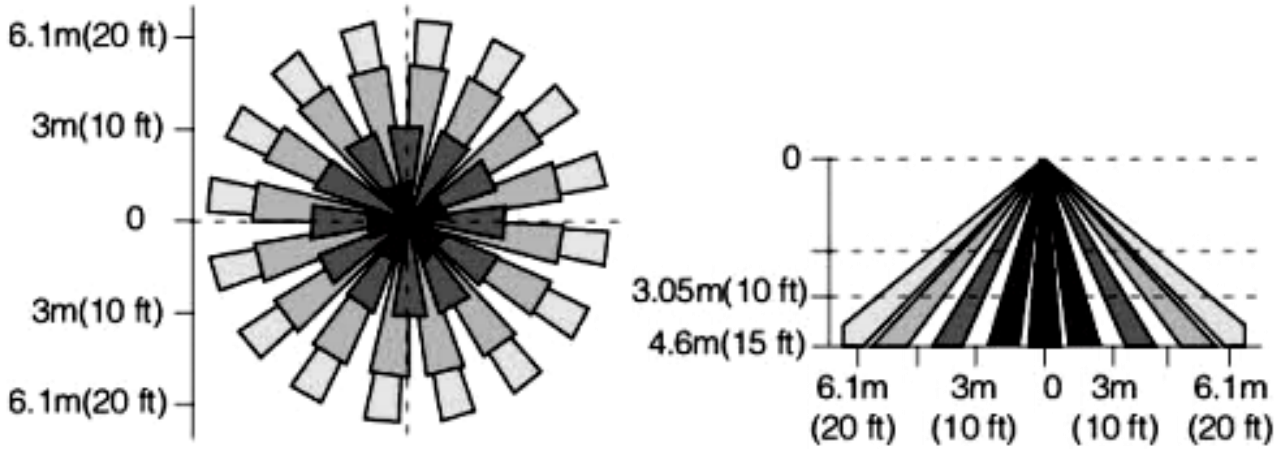


YM2301

OCCUPANCY SENSOR

| MODEL | MAX LOAD | VOLTAGE | DETECTION ANGEL |
|--------|-----------|------------|-----------------|
| YM2301 | 800/1200W | 120~277VAC | 360° |

DETECTION RANG:



WIRING DIAGRAM:

