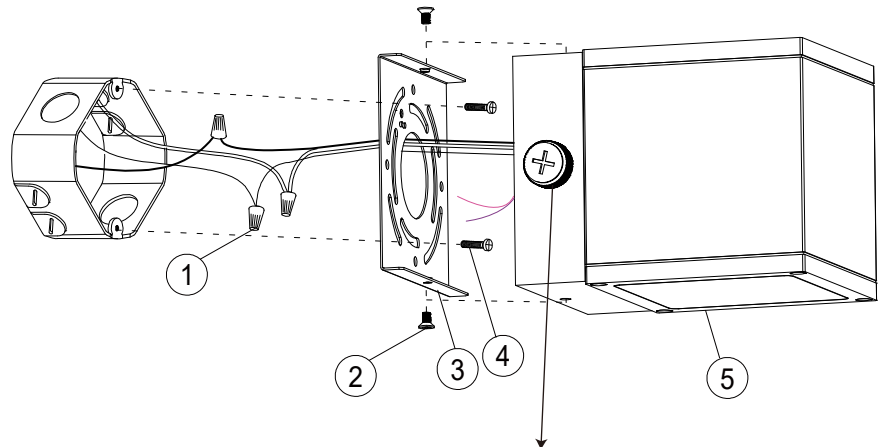


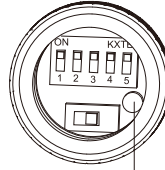
PLEASE READ THESE INSTRUCTIONS CAREFULLY AND SAVE THEM, AS YOU MAY NEED THEM AT A LATER DATE.

WARNING: Failure to install and wire fixture in accordance with the National Electrical Codes (NEC), all applicable Federal, State and Local electrical codes, as well as Specific U.L. safety standards for the intended working environment (location/ application) may cause serious personal injury, death and/or property damage. This product must be installed by a person familiar with the construction and operation of the product and the hazards involved. Risk of fire and electrical shock. Most dwellings built before 1985 have supply wires rated 60°C. Consult a qualified electrician before installing. If supply wires are located within 3 inches to the ballast use wires rated at least 90°C.

CAUTION: TURN OFF POWER FROM THE MAIN CIRCUIT BEFORE INSTALLING FIXTURE. Make sure fixture is grounded per National Electrical Codes (NEC). These fixtures are intended to be mounted to a metal outlet box. The box must be directly supported by the building structure. This fixture is suitable for damp locations.

FIG.1





1	2	CCT	3	4	POWER
↑	↓	N/A	↑	↓	18W
↑	↓	3000K	↑	↓	15W
↑	↓	4000K	↑	↓	12W
↑	↓	5000K	↑	↓	6W

5	PHOTOCELL
↑	ON
↓	OFF

SLIDE	LIGHT DIRECTION
←	UP LIGHT
→	UP-DOWN LIGHT

Control switch operation instructions

ASSEMBLY INSTRUCTIONS

1. Remove mounting bracket (3) from the fixture (5) by removing two screws (2).
2. Install mounting bracket (3) to decorative box (not provided) using two screws (4) to secure it.
3. Wiring fixture
Make all wire connections to appropriate wire. Secure with wire nuts (provided).
Connect the thin gray wire from the fixture (5) to the thin gray wire from the decorative box with wire connector (1).
Connect the thin white wire from the fixture (5) to the thin white wire from the decorative box with wire connector (1).
Connect the thin yellow wire from the fixture (5) to the thin yellow wire from the decorative box with wire connector (1).
Connect the green or bare wire from the fixture to the supply power source ground wire.
For none dimming fixture. Connect the white wire from the fixture to the white (N) wire from supply power source. Connect the black wire from the fixture to the black (L) wire from supply power source.
For 0-10V dimming fixture. Connect the pink wire from the fixture to the dimmer source gray or pink wire. Connect the purple wire from the fixture to the dimmer source purple wire. Connect the white wire from the fixture to the neutral (N) wire from dimming source per dimmer wiring instructions. Connect the black wire from the fixture to the control line (L) wire from dimmer supply power source per dimmer wiring instructions.
For TRIAC dimming. Connect the white wire from the fixture to corresponding white (N) wire in accordance with the dimmer manufacturer instructions.
Connect the black wire from the fixture to the corresponding control line (L) wire in accordance with the dimmer manufacturer instructions. Pink and purple wires are not to be used and must be individually capped to prevent shorting.
Do not mix wires. Pull on each wire lead to make sure connections are secure. Make certain no bare wires are exposed outside of wire connectors. Tuck all connections neatly into the decorative box.
4. Flip the lid off the switch, the operation of color temperature power and photosensitive function is shown in the figure.
5. Install fixture (5) to the mounting bracket (3) by aligning both hole on top and bottom with the bracket then using two screws (2) to secure it.
6. Power to the fixture can now be restored.