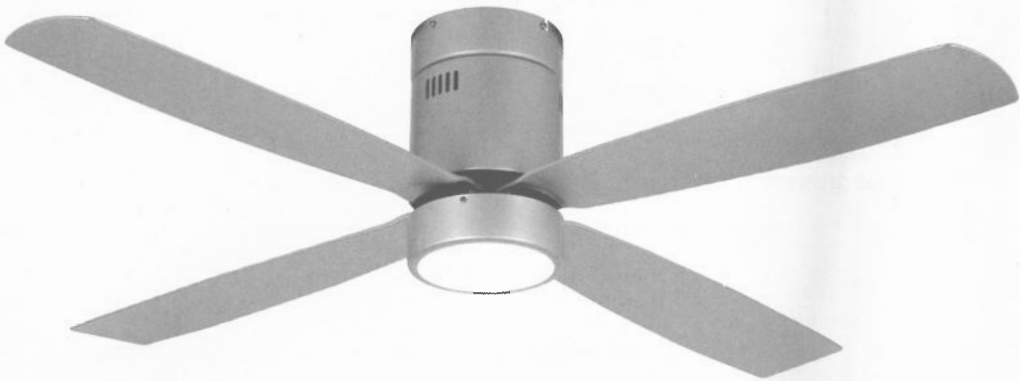


# WESTGATE

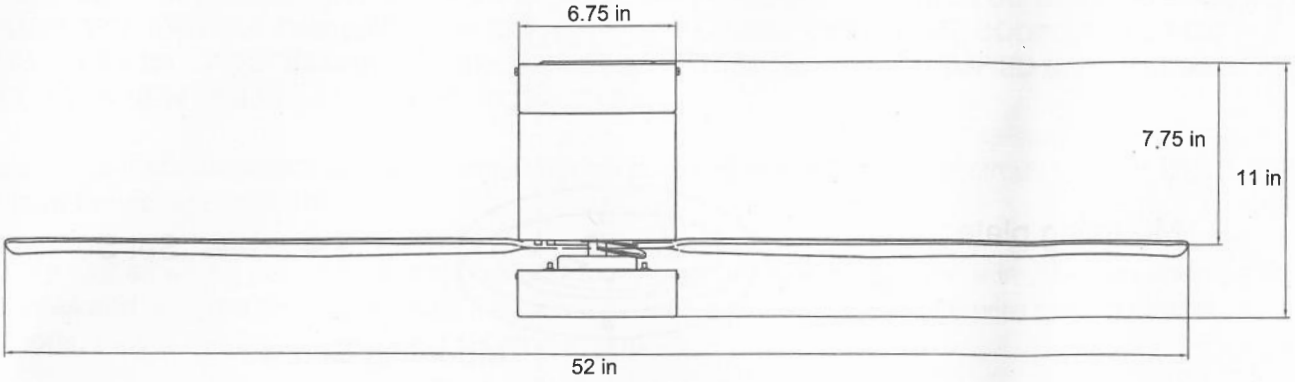
THE FUTURE IS HERE... AND IT'S QUITE BRIGHT!

PRODUCT NAME: WFL-118-WS-4B-52-30K-BN-S  
WFL-118-WS-4B-52-30K-WH-WH  
WFL-118-WS-4B-52-30K-BK-BK

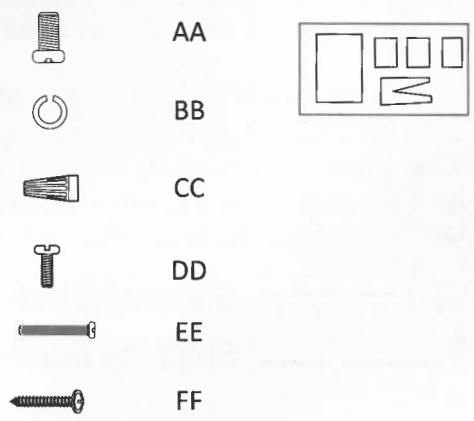
Please consult your electrician for hanging fixture and wiring.



**Dimension Reference:**



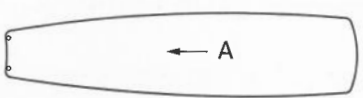
**Hardware Package Included:**



GG

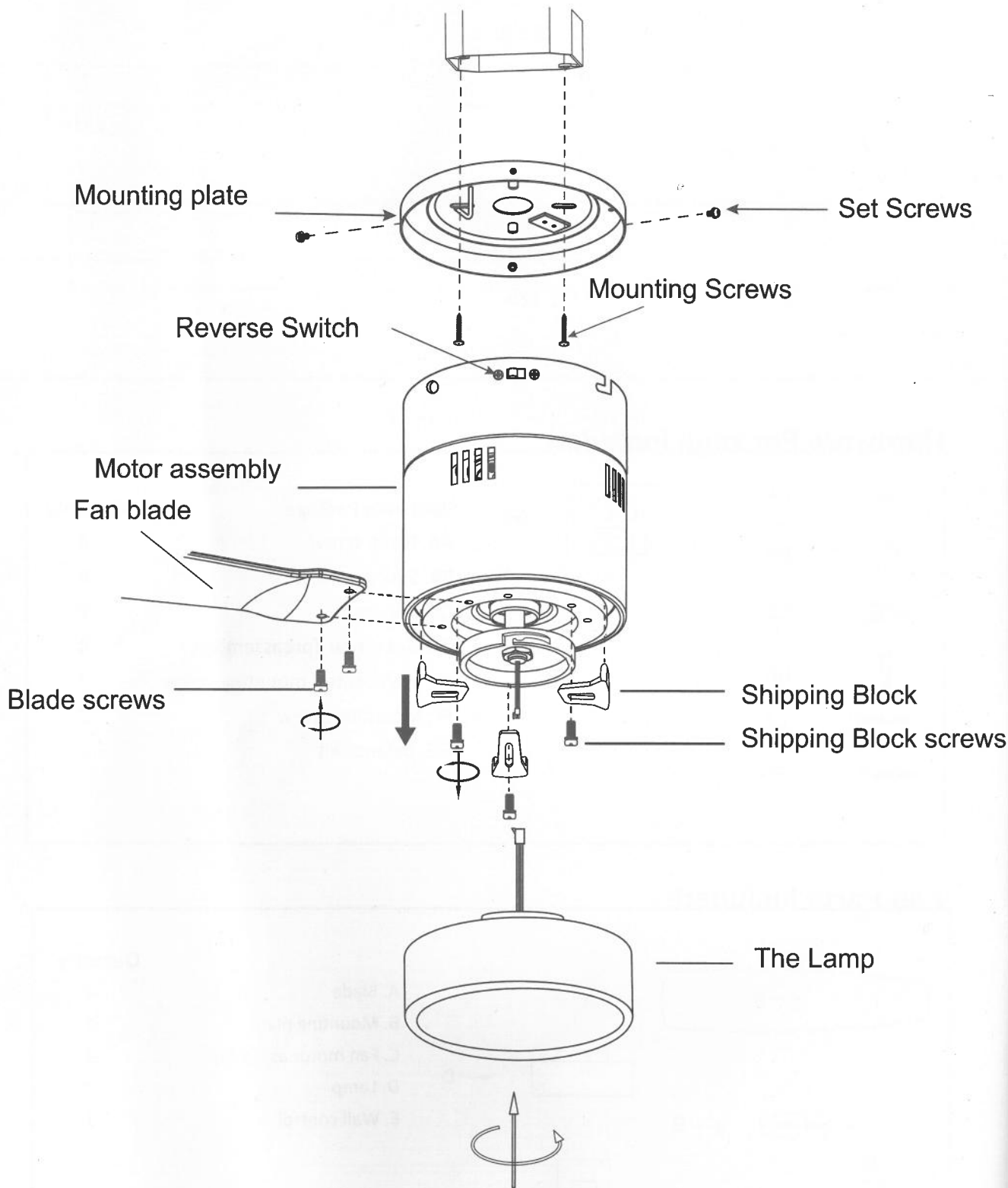
Hardware Package	Quantity
AA. Blade screw	8
BB. Spring washer	8
CC. Wire nuts	7
DD. Set screw (preassembled)	4
EE. Wall control mounting screw	2
FF. Mounting screw	2
GG. Balance kit	1

**Fan Parts Included:**



Part	Quantity
A. Blade	4
B. Mounting plate	1
C. Fan motor assembly	1
D. Lamp	1
E. Wall control	1

# Exploded View - Flushmount



## **Safety Instructions:**

**READ ALL SAFETY INFORMATION AND INSTALLATION INSTRUCTIONS BEFORE YOU BEGIN INSTALLING THE FAN. IF YOU ARE NOT FAMILIAR WITH NATIONAL AND LOCAL ELECTRICAL CODES AND BASIC ELECTRICAL WIRING PROCEDURES WE RECOMMEND THAT YOU HAVE A QUALIFIED ELECTRICIAN INSTALL YOUR NEW CEILING FAN. SAVE INSTRUCTIONS.**

- To avoid the risk of electrical shock be sure to shut off power at the main fuse or circuit breaker box before installing or servicing this fixture.
- Make sure that all wiring conforms to national and local electrical codes. If you are in question obtain a copy of the codes and wire the fan accordingly. Never leave bare wire uncovered, use wire nuts to cap all connections. Plastic electrical tape is not recommended.
- Basic requirements for a ceiling fan installed with lights are 120V AC-60Hz on a grounded circuit with a 15 amp breaker or fuse. Make sure that your electrical system and choice of location meet these requirements.
- If the location where you plan to install your fan does not already have an electrical outlet, hire a licensed electrician to run the wiring and install an outlet box designed for ceiling fans or heavy fixtures. The outlet box should be able to support a minimum moving weight of 50 pounds and marked "Acceptable for Fan Support" (*Plastic outlet boxes are not recommended for ceiling fan installation*).
- If you plan to use an existing electrical location check to make sure that the outlet box is not PLASTIC, that it is securely attached and able to support at least 50 pounds of moving weight marked "Acceptable for Fan Support". If you have any questions, outlet boxes and support systems for ceiling fans are available at most hardware and do-it-yourself centers. In most cases your URBAN33 dealer will have all the necessary products for the proper and safe installation of your ceiling fan.
- The location you choose should have a minimum clearance of 20 inches from any wall to the blade tip at any point in its rotation and a minimum of 7 feet from blade level to floor and 10 inches from the blades to the ceiling.
- This ceiling fan was not designed for installation in any location where it might be exposed to moisture or high humidity. Installation in this type of location could be UNSAFE, will most likely damage the fan and its finish...and will VOID YOUR WARRANTY.
- Every effort has been made to provide you with proper instructions for the safe installation of this ceiling fan. You could however, encounter situations or problems not covered in this manual. Should this occur, please refer to a do-it-yourself wiring handbook or hire a qualified electrician to install your fan.
- Lubrication of your new ceiling fan is not necessary. The ball bearings have been adequately charged with grease and permanently sealed at the factory so that, under normal conditions, further attention is not necessary.
- NOTE: The safeguards provided by these safety instructions and by any separate installation instructions are not meant to cover all possible conditions and situations that may occur. It must be understood that common sense, caution and care are factors which can not be built into this product. These factors must be supplied by the person(s) installing, caring for and operating fan.

## Warning:

- To reduce the risk of fire, electrical shock, or personal injury, mount this fan to an outlet box marked "Acceptable for Fan Support of 22.7 kg ( 50 lbs )" or less and use Mounting Screws provided with the outlet box. CAUTION: Install the primary mounting means and use only the hardware provided with the fan.
- To reduce the risk of personal injury take care not to bend the blade brackets when installing the brackets, balancing the blades or cleaning the fan. Be careful not to insert foreign objects in between rotating fan blades.
- To reduce the risk of fire or electrical shock, do not use this fan with any solid-state speed control device.
- The important safeguards and instructions appearing in this manual are not meant to cover all possible conditions and situations that may occur. It must be understood that common sense, caution and careful attention to detail are factors which cannot be built into this product. These factors must be supplied by the person or persons installing, caring for, and operating the unit.

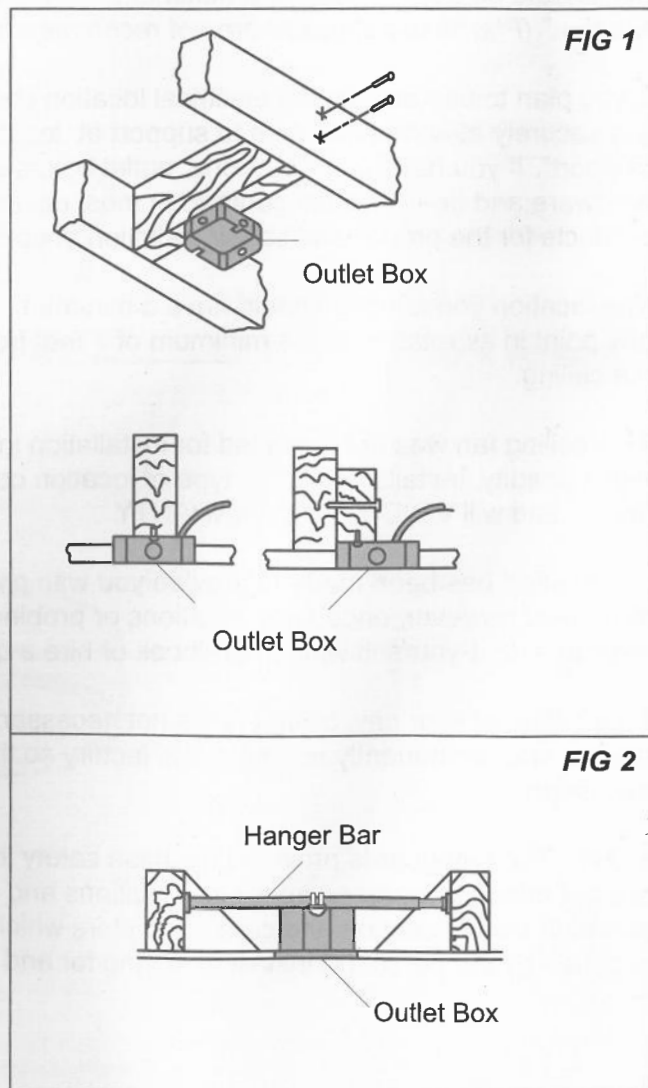
## Installation Instructions:

### MOUNTING OPTIONS

**WARNING:** To reduce the risk of fire, electric shock, or personal injury, mount to outlet box marked "acceptable for fan support of 35 lbs. (15.9 Kg) or less" using the screws provided with the outlet box. An outlet box commonly used for the support of lighting fixtures may not be acceptable for fan support and may need to be replaced. If in doubt, consult a qualified electrician.

If your ceiling fan does not have an existing UL-listed mounting box, then install one using the following instructions:(see **figure 1**)

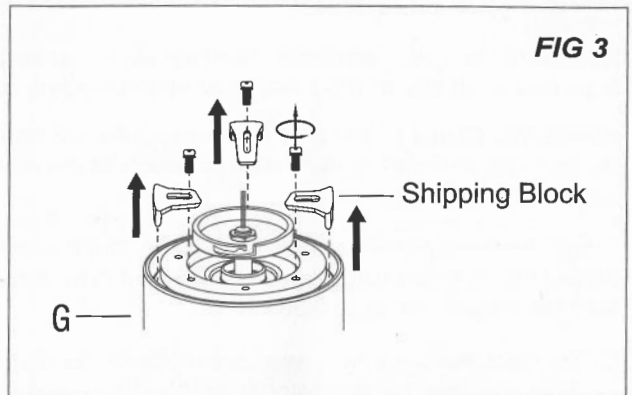
- Disconnect the power by removing the fuses or turning off the circuit breakers.
- Secure the outlet box directly to the building structure. Use the appropriate fasteners and materials. The outlet box and its bracing must be able to fully support the weight of the moving fan (at least 35 lbs.). Do not use a plastic outlet box.
- To hang your fan where there is an existing fixture but no ceiling joist you may need an installation hanger bar as shown above.(see **figure 2**)



# Assembly - Flushmount

## Step 1. Detach the shipping blocks (see figure 3)

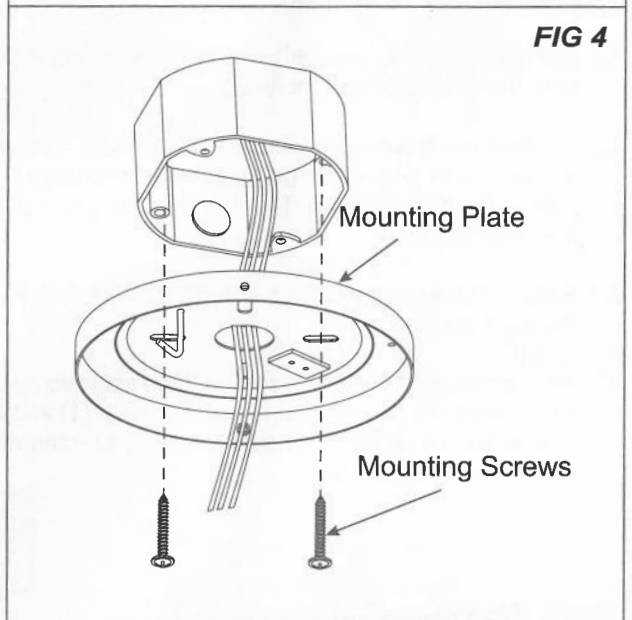
- Unscrew three screws and detach the shipping blocks from the motor assembly (G). These shipping blocks are used for protection only. Discard when they are being removed.



## Step 2. Routing the wires (see figure 4)

**WARNING:** To reduce the risk of fire, electric shock or personal injury, mount to outlet box marked "acceptable for fan support of 35 lbs (15.9Kg) or less" and use screws provided with the outlet box.

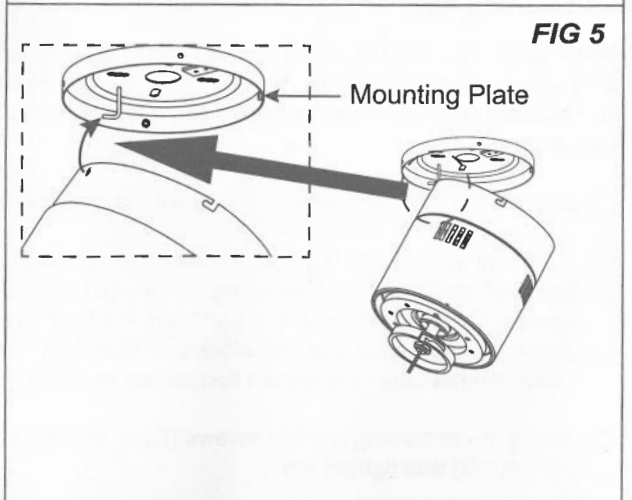
- Route the wires exiting the top of the fan motor assembly into the mounting plate.
- Take the two mounting Screws to install the mounting plate to the outlet box and tighten firmly.
- Use four washers (not included) when install the mounting plate to the outlet box ensure the mounting plate and the outlet box level.



## Step 3. Hanging the fan (see figure 5)

**The hook as shown is only to balance the fan while attaching wiring. Failure to hang as shown may result in hook breaking, causing the fan to fall. The hook must pass from inside to the outside of the canopy.**

- Carefully lift the fan motor assembly up to the mounting plate.
- Hang the fan on the hook provide by utilizing one of the holes at the outer rim of the ceiling canopy



# Assembly - Flushmount (continued)

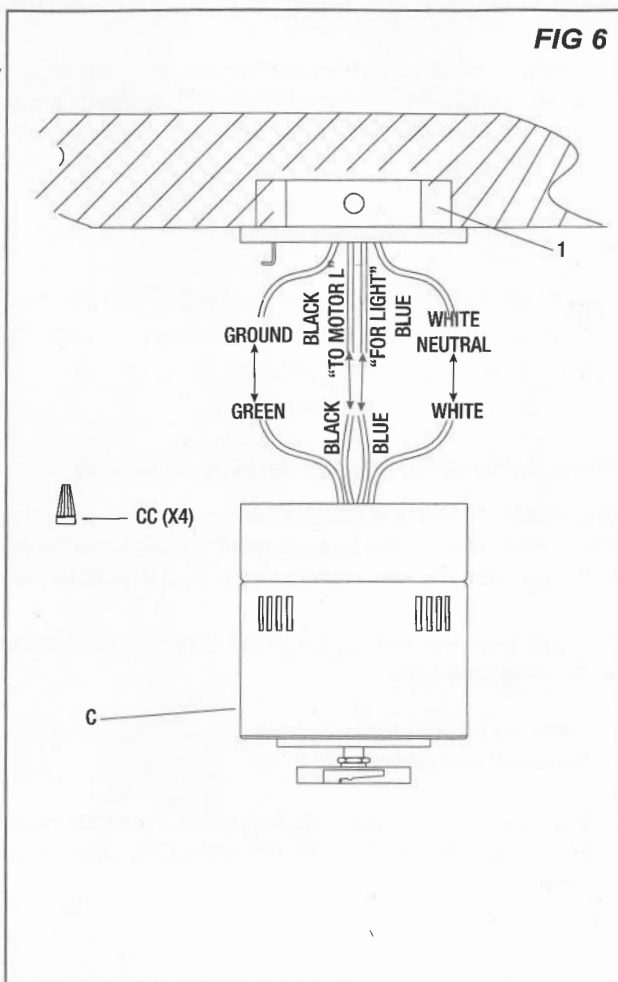
## Step 4. Making the electrical connections (see figure 6)

**WARNING:** To avoid possible electrical shock, ensure the electricity is turned off at the circuit breaker or main fuse box before wiring.

**WARNING:** Check to see that all connections are tight, including the ground, and that no bare wire is visible at the wire nuts, except for the ground wire.

Follow the steps below to connect the fan to your house supply wires. Secure the wire nuts (CC) supplied with your fan by wrapping the connections with electrical tape.

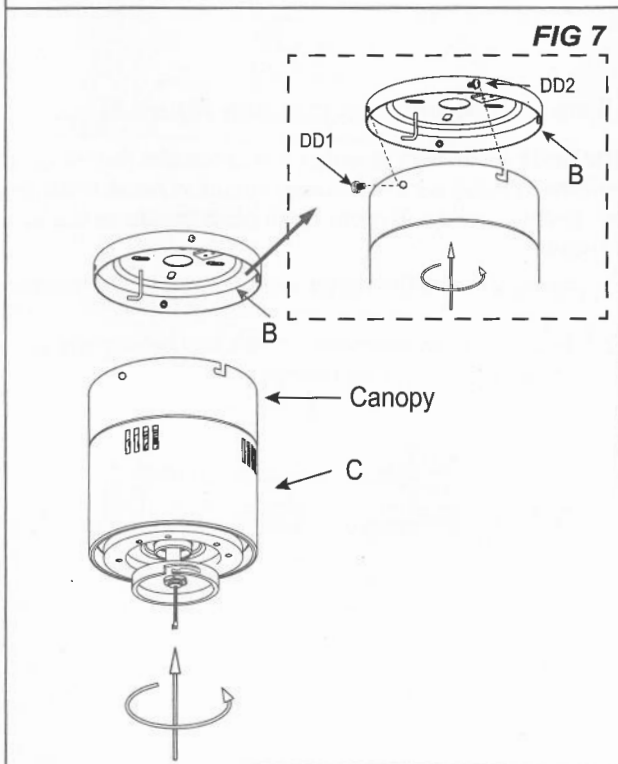
- Connect the Black (live) wire from the ceiling to the Black wire and Blue wire from the fan motor assembly (C).
- Connect the White (neutral) wire from the ceiling to the White wire from the fan motor assembly (C).
- Connect the ground conductor of the 120-VOLT supply (this may be a bare wire or a wire with green colored insulation) to the green ground lead(s) of the fan. There is only one green ground lead from the mounting plate.
- Secure the wire connections with plastic wire nuts (CC) provided with the electrical hardware.
- After connecting the wires, spread them apart so that the green and white wires are on one side of the outlet box (1) and the black and blue wires are on the other side. Carefully tuck the wire connections up into the outlet box (1).



## Step 5. Mounting the fan (see figure 7)

**WARNING:** The locking slots of the ceiling canopy are provided only as an aid to mounting. Do not leave the fan assembly unattended until all four canopy screws are engaged and firmly tightened.

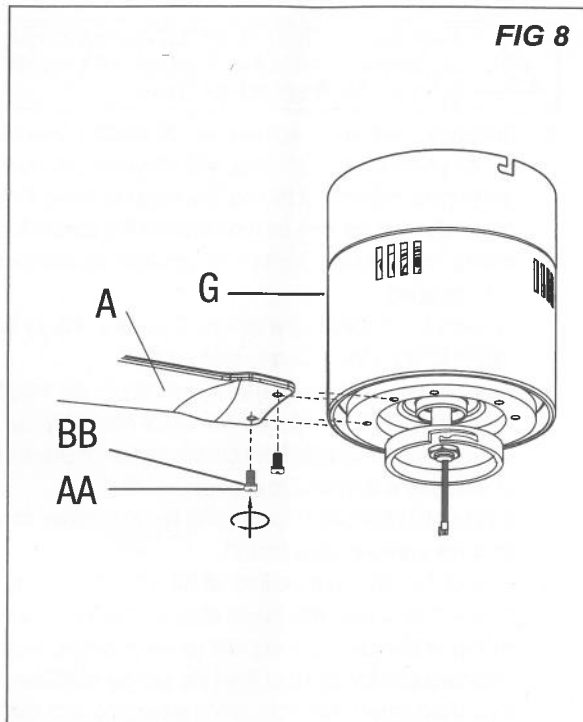
- Loosen the two set screws (DD1) from the mounting plate (B).
- Carefully unhook the fan from the mounting plate (B) and align the "L-shaped" slots of the ceiling canopy (C) with the two screws (DD2) in the mounting plate (B). Push up to engage the "L-shaped" slots and turn clockwise to lock the canopy (C) in place. Immediately tighten the two set screws (DD2) firmly.
- Install the remaining two set screws (DD1) into the holes in the canopy (C) and tighten firmly.



## Assembly - Flushmount (continued)

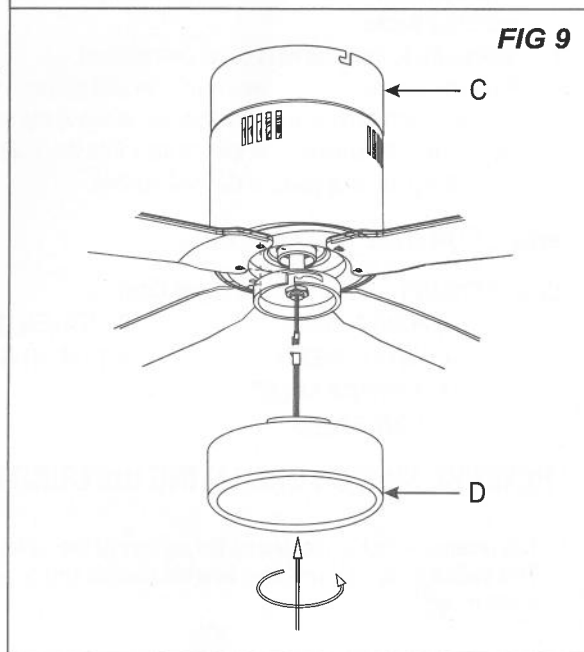
### Step 6. Attaching the fan blades (see figure 8)

- Attach the fan blades (A) to the fan motor assembly (G) by using the blade screws (AA) and fiber washers (BB). Tighten blade screws (AA) securely.
- Repeat these steps for the remaining blades (A).



### Step 7. Installing the lamp (see figure 9)

- A wire connector (female) is located inside the electrical switch housing and a male connector extends from the lamp. Push them together.
- A wire connector (male) is located inside the electrical switch housing and a female connector extends from the lamp. Push them together.
- Place the lamp (D) into the electrical switch housing aligning the three fat areas on the electrical switch housing with the three raised dimples in the lamp (D). Turn the lamp (D) clockwise until it stops.

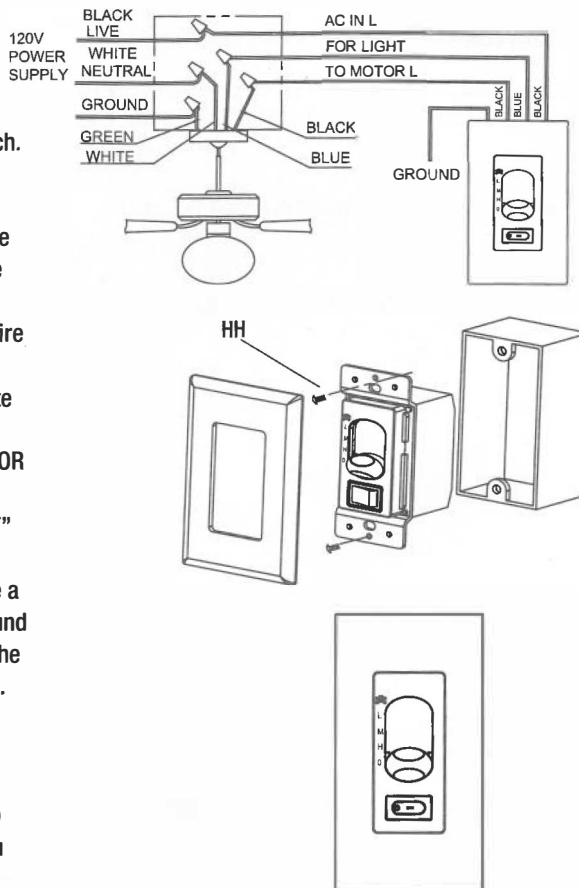


# Operation

## WALL CONTROL INSTALLATION

 Before you begin, **TURN OFF THE ELECTRICITY** at the main circuit panel or fuse box. If you feel unsure of this procedure, have a qualified electrician install this unit.

- ❑ Disconnect the power and remove the existing wall plate and switch. Set all knobs on the dual slide wall-mounted control in the OFF position. Installation of this control requires that a three conductor cable with ground wire be run between the control wall box and the ceiling fan outlet box. Make wire connections and secure with wire nuts supplied.
- ❑ Connect the Black (live) wire from the power supply to the Black wire "AC IN L" from the wall-mounted control.
- ❑ Connect the White (neutral) wire from the power supply to the White wire "TO MOTOR N" from the fan motor assembly (G).
- ❑ Connect the Black wire from ceiling fan to the Black wire "TO MOTOR L" from the wall-mounted control.
- ❑ Connect the Blue wire from ceiling fan to the Blue wire "FOR LIGHT" from the wall-mounted control.
- ❑ Connect the ground conductor of the 120-VOLT supply (this may be a bare wire or a wire with green colored insulation) to the green ground lead(s) of the fan. There are two green grounding leads: one from the mounting bracket and one from the hanger ball/downrod assembly. If for flush mount, Only one green grounding lead come from the mounting basket.
- ❑ Make sure to use wire nuts on all connections.
- ❑ Push the control unit into the switch box and secure it with the two screws at each end of the unit (this procedure is the same as if you were to put the original wall switch back into the wall).
- ❑ Now attach the face plate to the wall control.



## WALL CONTROL OPERATION

### Speed Control


O: POWER OFF  
 H: HIGHT SPEED  
 M: MEDIUM SPEED  
 L : LOW SPEED

### Light Control

O: POWER OFF  
 -: POWER ON

## REVERSE SWITCH OPERATING INSTRUCTIONS

The reverse switch is located on the surface of the motor assembly. This switch controls directions: forward (switch left) or reverse (switch right).

 **NOTE:** Wait for the fan to stop before reversing the direction of the blade rotation.

**Warm weather - (Counterclockwise Direction)** A downward air flow creates a cooling effect. This allows you to set your air conditioner on a warmer setting without affecting your comfort.

**Cool weather - (Clockwise Direction)** An upward air flow moves warm air off the ceiling. This allows you to set your heating unit on a cooler setting without affecting your comfort.

