

# WESTGATE

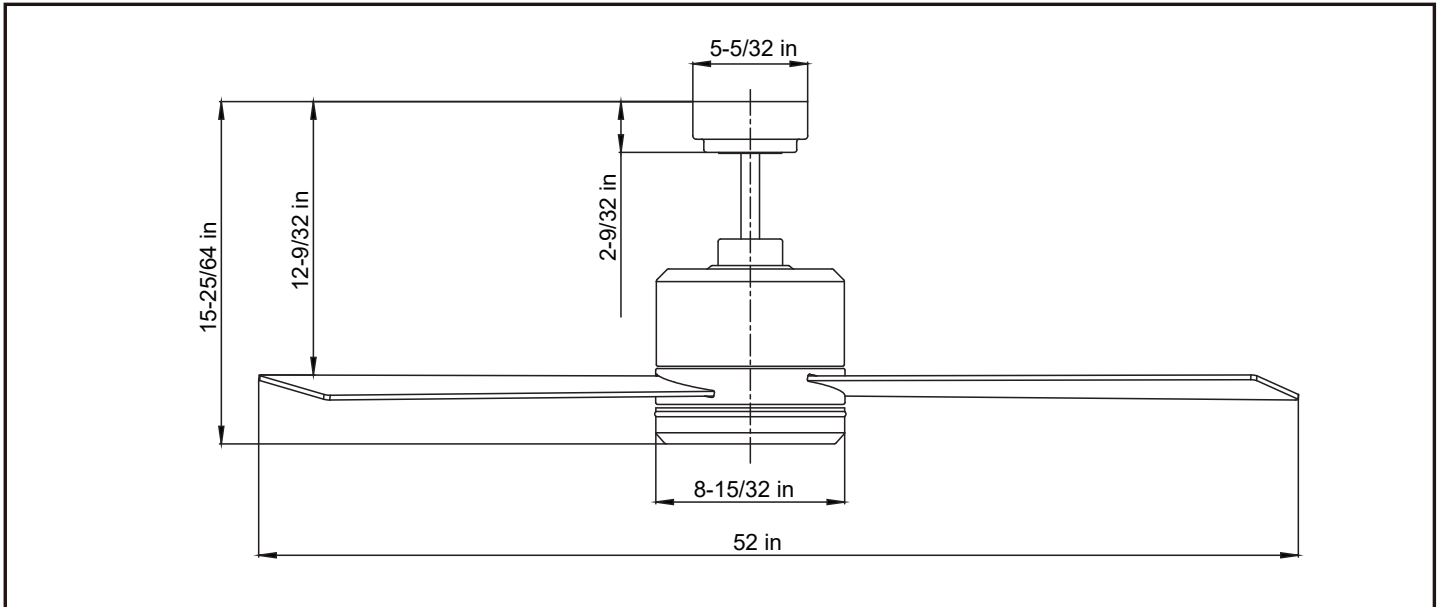
THE FUTURE IS HERE... AND IT'S QUITE BRIGHT!

PRODUCT NAME: WFL-116-WS-3B-52-30K-WH-WH  
WFL-116-WS-3B-52-30K-BK-BK  
WFL-116-WS-3B-52-30K-BN-RWS






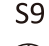



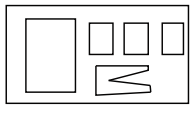


Please consult your electrician for hanging fixture and wiring.



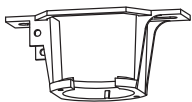
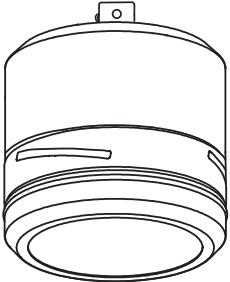
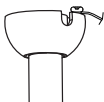
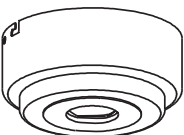

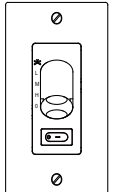

## Dimension Reference:



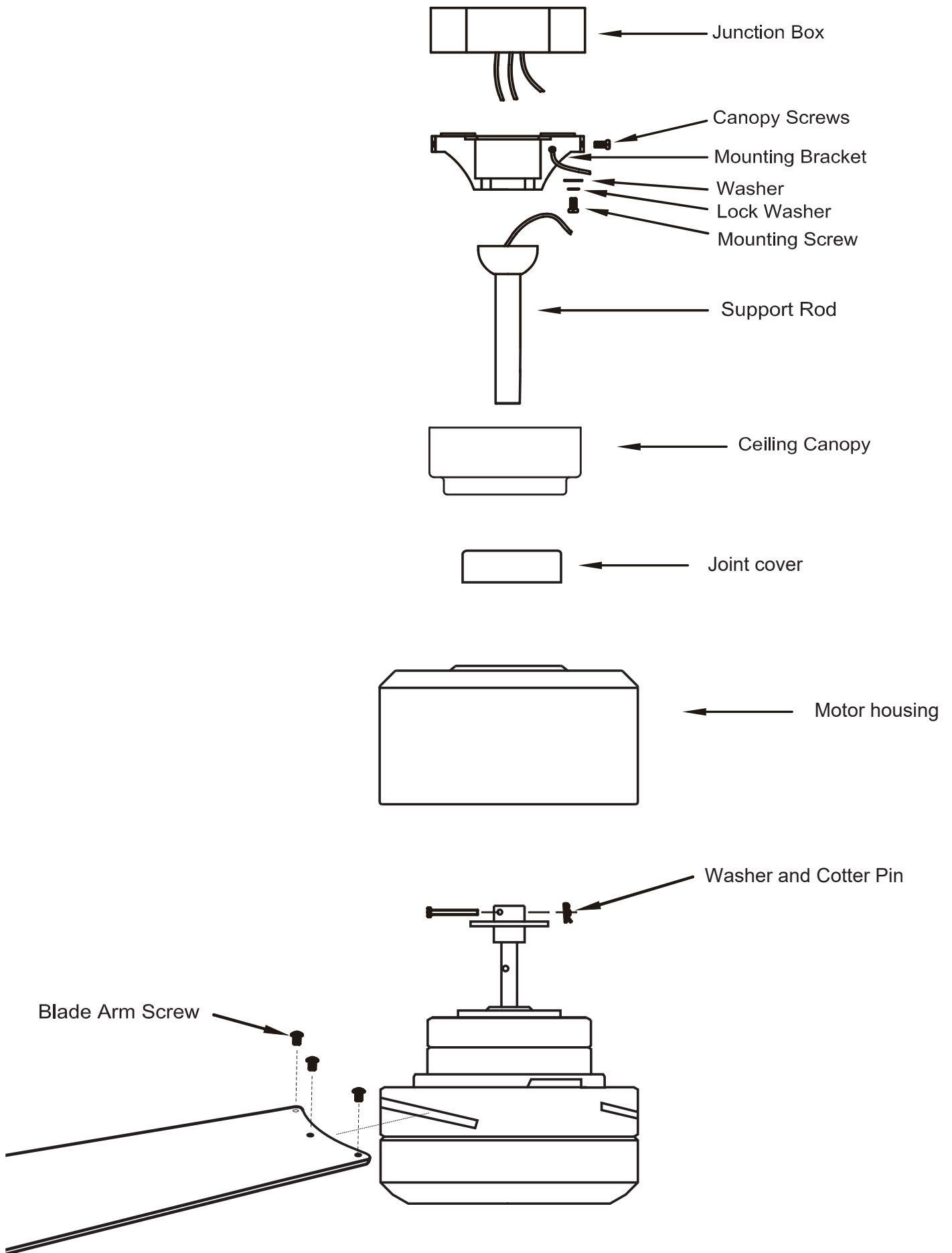
## Hardware Package Included:

Hardware Package		Quantity
 S1	 S8	S1. Blade Screws & Washers 10 S2. Machine Screws 2 S3. Machine Screws 2 S4. Wood Screws 2 S5. Washers 2 S6. Lock Washers 2 S7. Star Washers 2 S8. Wire Nuts 3 S9. Paper Washers 10 S10. Balance Kit 1
 S2	 S8	
 S3	 S9	
 S4	 S9	
 S5	 S10	
 S6		
 S7		

## Fan Parts Included:

Fan Parts		Quantity
 ← 1	 ← 5	1. Mounting Bracket 1
 ← 2		2. Support Rod & Cotter Pin 1
 ← 3		3. Canopy 1
 ← 4		4. Coupler Cover 1
 ← 6		5. Fan Motor Assambly 1
 ← 7	6. Wall Control 1	7. Fan Blade 3

# Exploded View:



# Safety Instructions:

**READ ALL SAFETY INFORMATION AND INSTALLATION INSTRUCTIONS BEFORE YOU BEGIN INSTALLING THE FAN. IF YOU ARE NOT FAMILIAR WITH NATIONAL AND LOCAL ELECTRICAL CODES AND BASIC ELECTRICAL WIRING PROCEDURES WE RECOMMEND THAT YOU HAVE A QUALIFIED ELECTRICIAN INSTALL YOUR NEW CEILING FAN. SAVE INSTRUCTIONS.**

- To avoid the risk of electrical shock be sure to shut off power at the main fuse or circuit breaker box before installing or servicing this fixture.
- Make sure that all wiring conforms to national and local electrical codes. If you are in question obtain a copy of the codes and wire the fan accordingly. Never leave bare wire uncovered, use wire nuts to cap all connections. Plastic electrical tape is not recommended.
- Basic requirements for a ceiling fan installed with lights are 120V AC-60Hz on a grounded circuit with a 15 amp breaker or fuse. Make sure that your electrical system and choice of location meet these requirements.
- If the location where you plan to install your fan does not already have an electrical outlet, hire a licensed electrician to run the wiring and install an outlet box designed for ceiling fans or heavy fixtures. The outlet box should be able to support a minimum moving weight of 50 pounds and marked "Acceptable for Fan Support" (*Plastic outlet boxes are not recommended for ceiling fan installation*).
- If you plan to use an existing electrical location check to make sure that the outlet box is not PLASTIC, that it is securely attached and able to support at least 50 pounds of moving weight marked "Acceptable for Fan Support". If you have any questions, outlet boxes and support systems for ceiling fans are available at most hardware and do-it-yourself centers. In most cases your URBAN33 dealer will have all the necessary products for the proper and safe installation of your ceiling fan.
- The location you choose should have a minimum clearance of 20 inches from any wall to the blade tip at any point in its rotation and a minimum of 7 feet from blade level to floor and 10 inches from the blades to the ceiling.
- This ceiling fan was not designed for installation in any location where it might be exposed to moisture or high humidity. Installation in this type of location could be UNSAFE, will most likely damage the fan and its finish...and will VOID YOUR WARRANTY.
- Every effort has been made to provide you with proper instructions for the safe installation of this ceiling fan. You could however, encounter situations or problems not covered in this manual. Should this occur, please refer to a do-it-yourself wiring handbook or hire a qualified electrician to install your fan.
- Lubrication of your new ceiling fan is not necessary. The ball bearings have been adequately charged with grease and permanently sealed at the factory so that, under normal conditions, further attention is not necessary.
- NOTE: The safeguards provided by these safety instructions and by any separate installation instructions are not meant to cover all possible conditions and situations that may occur. It must be understood that common sense, caution and care are factors which can not be built into this product. These factors must be supplied by the person(s) installing, caring for and operating fan.

# Installation Instructions:

## Step 1 Attaching The Fan Blades

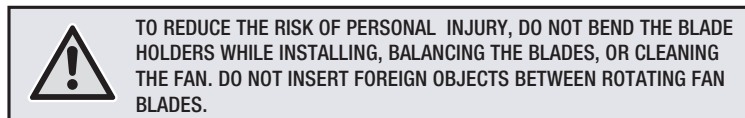
Remove the screws from coupler cover and lift the coupler cover and set aside. Remove the screws from top plate located on the motor yoke. Lift top plate and set aside.(see **figure 1**)

Time Saver: Washers for blade screws can be set on each blade screw prior to installing blades.

Locate 9 pcs blade attachment screws and washers in the hardware pack. Slide a blade through the center band and align holes. Insert 3 pieces blade screws and washers with fingers. Tighten securely with a phillips screwdriver. Repeat for the remaining blades. (see **figure 2**)

Reattach top plate to motor yoke and install it by aligning the key slot holes on the motor yoke using previously removed screws. (see **figure 3**)

Note:If you are using an extended support rod, (longer than the one supplied with your fan) remove the half ball from the support assembly and attach it to the extended support rod at this point. Make sure to retighten the set screw and insert the safety pin.



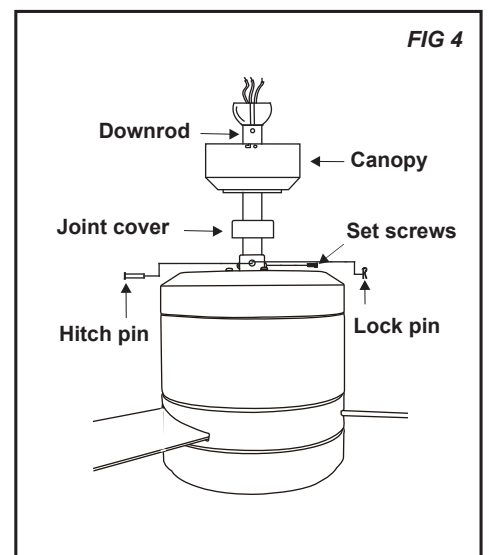
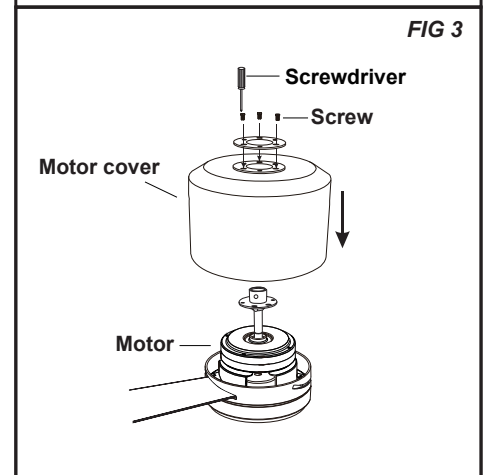
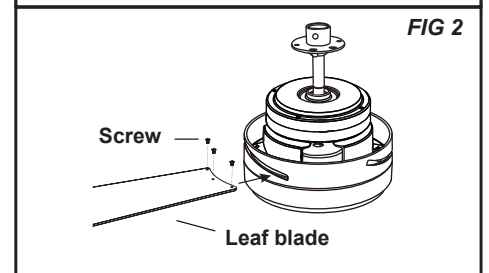
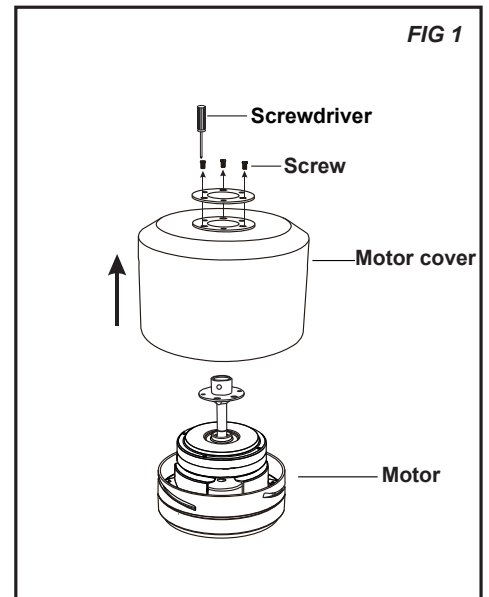
## Step 2 Fan Assembly With Support Rod

Route wires exiting from the top of the fan motor through the canopy and then through the ball/downrod. (see **figure 4**)

Align the holes at the bottom of the downrod with the holes in the collar on top of the motor housing.

Carefully insert the hitch pin through the holes in the collar and downrod.

Be careful not to jam the pin against the wiring inside the downrod. Insert the locking pin through the hole near the end of the hitch pin until it snaps into its locked position. (see **figure 4**)



### Step 3 Install Mounting Bracket

Loosen the two canopy mounting screws on the downside face of the mounting bracket. Back them out about half way. This will allow for easier installation of the ceiling canopy later (see **figure 5**).

Install the mounting bracket onto the electrical junction box in the ceiling using two machine screws, two washers and two lock washers (see **figure 6**).

The mounting bracket has slotted holes to enable it to move sideways for proper alignment. Make sure the mounting bracket is centered over the electrical junction box and that it is securely attached (see **figure 7**).

NO MOVEMENT SHOULD OCCUR BETWEEN THE MOUNTING BRACKET AND THE ELECTRICAL JUNCTION BOX.

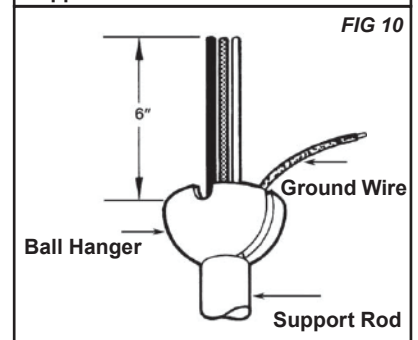
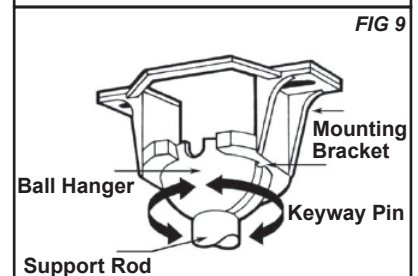
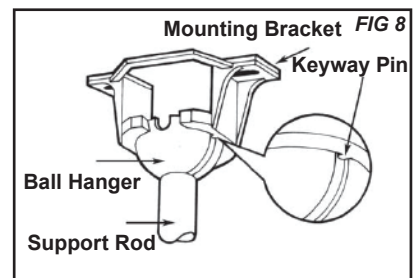
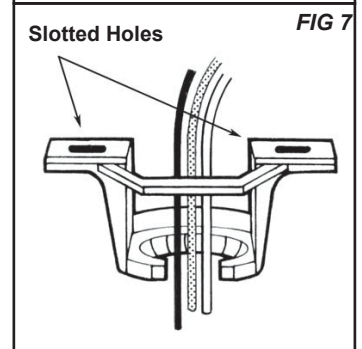
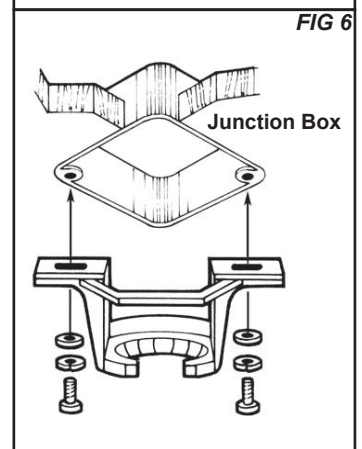
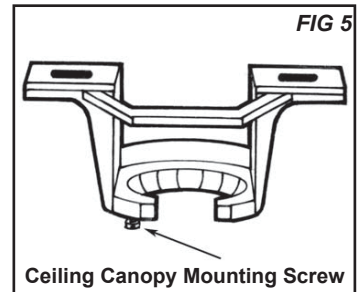
Pull the electrical wires in the junction box down and through the mounting bracket.

### Step 4 Hanging the Fan Body

Notice the half ball on the end of the support rod is grooved down one side (see **figure 8**). This Keyway fits over the small keyway pin on the inside of the mounting bracket and keeps the ceiling fan from spinning on the mounting bracket.

Using your step ladder, lift the fan and place the half ball in the center of the mounting bracket with the keyway pin inserted into the keyway on the ball. Turn the fan left and right slightly to make sure it is seated on the bracket with the keyway pin in the keyway (see **figure 9**).

Trim the lead wires, leaving about six inches of each wire extending from the support rod (see **figure 10**).



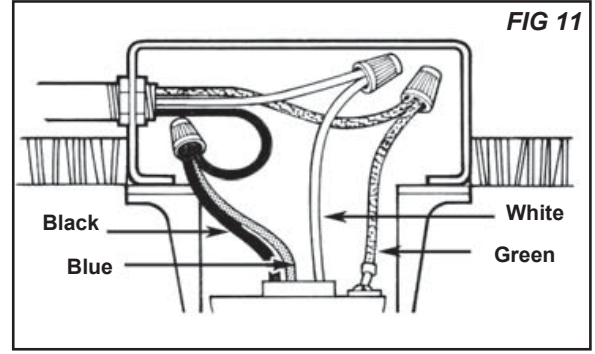
### Step 5 Making the Electrical Connections

Attach the GREEN wire (connected to the half ball) to the GROUND wire in the junction box. The GROUND wire is usually a bare copper wire without plastic insulation. It could also be covered in green plastic insulation.

Attach the BLACK wire and BLUE wire from the ceiling fan to the BLACK wire in the junction box.

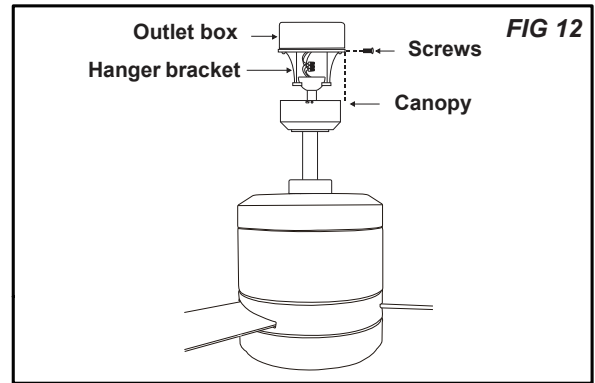
Attach the WHITE wire from the ceiling fan to the WHITE wire in the junction box.

Fold the connected wires (see **figure 11**) and push them up inside the electrical junction box with the BLACK and BLUE wires to one side and the WHITE and GREEN to the other side. Make sure the wire nuts do not come loose during this operation.



### Step 6 Standard Ceiling Installation

Slide canopy up to the ceiling as shown in (see **figure 12**). Make sure you place the wires safely into the outlet box. Secure the canopy to the hanger bracket with the four screws with your fan.

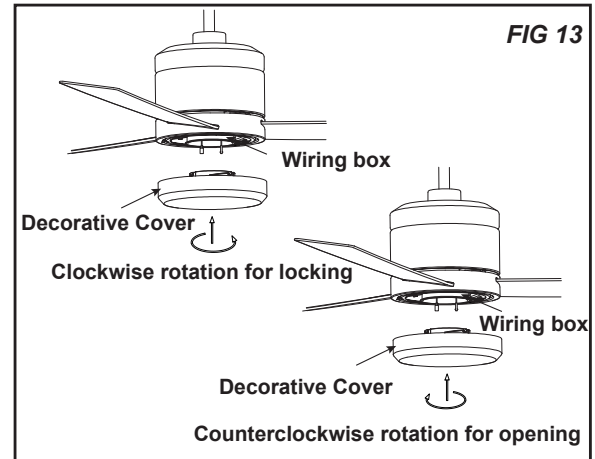


### Step 7 Replacement Method For Light Fixture

Decorative cover or replacement cover Installation does not require tools. (Extra cover not included)

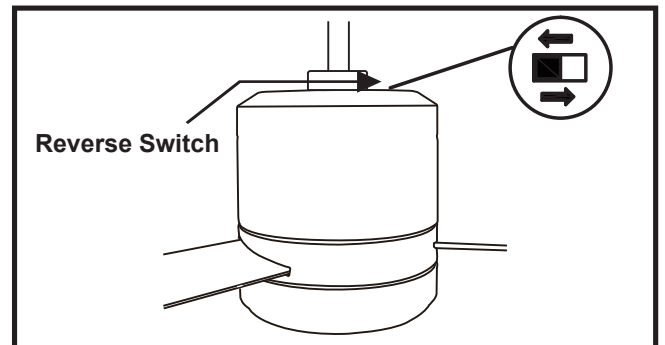
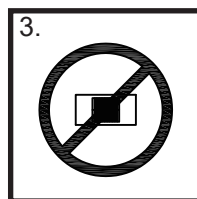
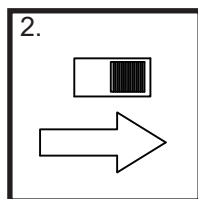
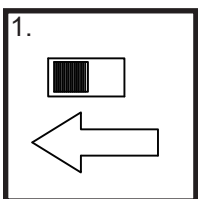
Step 1 Loosen the light fixture counterclockwise, then loosen the two lamp wires. (see **figure 13**)

Step 2 Place the light fixture into the electrical switch housing aligning the three flat areas on the light fixture with the three raised dimples in the light fixture. Turn the light fixture clockwise until it stops. (see **figure 13**)




## Operation:

Turn fan completely off before moving the reverse switch. Set reverse switch to recirculate air depending on the season: LEFT position in summer (1), RIGHT position in winter (2). IMPORTANT: If the reverse switch is set in the (3) middle position the fan will not operate.



# Operation (continued):

## WALL CONTROL INSTALLATION

 Before you begin, **TURN OFF THE ELECTRICITY** at the main circuit panel or fuse box. If you feel unsure of this procedure, have a qualified electrician install this unit.

Disconnect the power and remove the existing wall plate and switch. Set all knobs on the dual slide wall-mounted control in the OFF position. Installation of this control requires that a three conductor cable with ground wire be run between the control wall box and the ceiling fan outlet box. Make wire connections and secure with wire nuts supplied.

Connect the Black (live) wire from the power supply to the Black wire "AC IN L" from the wall-mounted control.

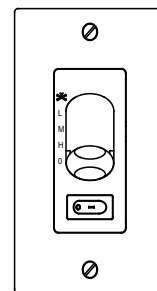
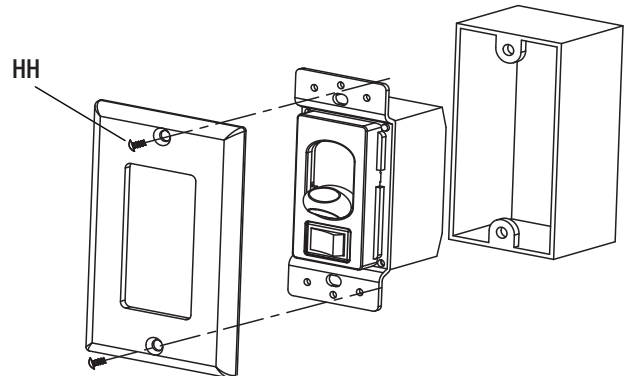
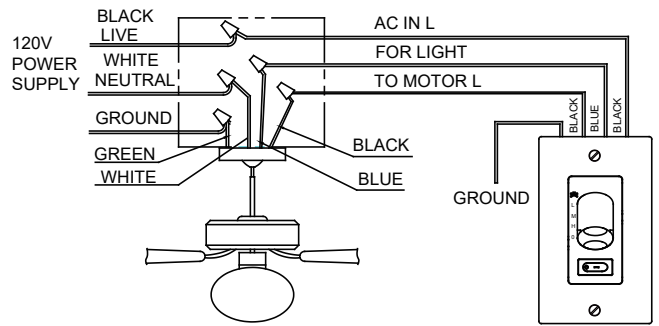
Connect the White (neutral) wire from the power supply to the White wire from the fan motor assembly (G).

Connect the Black wire from ceiling fan to the Black wire "TO MOTOR L" from the wall-mounted control.

Connect the Blue wire from ceiling fan to the Blue wire "FOR LIGHT" from the wall-mounted control.

Make sure to use wire nuts on all connections.

Push the control unit into the switch box and secure it with the two screws at each end of the unit (this procedure is the same as if you were to put the original wall switch back into the wall). Now attach the face plate to the wall control.



## WALL CONTROL OPERATION

### Speed Control

- O: POWER OFF
- H: HIGHT SPEED
- M: MEDIUM SPEED
- L : LOW SPEED

### Light Control

- O: POWER OFF
- : POWER ON

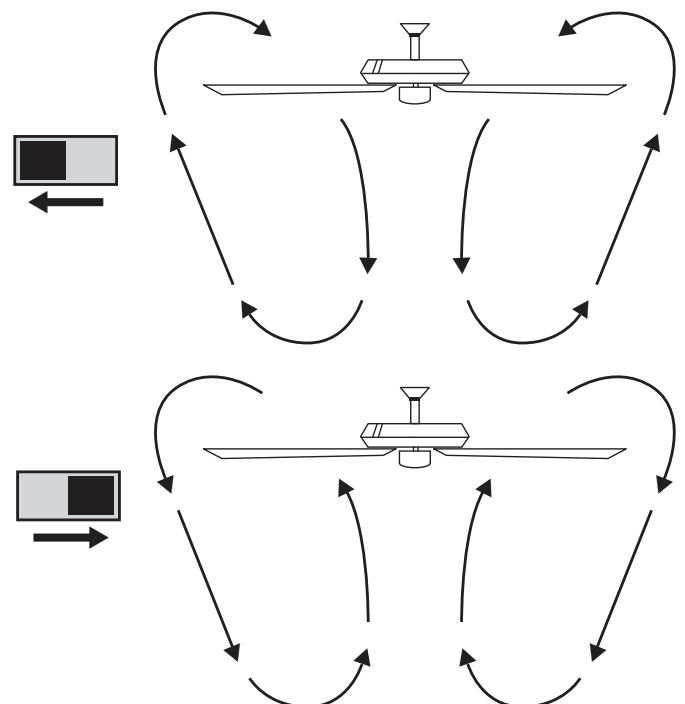
## REVERSE SWITCH OPERATING INSTRUCTIONS

The reverse switch is located on the surface of the motor assembly. This switch controls directions: forward (switch left) or reverse (switch right).

 **NOTE:** Wait for the fan to stop before reversing the direction of the blade rotation.

**Warm weather - (Counterclockwise Direction)** A downward air flow creates a cooling effect. This allows you to set your air conditioner on a warmer setting without affecting your comfort.

**Cool weather - (Clockwise Direction)** An upward air flow moves warm air off the ceiling. This allows you to set your heating unit on a cooler setting without affecting your comfort.





# Maintenance:

Your fan requires very little maintenance. Cleaning of the housing should be done with a damp soft cloth (NO CLEANING AGENTS). On the blades, use a duster or dry cloth because any moisture could cause the blades to warp.

Conforms To D.O.E. EPACKT Regulation  
Limited Lifetime Warranty Applies To Fan Motor Only

## Troubleshooting Guide:

If you have difficulty operating your new ceiling fan it may be the result of incorrect assembly, installation, or wiring. In some cases these installation errors may be mistaken for defects. If you experience any faults please check this troubleshooting guide.

<b>Problem</b>	<b>Suggested Remedy:</b>
1. If fan does not start:	<ol style="list-style-type: none"><li>1. Check main and branch circuit fuses or circuit breakers.</li><li>2. Check line wire connections to fan and switch wire connections in switch housing. CAUTION: Make sure main power is turned off.</li><li>3. Make sure forward/reverse switch is firmly in up or down position. Fan will not operate when switch is in the middle.</li><li>4. Make sure that the wall controller is turned "ON".</li></ol>
2. If fan sounds noisy:	<ol style="list-style-type: none"><li>1. Make sure all screws in motor housing are snug (not over tightened).</li><li>2. Make sure the screws which attach the fan blade holder to the motor are tight.</li><li>3. Make sure wire nut connectors in switch housing are not rattling against each other or against the interior wall of the switch housing. CAUTION: Make sure main power is turned off before entering switch housing.</li><li>4. If using an optional ceiling fan light kit check to be sure the screws securing the glass shade are tight. Check to be sure the light bulb is tight on the socket and not touching the glass shade.</li><li>5. Some fan motors are sensitive to signals from solid state variable speed controls. DO NOT USE a solid state variable speed control.</li><li>6. Your ceiling fan's "break in" period is 24 hours of operation. Most noises associated with a new fan will disappear after this period.</li></ol> <p>All blades are weighed and grouped by weight. Natural woods vary in density which could cause the fan to wobble even though all blades are weight-matched. The following procedures should eliminate most of the wobble. Check for wobble after each step.</p> <ol style="list-style-type: none"><li>1. Check that all blades are screwed firmly into blade holders.</li><li>2. Check that all blade holders are tightened securely to motor.</li><li>3. Make sure that canopy and mounting bracket are tightened securely to ceiling junction box and junction box is mounted firmly to ceiling joist.</li><li>4. Most fan wobble problems are caused when blade levels are unequal. Check this level by selecting a point on the ceiling above the tip of one of the blades keeping measure within 1/8 in. Rotate the fan until the next blade is positioned for measurement. Repeat for each blade. If all blade levels are not equal you can adjust blade levels by the following procedure. To adjust a blade tip down insert a washer (not supplied) between the blade and blade holder at the screw closest to the motor. To adjust a blade tip up insert washer (not supplied) between the blade and blade holder at the two screws farthest from the motor.</li><li>5. If blade wobble is still noticeable interchanging two adjacent (side by side) blades can redistribute the weight and possibly result in smoother operation.</li></ol>
3. If fan wobbles:	<ol style="list-style-type: none"><li>1. Check blue wire from fan to make sure it is connected to hot wire from the house.</li><li>2. Check for loose or disconnected wires in fan switch housing.</li><li>3. Check for loose or disconnected wires in light kit.</li></ol>
4. If light does not work:	<ol style="list-style-type: none"><li>4. Check for faulty light bulbs. CAUTION: Make sure main power is turned off before entering switch housing.</li><li>5. If the fan light shuts off shortly after being switched on it may be due to excessive current demand. Turn off power to the fan and replace the light bulbs with lower wattage bulbs. Turn on power to the fan using the pull chain, wall switch, or remote control (whichever is installed on the particular fan).</li></ol>