

Read Instruction manual carefully to ensure proper installation.
Please keep this instruction manual for future using!

⚠ WARNING

To avoid the risk of fire, or electric shock this product should be installed, inspected, and maintained by a qualified electrician only. Installation should be completely by an individual familiar with the construction and operation of the luminaire. Installation of luminaire must be in accordance with nation and local building and electrical codes.

Safety Warning:

- To avoid electric shock:
Be certain electrical power is OFF before and during installation and maintenance.
Luminaire must be supplied by a wiring system with an equipment grounding conductor.
- To avoid burning hands:
Make sure lens and housing are cool when performing maintenance.
- To avoid product degradation:
Make sure the wire supply voltage is the same as the luminaire supply
Use proper supply wiring as specified on the luminaire nameplate.
Avoid use in environments containing sulfur, chlorine, or other halides, methyl acetate or ethyl acetate, cyanoacrylates, glycol ethers, formaldehyde or butadiene.

Notes:

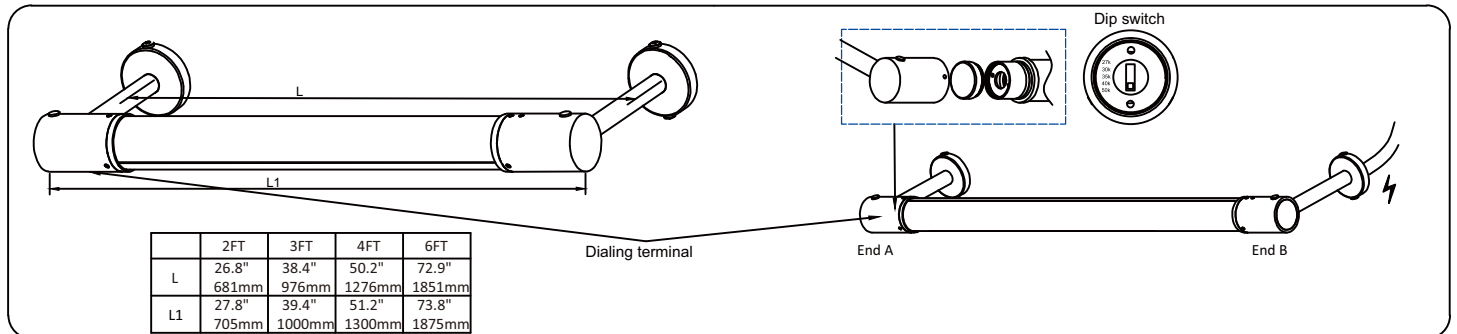
- Instructions do not cover all details and all possible product configurations.
- Do not restrict luminaire ventilation.
- Ensure LED luminaire is not covered with material that will prevent convection or conduction cooling.
- Ensure LED luminaire has the correct polarity before installation
- Avoid exposing wiring to metal edges and sharp objects.

Maintenance:

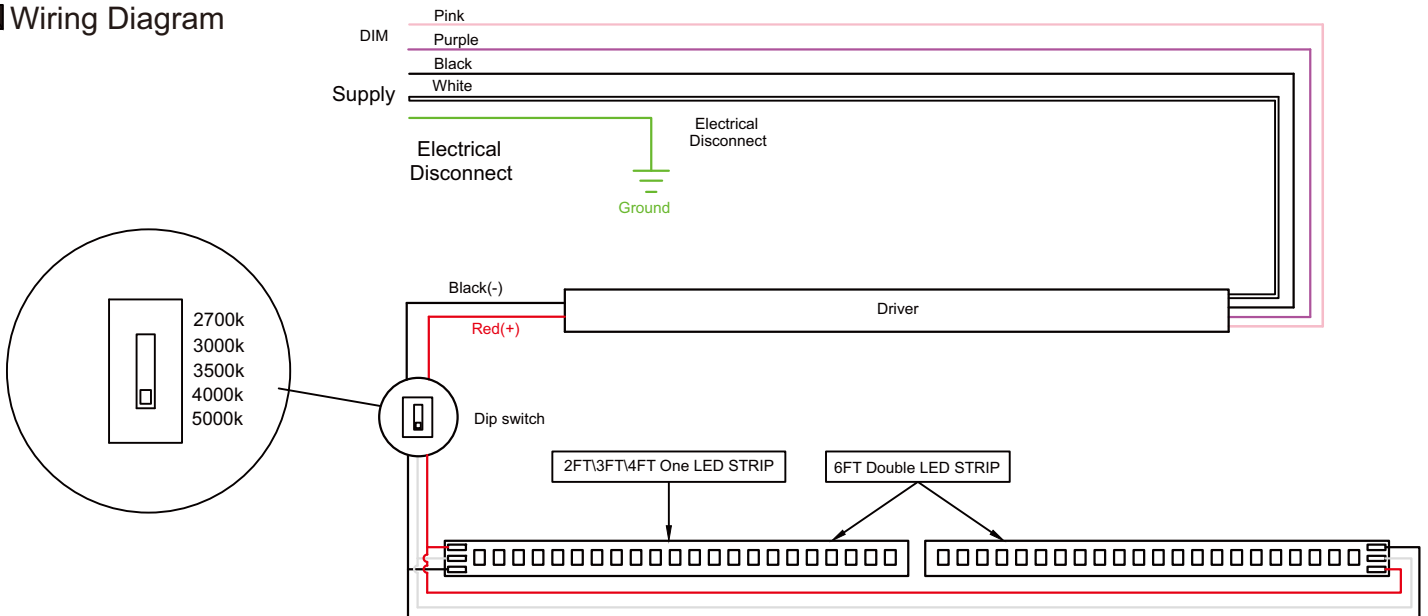
Perform visual, electrical, and mechanical inspections on a regular basis. The environment and frequency of use should determine this. However, it is recommended that checks be made at least once a year. Electrically check to make sure that all connections are clean and tight. Mechanically check that all parts are properly assembled.

■ Installation Dimension

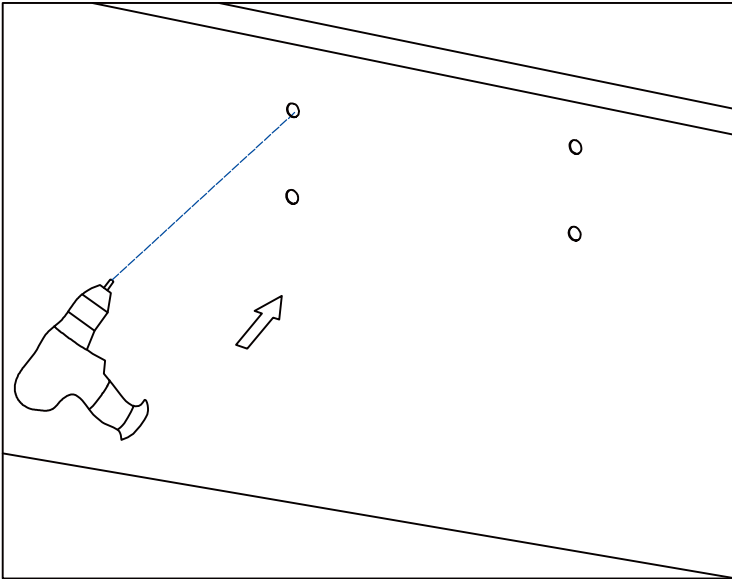
■ Dip switch for CCT



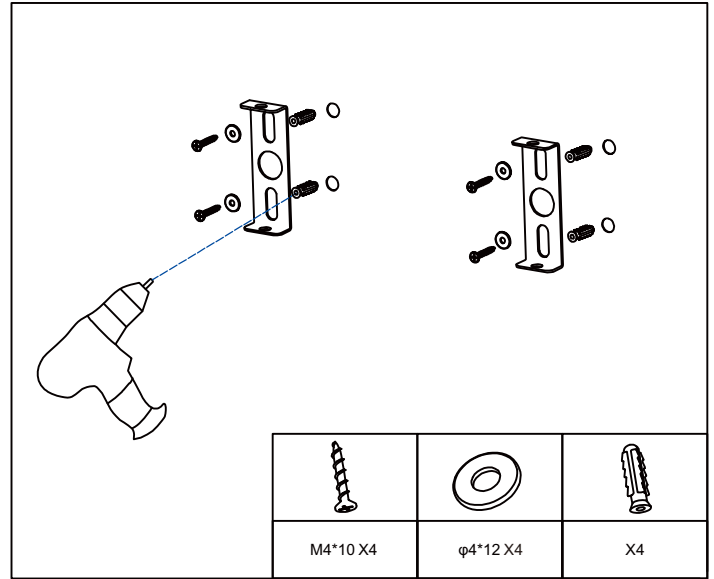
■ Wiring Diagram



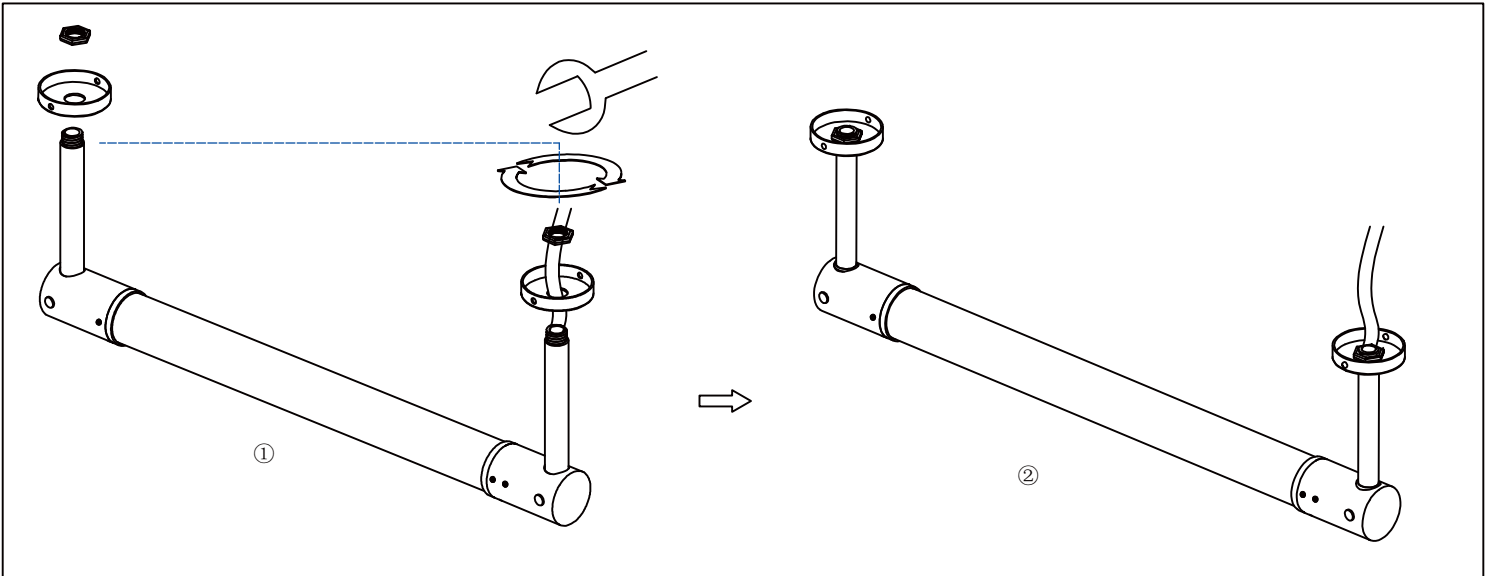
■ Wall Mounted



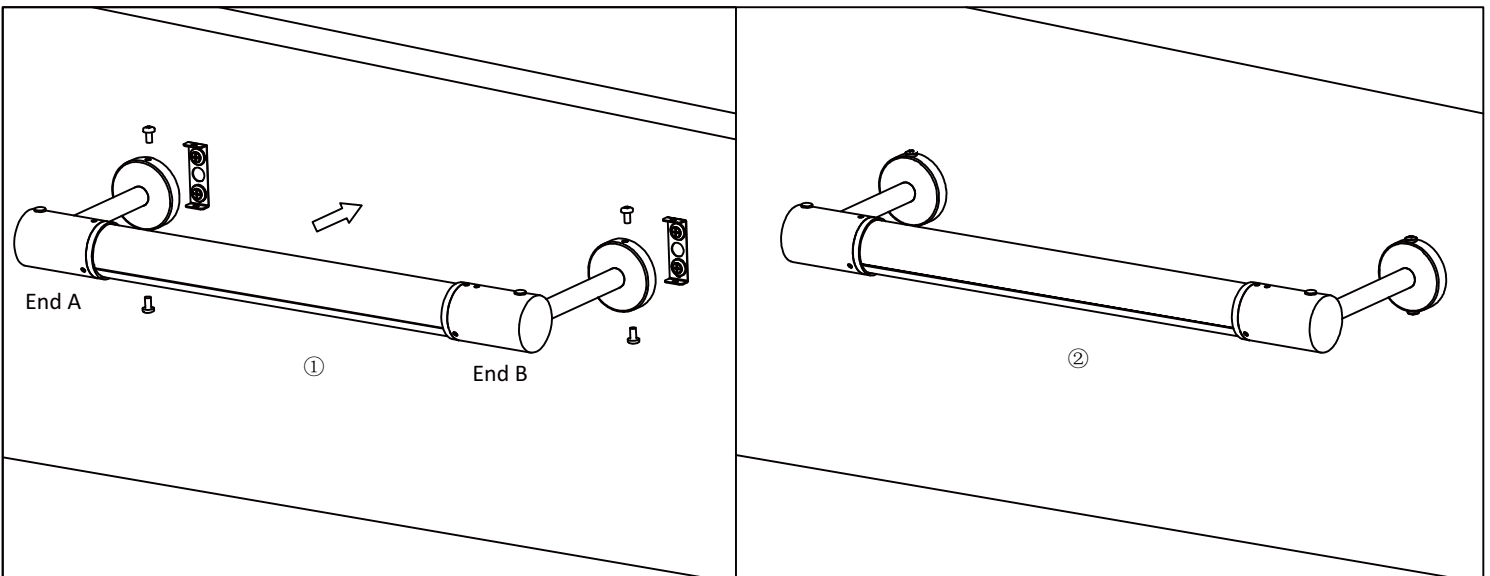
A) Drill holes in the wall.



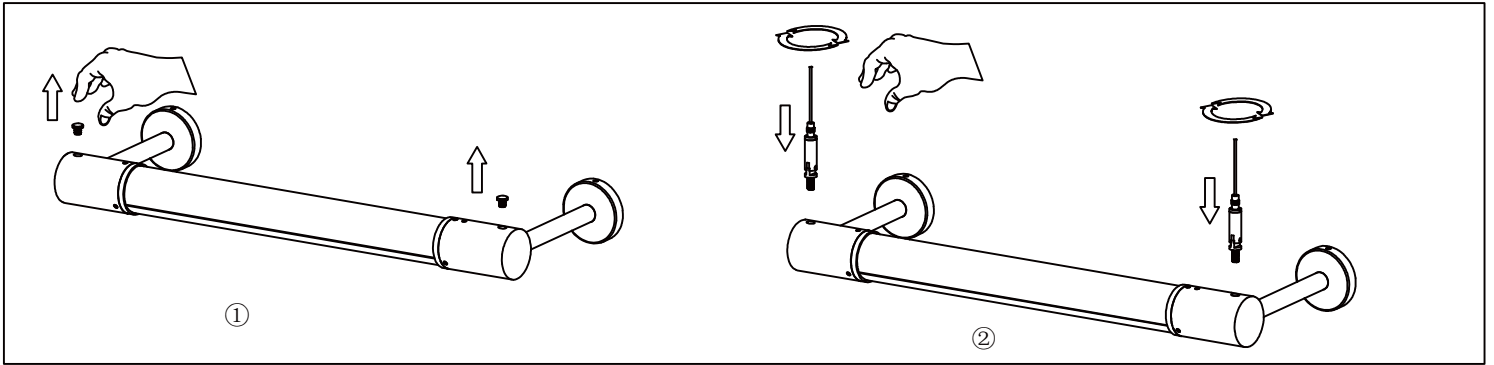
B) Install the crossbar.



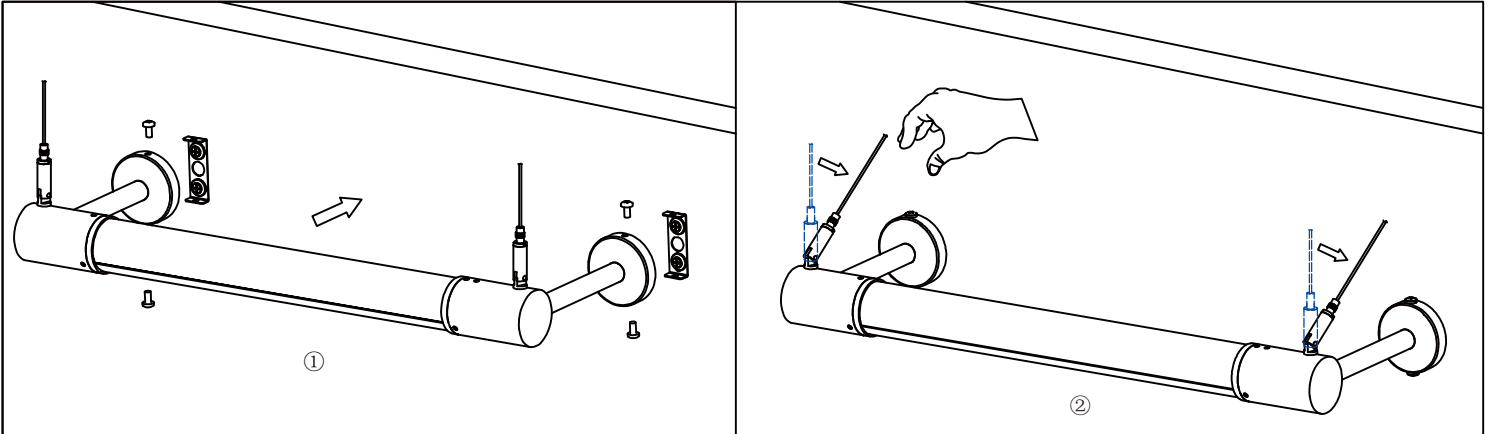
C) Secure the canopy with rod by using nut.



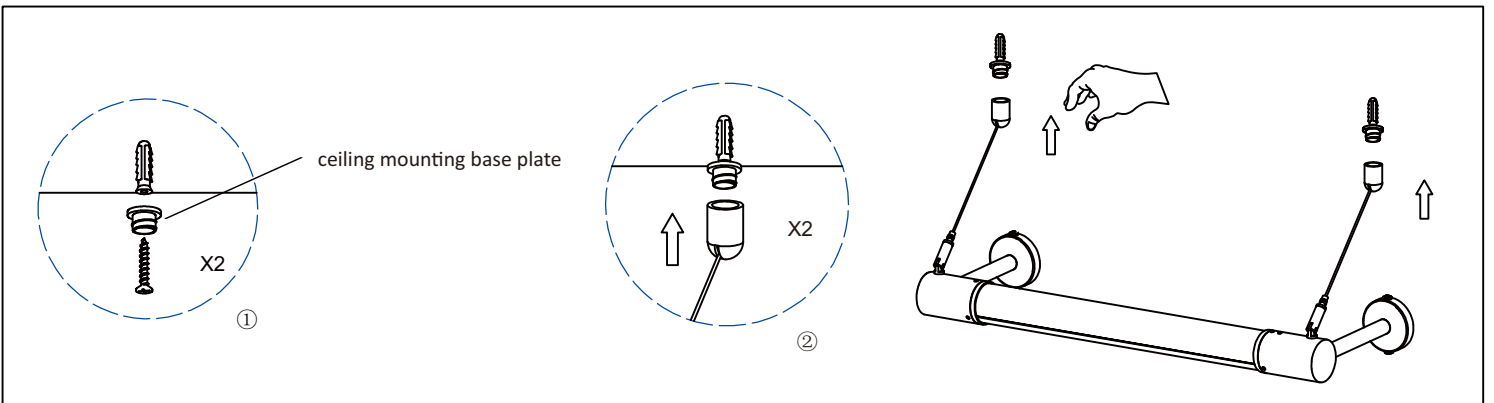
D) Mount the lighting fixture on the wall and fasten the canopy with screws.



E) Remove the silicone plugs from the end caps and screw the gripper into place.

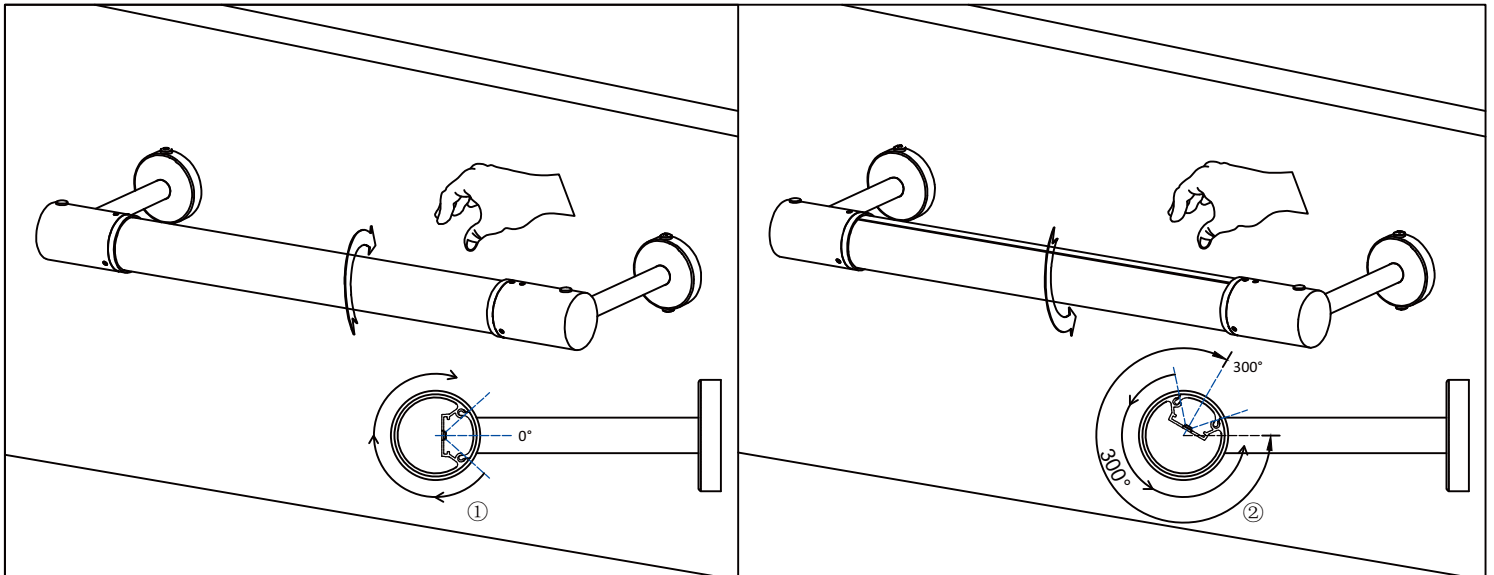


F) Mount the lighting fixture on the wall and fasten the canopy with screws, then adjust the angle of the gripper.



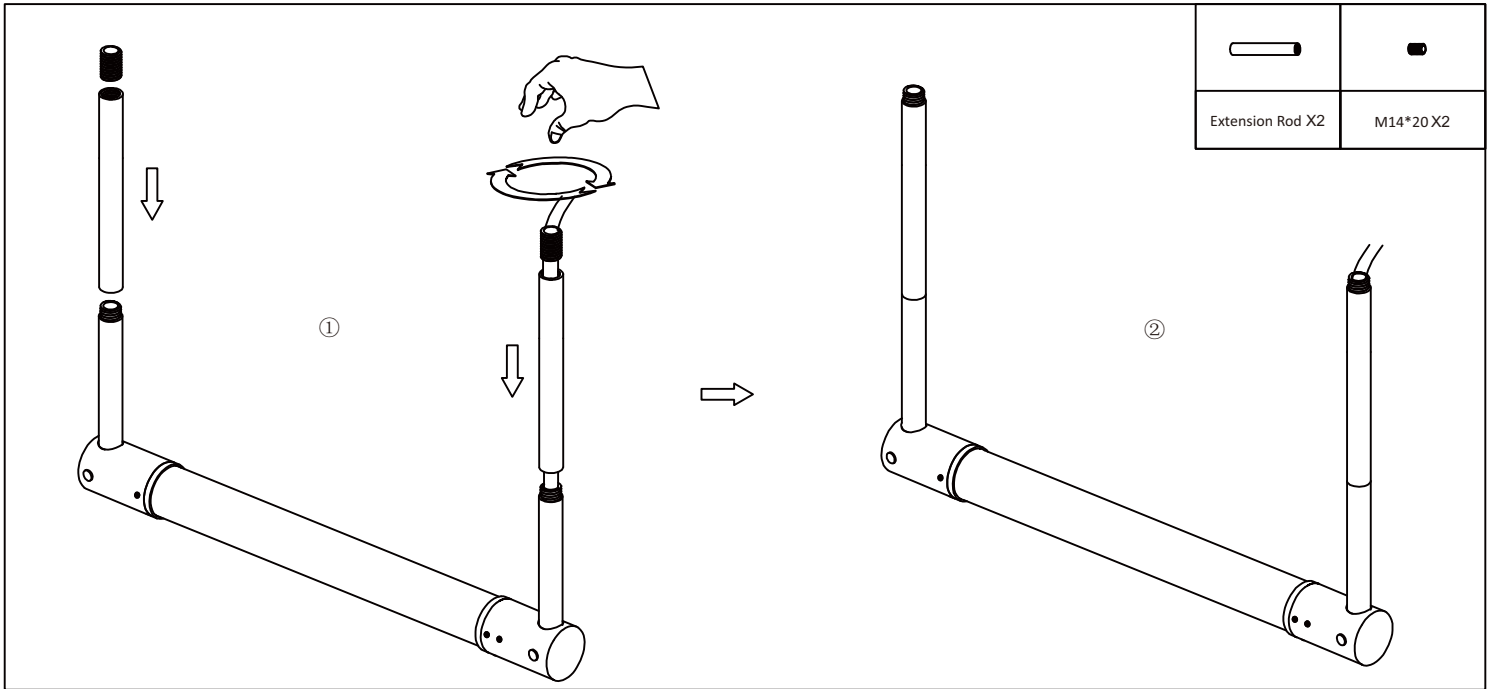
G) Install the ceiling mounting base plate on the ceiling, and screw the bullet heads into the ceiling mounting base plates.

■ Fixture Rotation

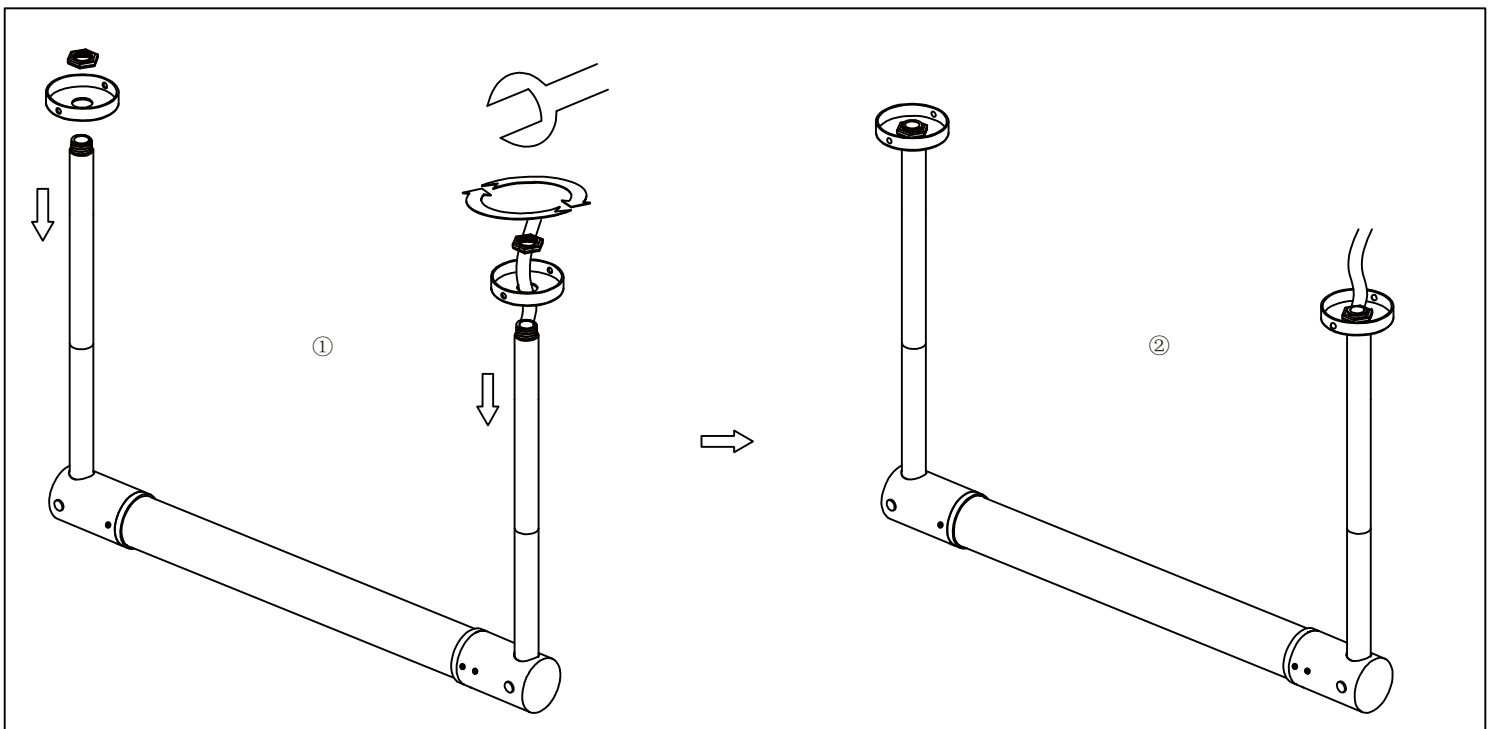


H) After mounting the lighting fixture on the wall, rotate according to the direction above exactly.

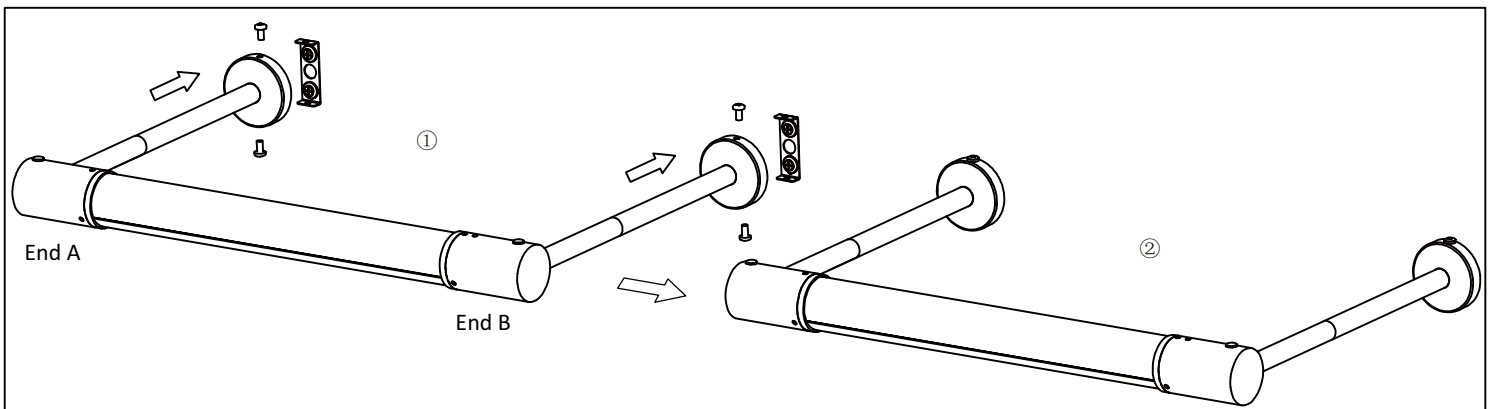
■ Extension Rod Kit Assembly



A) Extension rod with internal coupler provided as additional accessories, use when long arm needed.

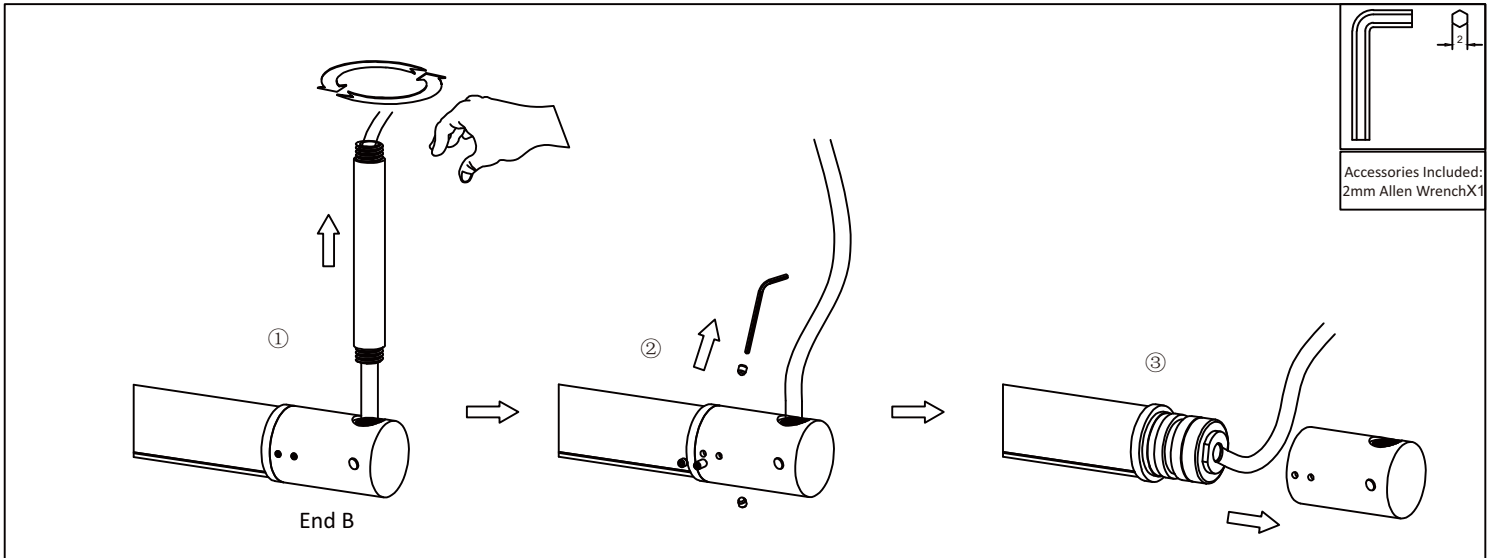


B) Secure the canopy with rod by using nut.

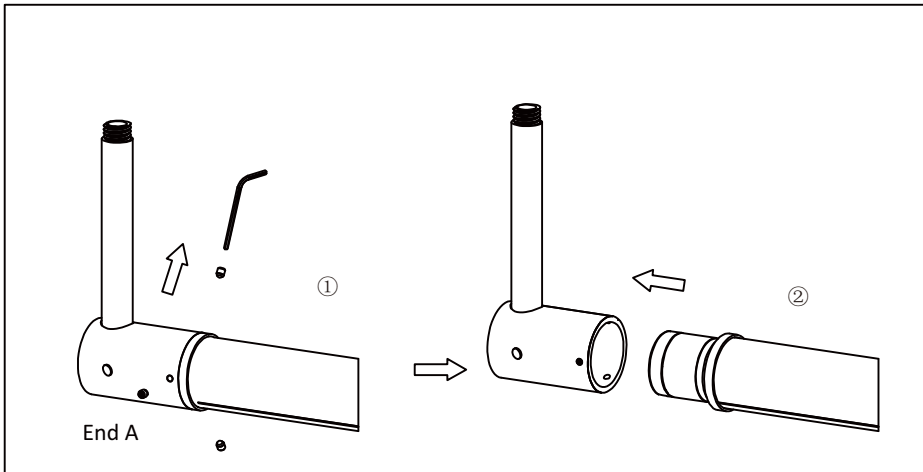


D) Mount the lighting fixture on the wall and fasten the canopy with screws.

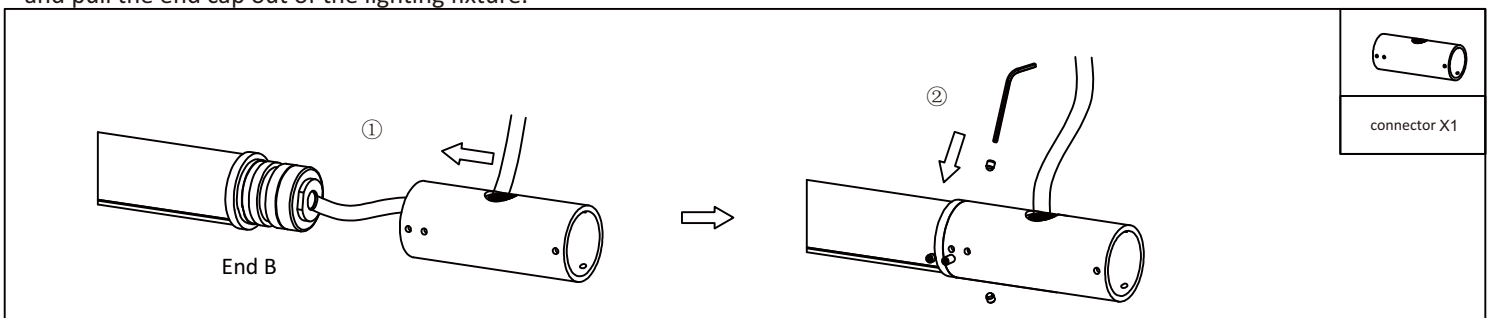
■ Fixture connection



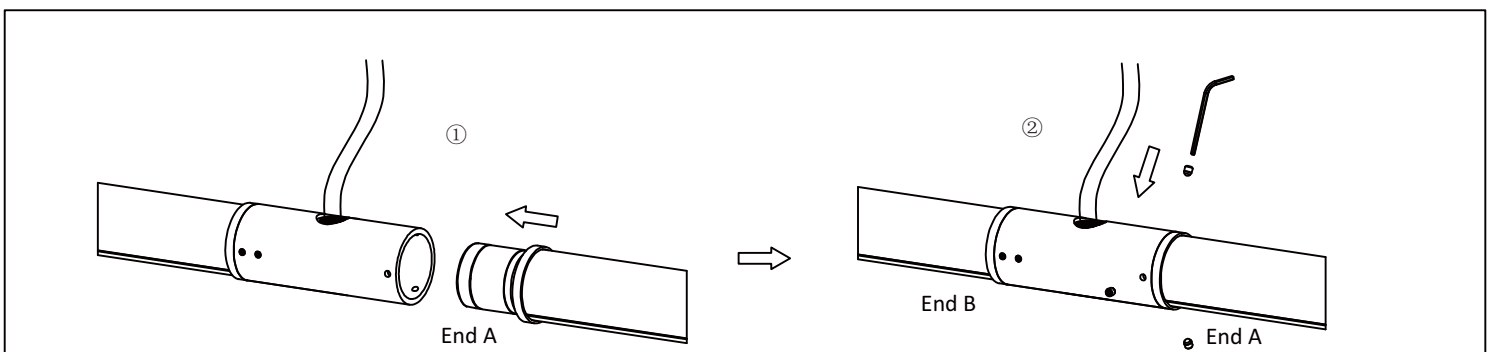
A) Take one fixture, remove the rod with power cord (label with End B), loosen the set screw with the Allen Wrench, and pull the end cap out of the lighting fixture.



B) Take another fixture, remove the rod at the Dip switch end (End A), loosen the set screw with the Allen Wrench, and pull the end cap out of the lighting fixture.

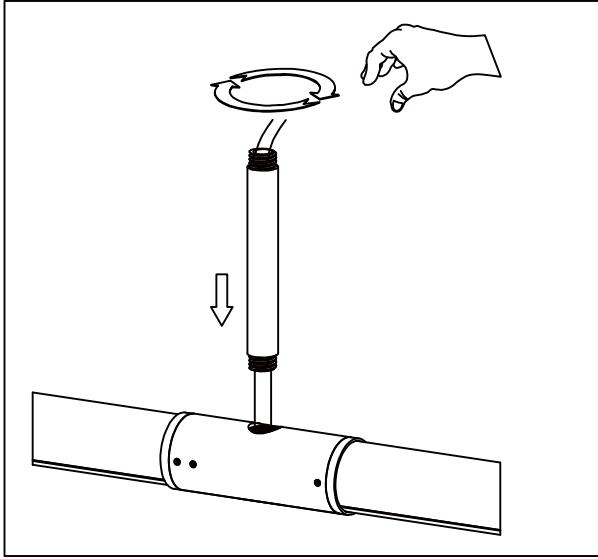


C) Pass the power cord through the hole in the middle of the connector, then connect the fixture to the connector, and tighten the set screw in place with the Allen Wrench.

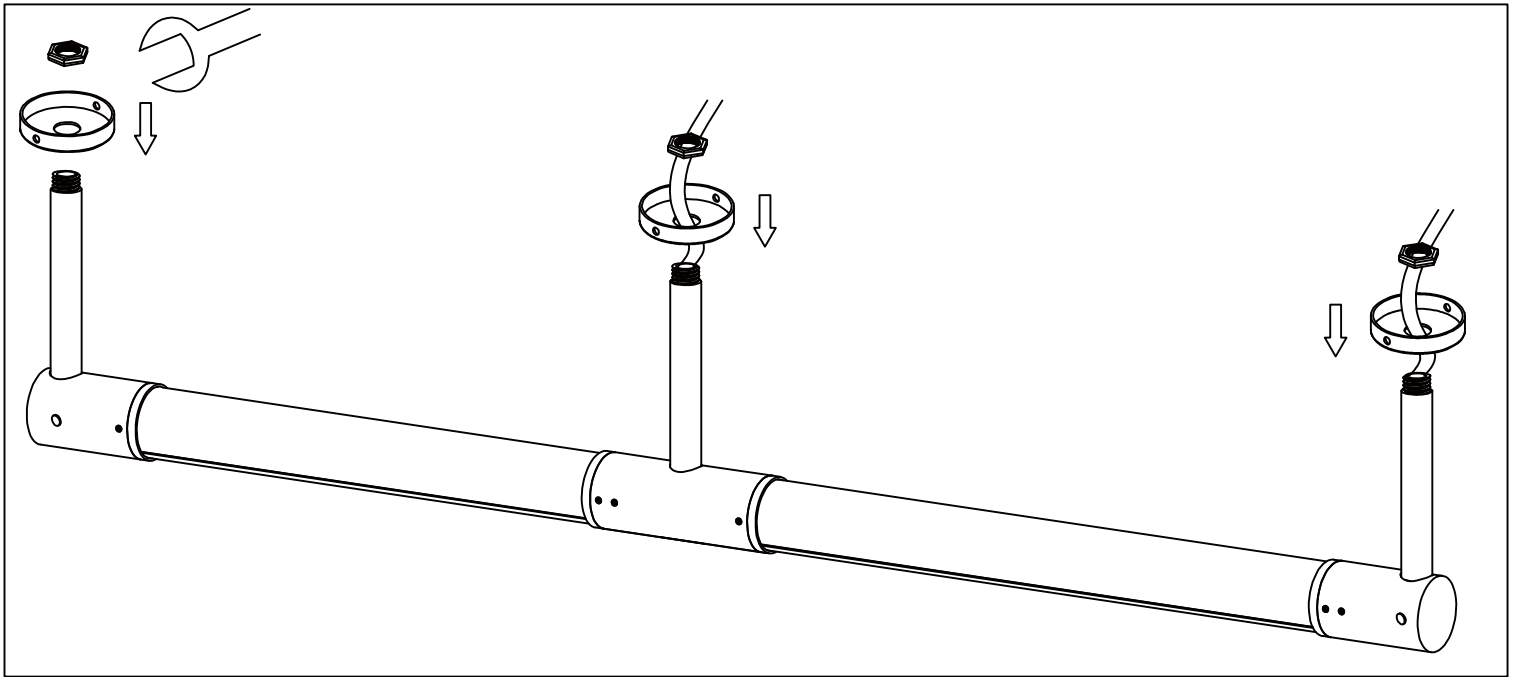


D) Connect the DIP switch end (End A) of the other fixture to the connector, and tighten the set screw in place with the Allen Wrench.

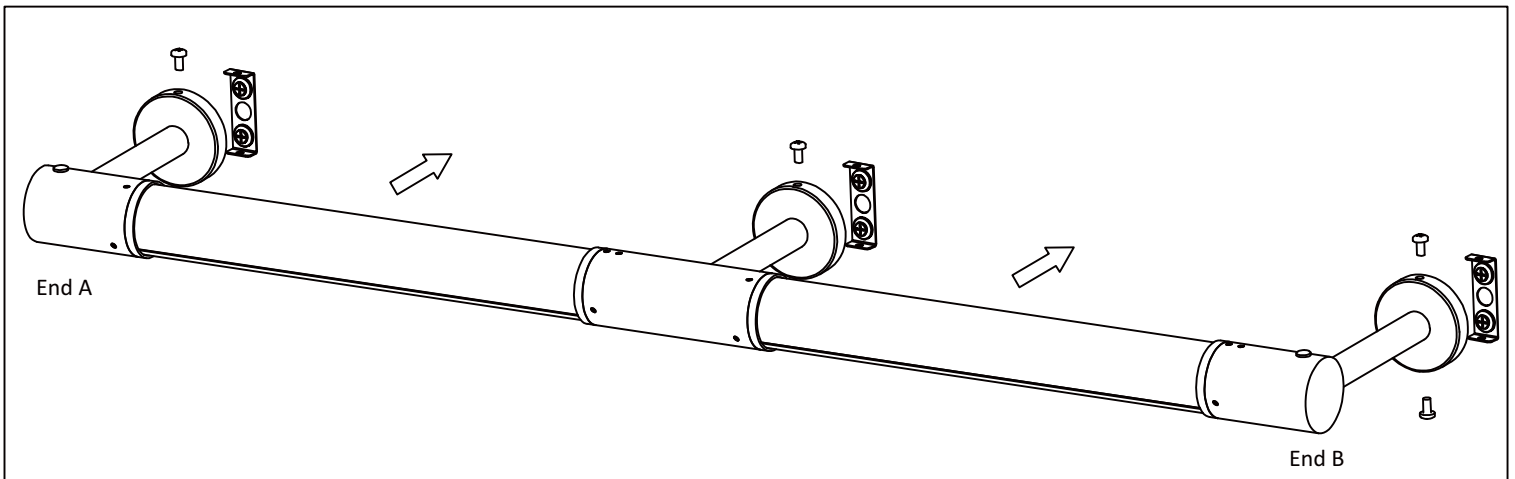
■ Fixture connection



E) Screw the rod into the connector.



F) Secure the canopy with rod by using nut.



G) Mount the lighting fixture on the wall and fasten the canopy with screws.