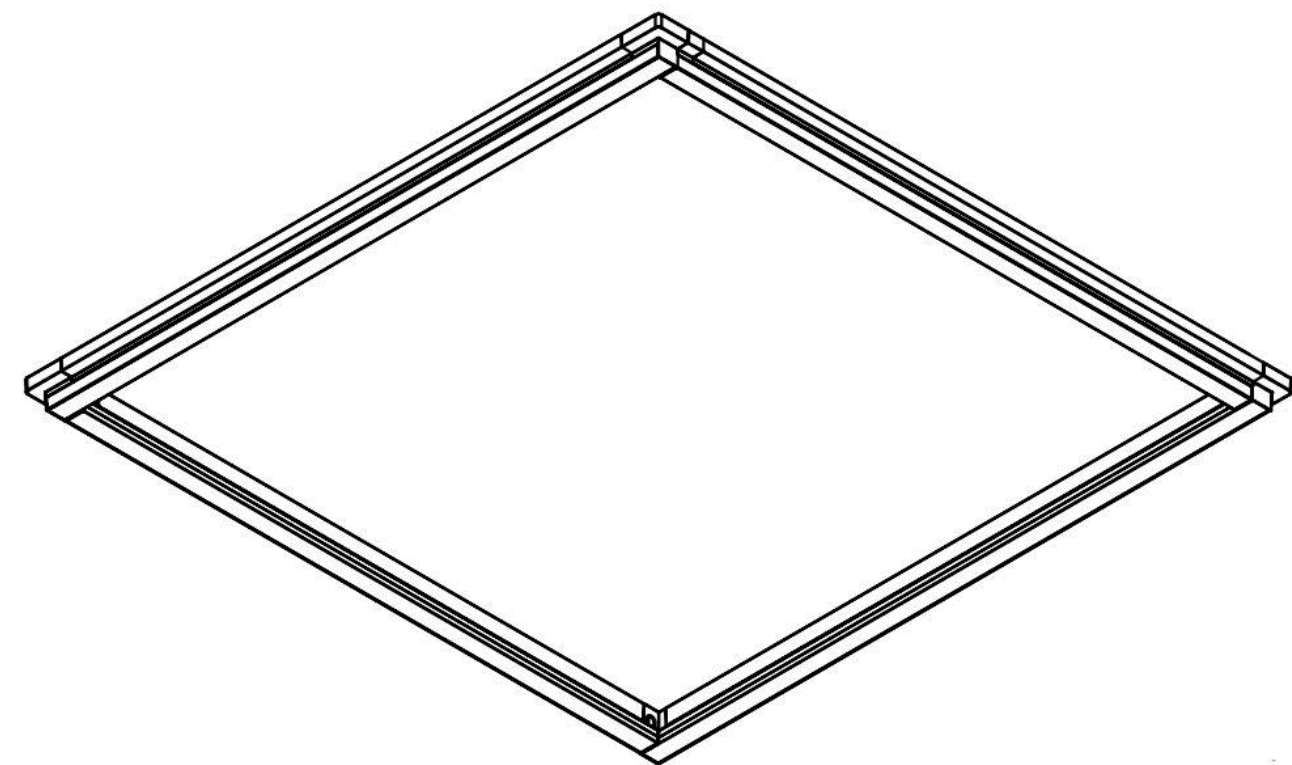


Installation & Usage Guide

LED FRAME LIGHT



WARNING

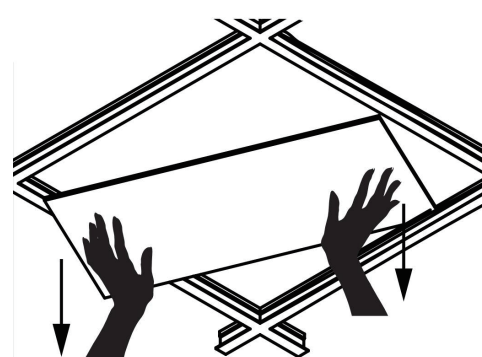
- TO AVOID ELECTRIC SHOCK OR COMPONENT DAMAGE, DISCONNECT POWER BEFORE ATTEMPTING INSTALLATION OR SERVICING.
- THIS PRODUCT MUST BE INSTALLED IN ACCORDANCE WITH THE NATIONAL ELECTRIC CODE (NEC) AND ALL APPLICABLE FEDERAL, STATE AND LOCAL ELECTRIC CODES AND SAFETY STANDARDS.
- PLEASE FOLLOW THE CORRECT INSTALLATION INSTRUCTIONS TO INSTALL THE PRODUCT
- DO NOT USE THE PRODUCT UNDER WET LOCATION

This device complies with part 15 of the FCC Rules. Operation is subject to the following two conditions:

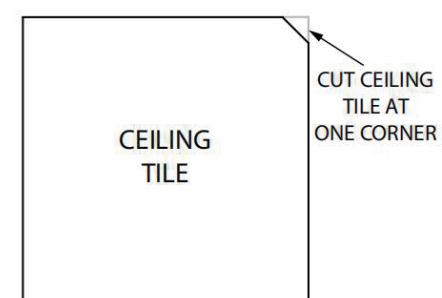
- (1) This device may not cause harmful interference,
- (2) this device must accept any interference received, including interference that may cause undesired operation.

Installation

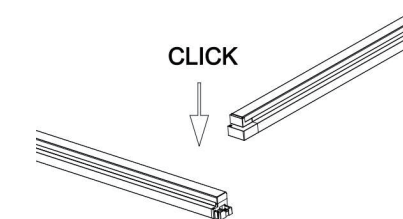
Note: Turn off power at circuit breaker box!



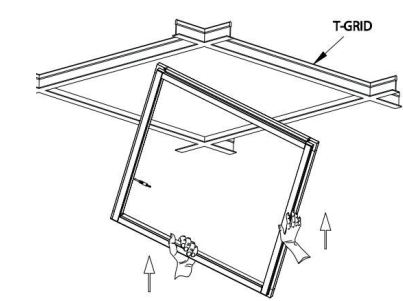
1. Remove original ceiling tile from the T-Grid ceiling.



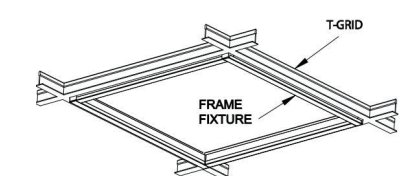
2. Cut out one corner of the ceiling tile using the provided template.



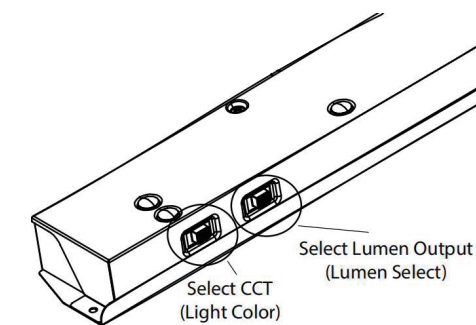
3. Remove 4 frame pieces from package and connect them together via male and female side adapter.



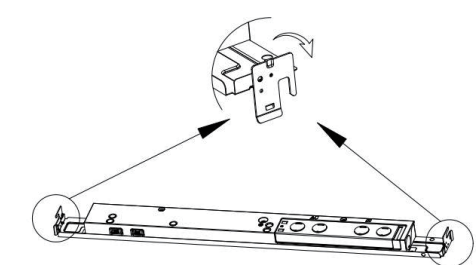
4. Install luminaire to the opening in the T-Grid by raising the luminaire above the grid, then lower it until it rests between the T-Grid and the tile opening. Cable side of the luminaire must align with cable side of the driver box.



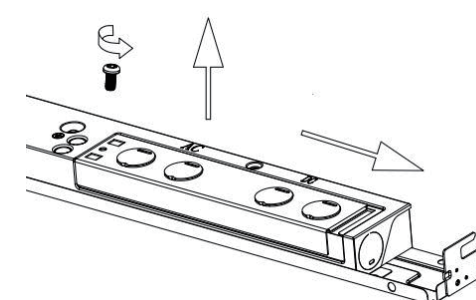
Installation



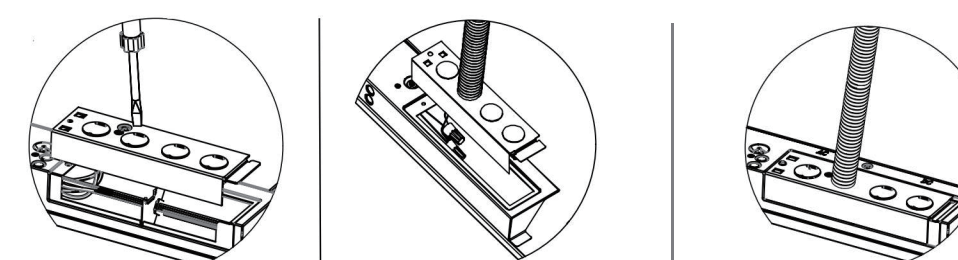
5. Remove driver box from package and use switch to select appropriate light color (CCT) and light output (lumen).



6. Rotate the buckle 90° clockwise.

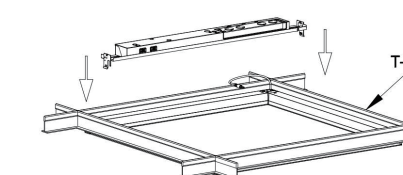


7. Remove driver box access plate by removing screw from driver box cover and locate the driver supply wire (1 black, 1 white, 1 green /ground).
Optional dimming: for 0-10V dimming only: Purple wire is 0-10V (+), Pink wire is 0-10V (-).

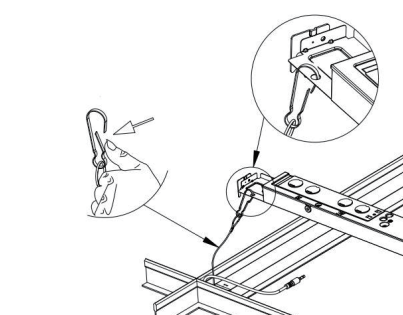


8. Remove knockout from driver box access plate and attach building supply conduit. With the power turned off, make electrical connections according to local codes. Secure driver box cover back with screw.

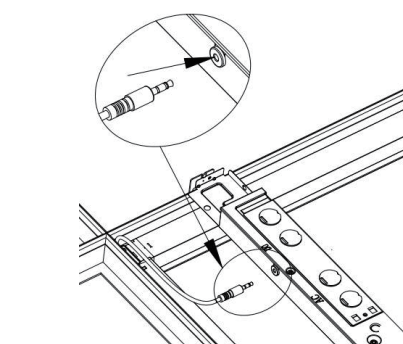
Installation



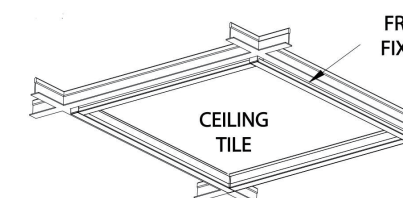
9. The drive box is fixed on the grid through the buckle on the drive box, and the drive box is fixed on the T-grid. Access panels must face openings in the ceiling.



10. Secure luminaire to driver box by attaching tether cable from luminaire to opening on the driver box using clip.



11. The DC cable of the lamp body is connected to the power supply



12. Insert ceiling tile through the opening making sure the cutout portion is facing corner where the cable is connected between driver box and luminaire.

13. Turn ON power at circuit breaker and test successful installation.