

INSTALLATION INSTRUCTION MANUAL

LED Sports Lighting Fixture, 100-277VAC&277-480VAC

Rev 1.0 Jun. 2022

MODELS:

TLFLM500PXYYZZ; TLFLM500PHXYYZZ; TLFLM600PXYYZZ; TLFLM600PHXYYZZ;

Model number parameter list:

Model	Input Voltage	Power Factor	Watt	Input Current
TLFLM500PXYYZZ	100-277V AC	≥0.9	500W	5.4A
TLFLM500PHXYYZZ	277-480VAC			3.0A
TLFLM600PXYYZZ	100-277V AC		600W	6.0A
TLFLM600PHXYYZZ	277-480VAC			2.5A

“X” represents color temperature, where may be: 3 - 3000k, 4 - 4000k , 5 - 5000k , or 6 - 5700K
YY” represents mounting type, where may be: YK – Yoke, PM – Pole Mounted, “ZZ” represents housing color, where may be: WH – White, BK – Black, GY – Gray, BR – Bronze.



1. Introduction

- This LED Flood light uses the latest in solid state lighting technology for long life, low maintenance, and high efficiency.
- Use 100-277V&277-480V, 50/60Hz AC supply.
- Suitable for use in the following locations:
 - Ambient Temp: -20~+40°C
 - Wet Locations

Note: Save these instructions for future reference.

2. Installation

Warning:

To avoid the risk of fire, explosion, or electric shock, this product should be installed, inspected, and maintained by a qualified electrician only, in accordance with all applicable electrical codes.

Warning:

To avoid electric shock:

- Be certain electrical power is OFF before and during installation and maintenance.
- Luminaire must be connected to a wiring system with an equipment-grounding conductor.

Warning:

To avoid explosion:

- Make sure the supply voltage is the same as the rated luminaire voltage.
- Do not install where marked operating temperatures exceed the ignition temperature of the hazardous atmosphere.
- Do not operate in ambient temperatures above those indicated on the luminaire nameplate.
- Keep lens tightly closed when in operation.

CAUTION:

THIS PRODUCT MUST BE INSTALLED IN ACCORDANCE WITH THE APPLICABLE INSTALLATION CODE BY A PERSON FAMILIAR WITH THE CONSTRUCTION AND OPERATION OF THE PRODUCT AND THE HAZARDS INVOLVED

ATTENTION-RISQUE D'INCENDIE

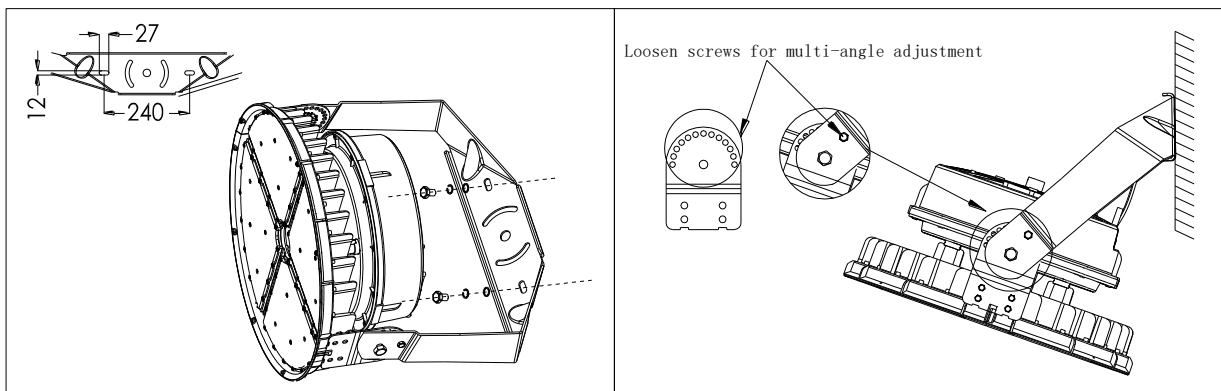
CE PRODUIT DOIT ÊTRE INSTALLÉ SELON LE CODE D'INSTALLATION PERTINENT, PAR UNE PERSONNE QUI CONNAÎT BIEN LE PRODUIT ET SON FONCTIONNEMENT AINSI QUE LES RISQUES INHÉRENTS

For supply connections use wire rated for at least 90°C

Installation:

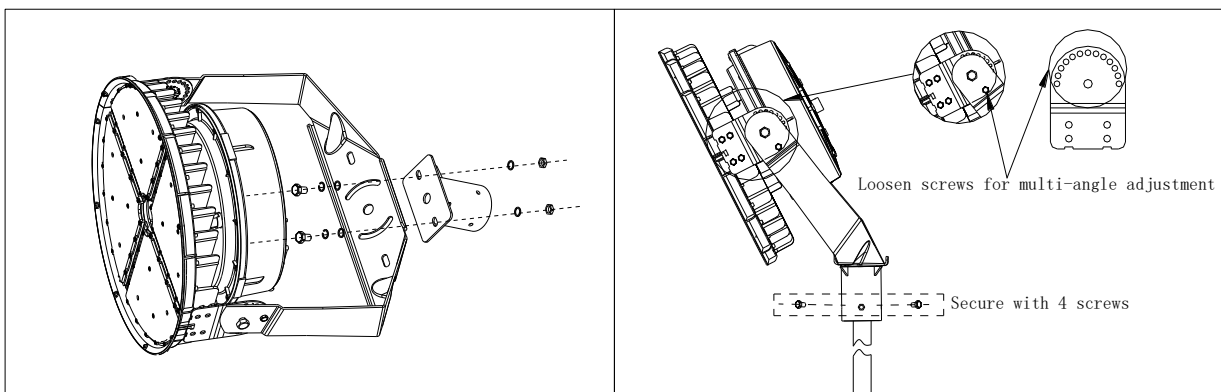
1. Directly fix to mounting surface

- ① Make a hole on the wall according to the size of the big bracket hole. ② Use screws, gaskets and other accessories to fix the lamp on the wall. ③ Loosen the small screw on the bracket to adjust the irradiation Angle as required.

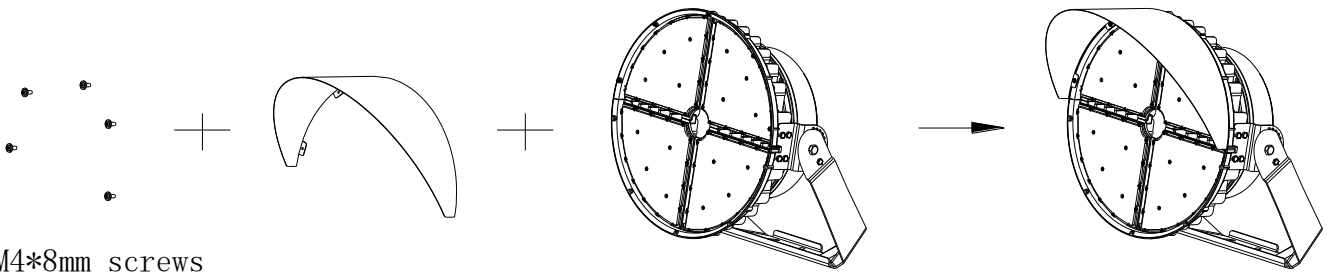


2. Pole Mounted

- ① Use screws, gaskets, nuts and other accessories to fix the rotating bracket on the big bracket. ② Set the lamp on the pole and fix it with 4 screws. ③ Loosen the small screw on the bracket to adjust the irradiation Angle as required.



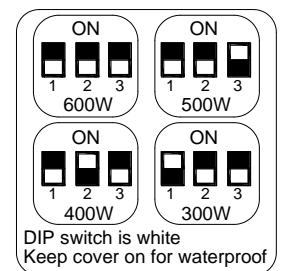
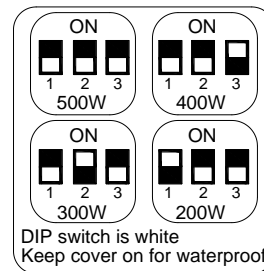
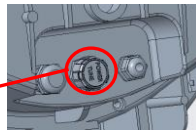
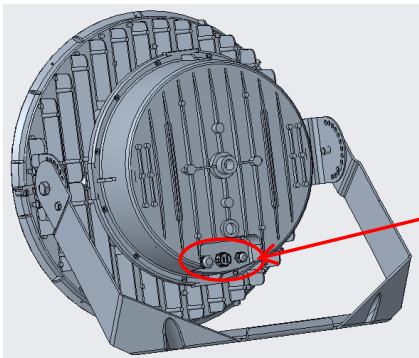
3.Lamp Hood (optional)



4.Wiring Diagrams:



5.Function description of Wattage Tunable



After installation, please

- check whether the lighting fixture is firmly fixed.
- check whether wires are connected correctly.
- At last, turn on the power, and check if the lighting fixture works well. If not, please turn off the power and contact with local dealer.

Warning: the luminaire shall be installed by qualified electrician.