

5HDG , QVWUXFWLRQ PDQXDO FDUHIXOO\ WR HQVXUH SURSHU LQV 3OHDVH NHHS WKL V LQVWUXFWLRQ PDQXDO IRU IXWXUH XVLQJ

△ :\$51,1*

7R DYRLG WKH ULVN RI ILUH RU HOHFWULF VKRFN WKL SURGXFW VKRXOG EH RQO\ , QVWDOODWLRQ VKRXOG EH FRPSOHWHO\ E\ DQ LQGLYLGXDO IDPLOLDU Z OXPLQDLUH PXVW EH LQ DFFRUGDQFH ZLWK QDWLRQ DQG ORFDO EXLOGLQJ DQ

6DIHW\ :DUQLQJ

7R DYRLG HOHFWULF VKRFN %H FHUWDLQ HOHFWULFDQ SRZHU LV 2)) EHIRUH DQG GXULQJ LQVWDOODWLRQ /XPLQDLUH PXVW EH VXSSOLHG E\ D ZLULQJ V\WHP ZLWK DQ HTXLSPHQW JUR 7R DYRLG EXUQLQJ KDQGV 0DNH VXUH OHQV DQG KRXLQJ DUH FRRO ZKHQ SHUIRUPLQJ PDLQWHQDQFH 7R DYRLG SURGXFW GHJUDGDWLRQ 0DNH VXUH WKH ZLUH VXSSO\ YROWDJH LV WKH VDPH DV WKH OXPLQDLUH VXS 8VH SURSHU VXSSO\ ZLULQJ DV VSHFLILHG RQ WKH OXPLQDLUH QDPHSODWH \$YRLG XVH LQ HQYLURQPHQW FRQWDLQLQJ VXOIXU FKORULQH RU RWKHU KDO HWKHUV IRUPDOGHK\GH RU EXWDGLHQH

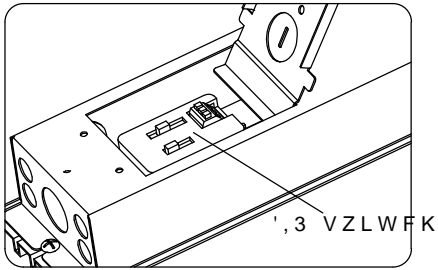
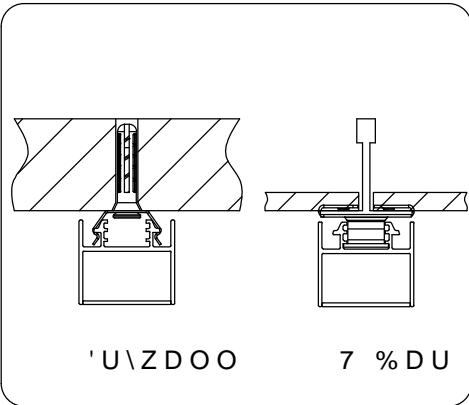
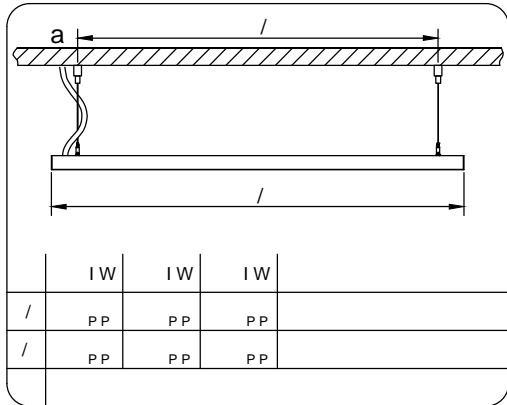
1RWHV

, QVWUXFWLRQV GR QRW FRYHU DOO GHWDLOV DQG DOO SRVVLEOH SURGXFW F 'R QRW UHVWULFW OXPLQDLUH YHQWLODWLRQ (QVXUH /(' OXPLQDLUH LV QRW FRYHUHG ZLWK PDWHULDO WKDW ZLOO SUHYHQ (QVXUH /(' OXPLQDLUH KDV WKH FRUHFH SRODULW\ EHIRUH LQVWDOODWLRQ \$YRLG H[SRVLQJ ZLULQJ WR PHWDO HGJHV DQG VKDUS REMHFV

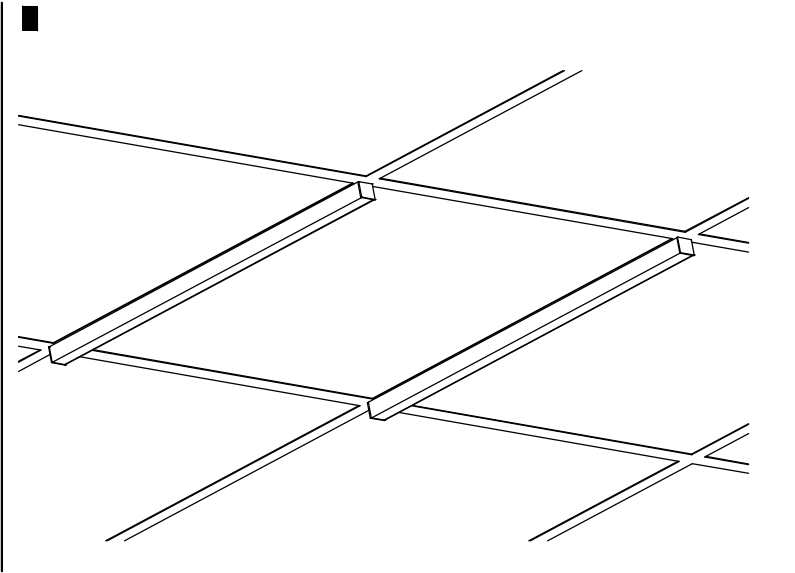
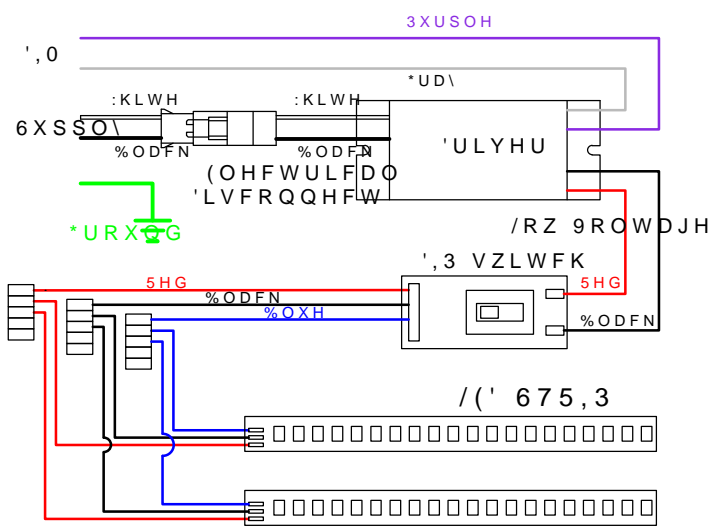
0DLQWHQDQFH

3HUIRUP YLVXDO HOHFWULFDQ DQG PHFKDQLFDQ LQVSHFWLRQV RQ D UHJXODU WKLV +RZHYHU LW LV UHFRPPHQGHG WKDW FKHFNV EH PDGH DW OHDVW RQFH DUH FOHDQ DQG WLJKW OHFKDQLFDQO\ FKHFNV WKDW DOO SDUWV DUH SURSHU

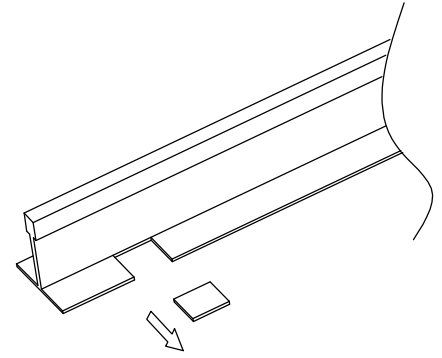
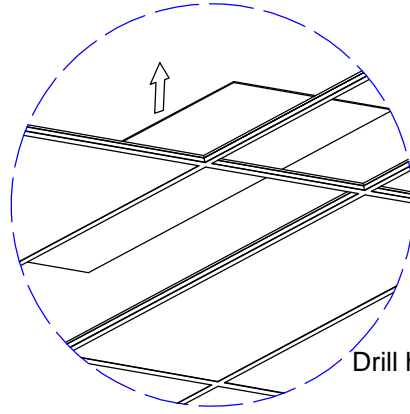
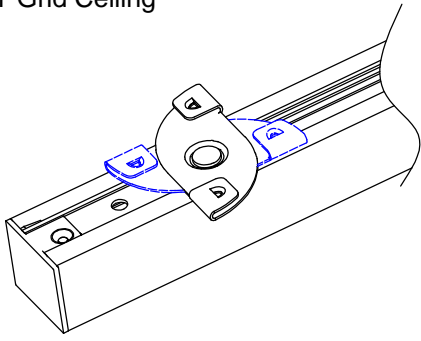
■ , QVWDOODWLRQ SUREH ■ LQ IDFH PRXQWHG ■ 'LS VZLWFK IRU &&7



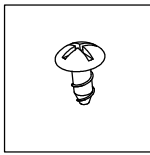
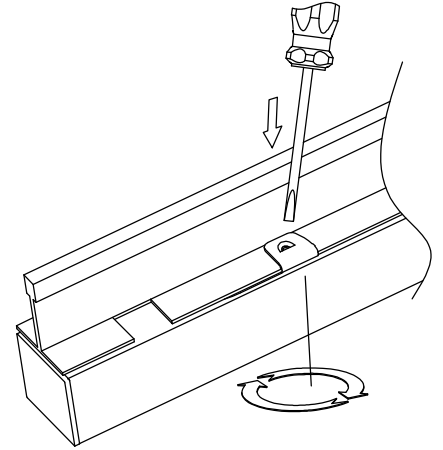
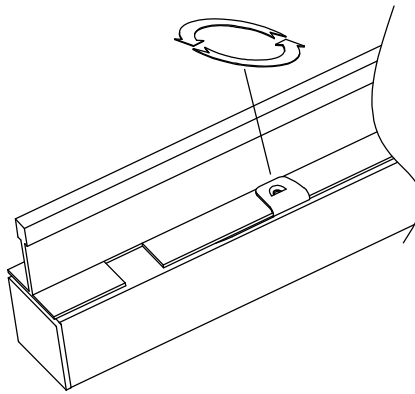
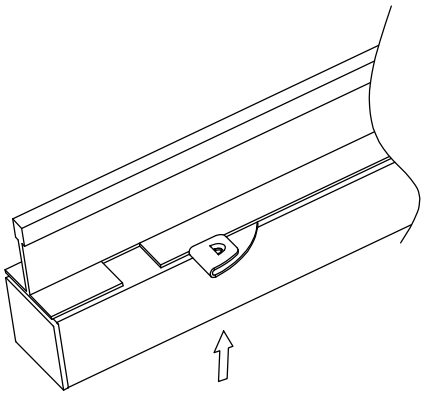
■ :LULQJ 'LDJUDP



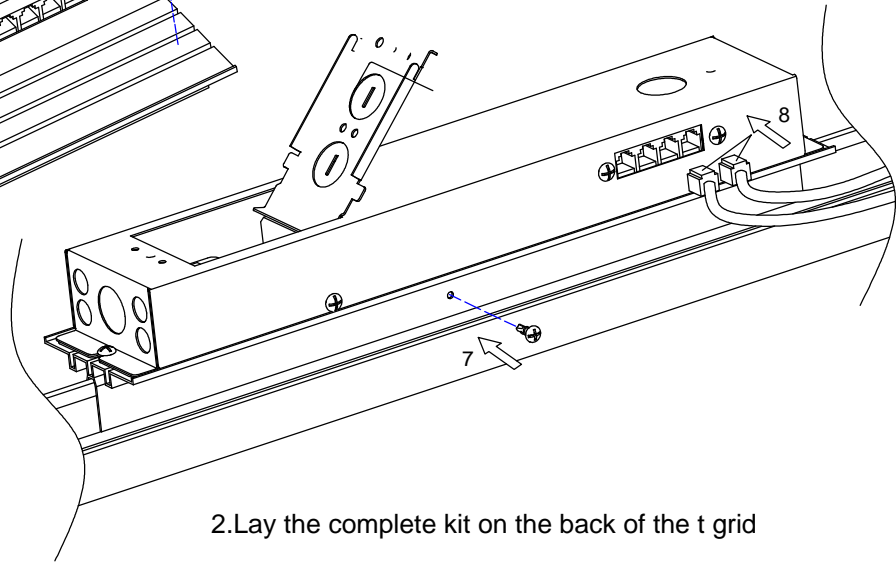
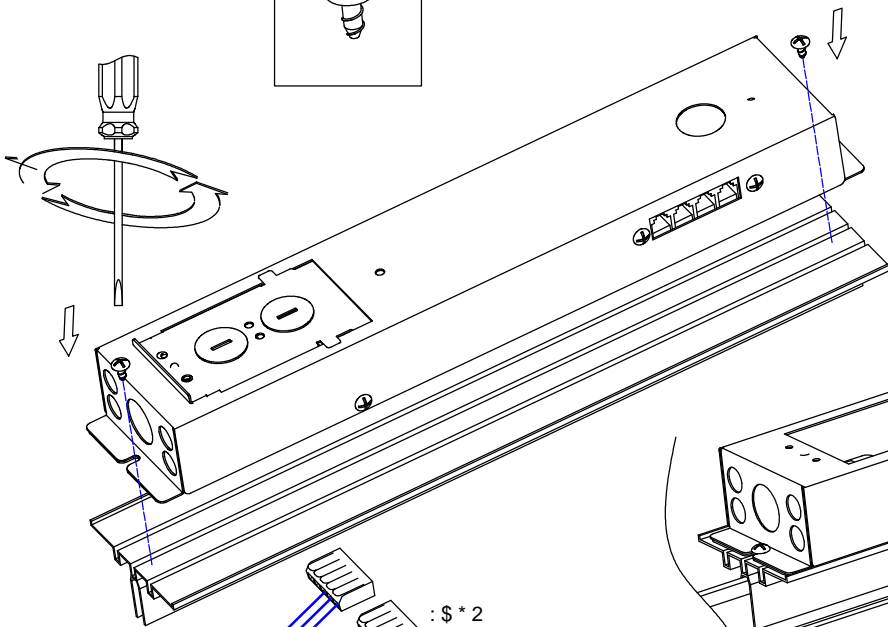
■ For T Grid Ceiling



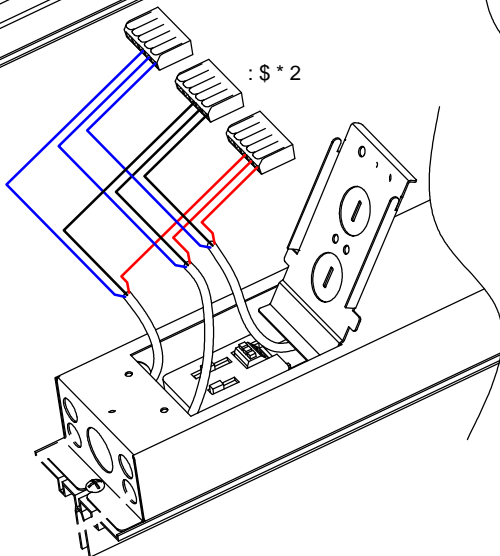
Drill hole the T grid to make sure the cable get through



1. Install SCXT-TGRID-DSP1 with driver kit SCXT-DRVK-RJ11-40W/SCXT-DRVK-RJ11-80W

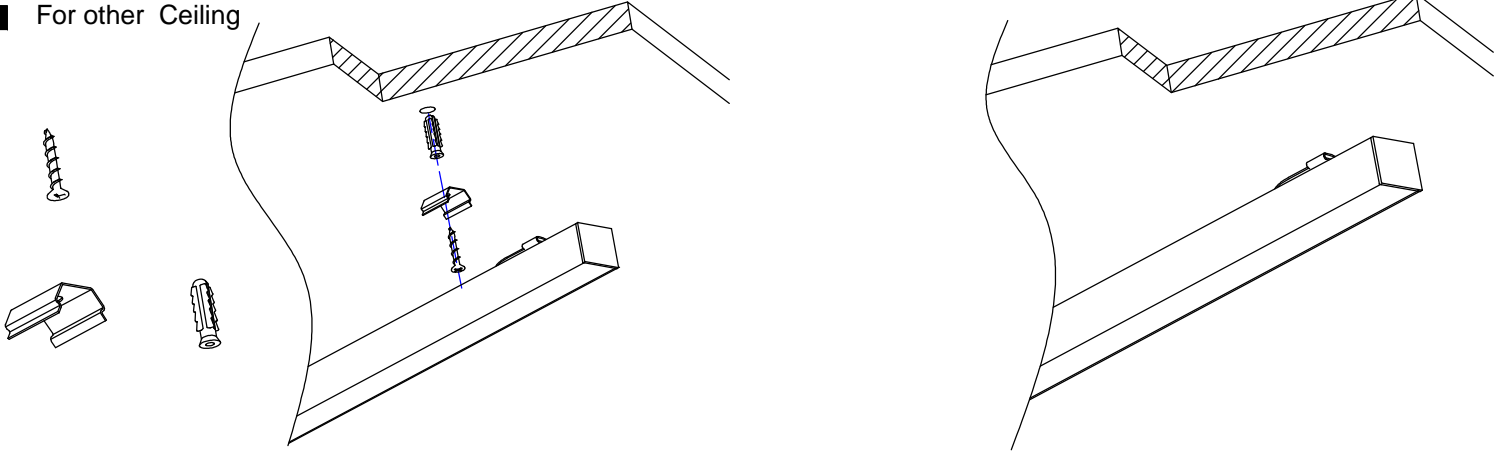


2. Lay the complete kit on the back of the t grid

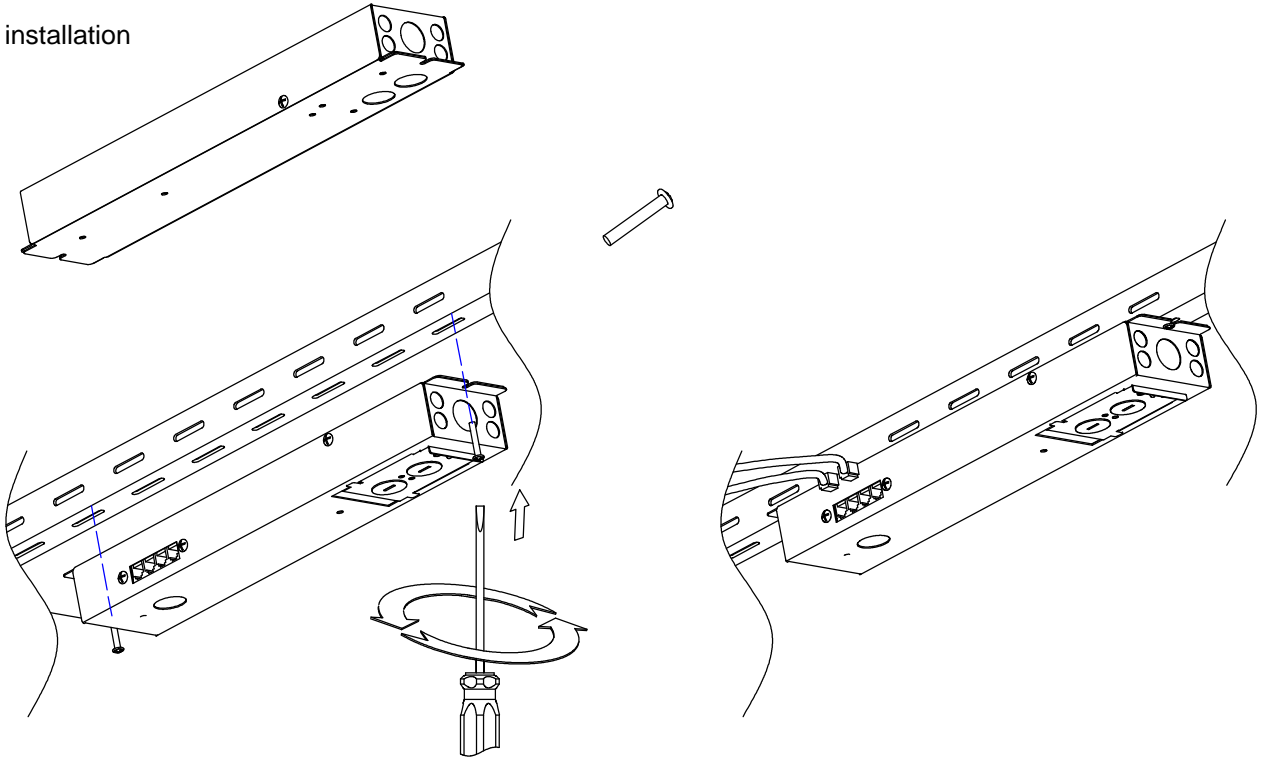


3. Wire with AC input , turn off AC before you complete the wiring

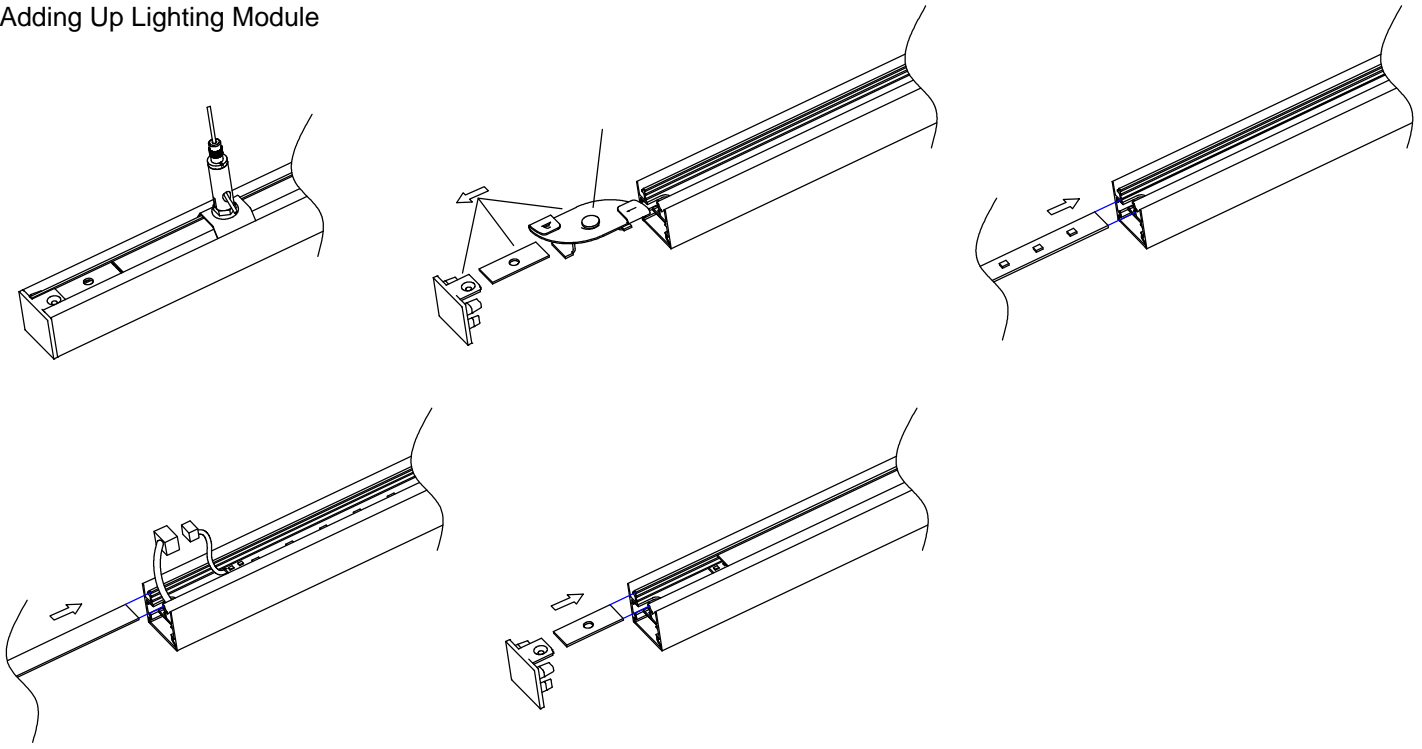
■ For other Ceiling



Driver kit installation

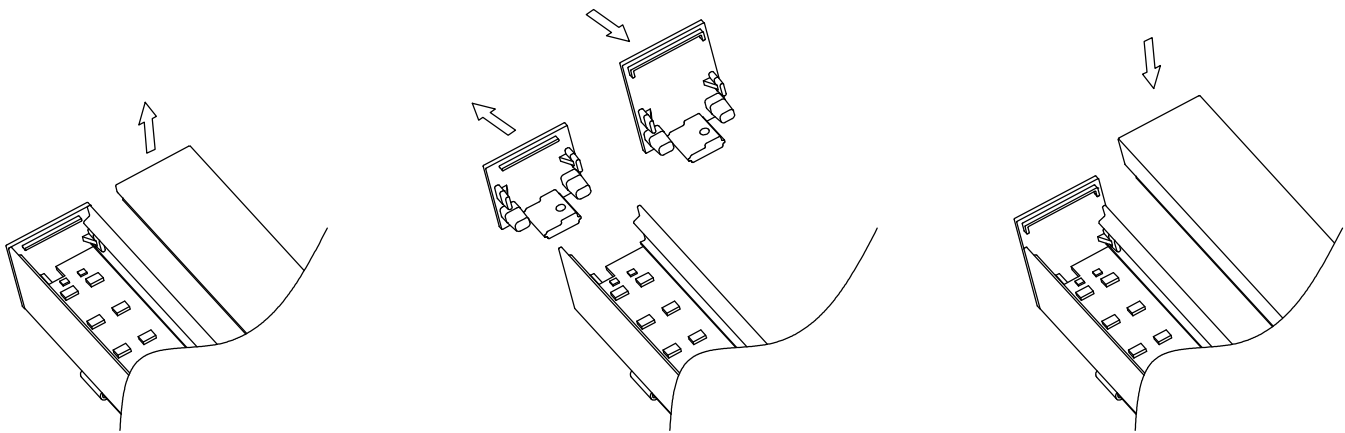


■ Adding Up Lighting Module



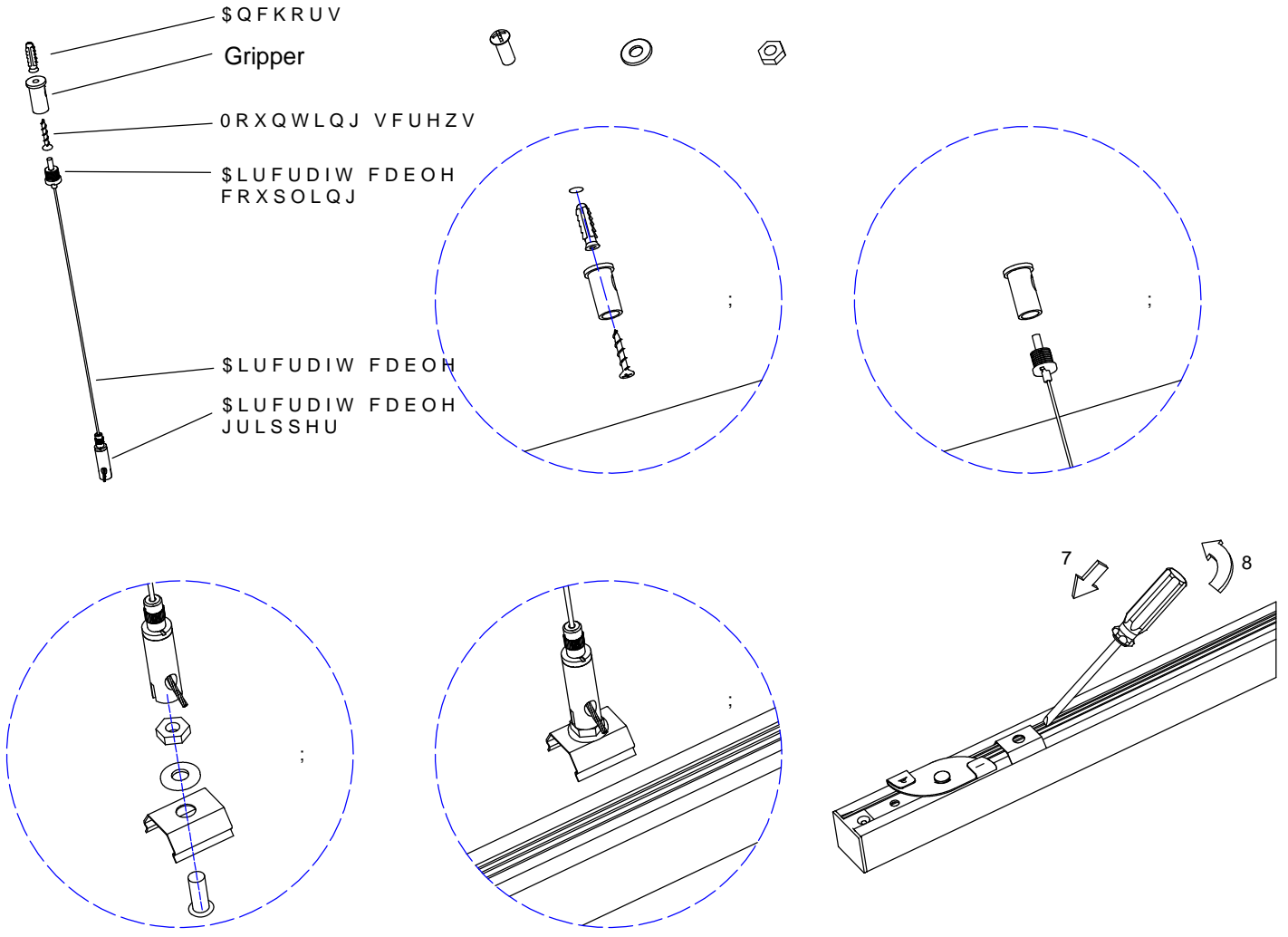
Take off the end caps and clips to install

■ Replace the Drop Lens with Flat Lens



, QVWDOODWLR
/(' /LQH DU \$UF

■ Suspended



■ Connection

