

Read Instruction manual carefully to ensure proper installation.
Please keep this instruction manual for future using!

! WARNING

To avoid the risk of fire, or electric shock this product should be installed, inspected, and maintained by a qualified electrician only. Installation should be completely by an individual familiar with the construction and operation of the luminaire. Installation of luminaire must be in accordance with nation and local building and electrical codes.

Safety Warning:

- To avoid electric shock:
 - Be certain electrical power is OFF before and during installation and maintenance.
 - Luminaire must be supplied by a wiring system with an equipment grounding conductor.
- To avoid burning hands:
 - Make sure lens and housing are cool when performing maintenance.
- To avoid product degradation:
 - Make sure the wire supply voltage is the same as the luminaire supply
 - Use proper supply wiring as specified on the luminaire nameplate.
 - Avoid use in environments containing sulfur, chlorine, or other halides, methyl acetate or ethyl acetate, cyanoacrylates, glycol ethers, formaldehyde or butadiene.

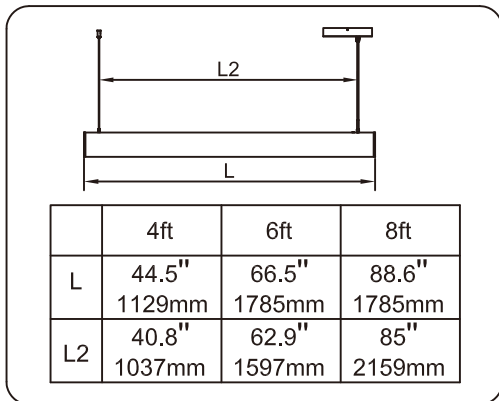
Notes:

- Instructions do not cover all details and all possible product configurations.
- Do not restrict luminaire ventilation.
- Ensure LED luminaire is not covered with material that will prevent convection or conduction cooling.
- Ensure LED luminaire has the correct polarity before installation
- Avoid exposing wiring to metal edges and sharp objects.

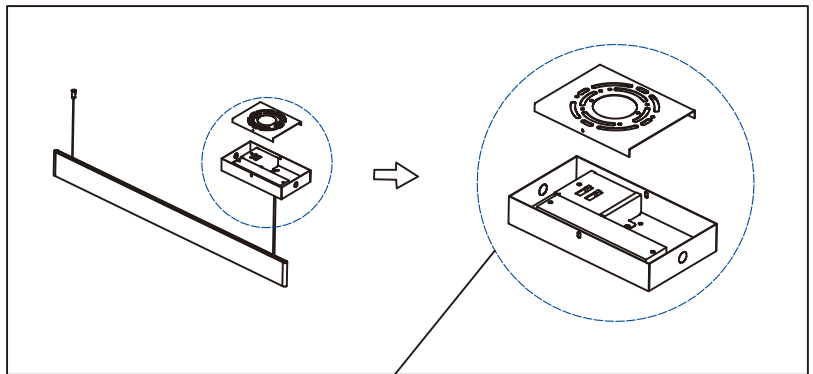
Maintenance:

Perform visual, electrical, and mechanical inspections on a regular basis. The environment and frequency of use should determine this. However, it is recommended that checks be made at least once a year. Electrically check to make sure that all connections are clean and tight. Mechanically check that all parts are properly assembled.

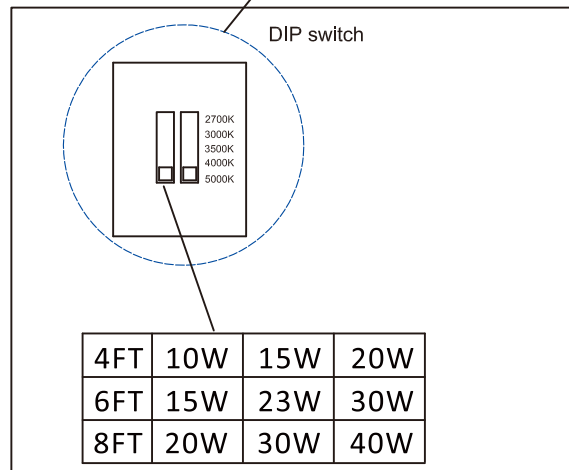
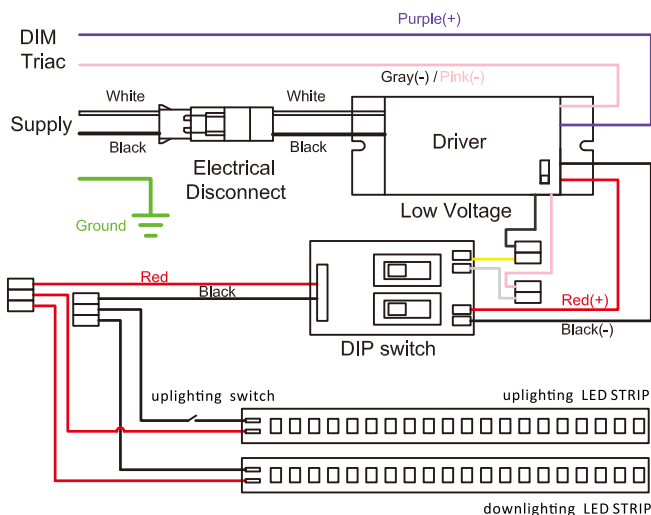
Installation Dimension (suspended)



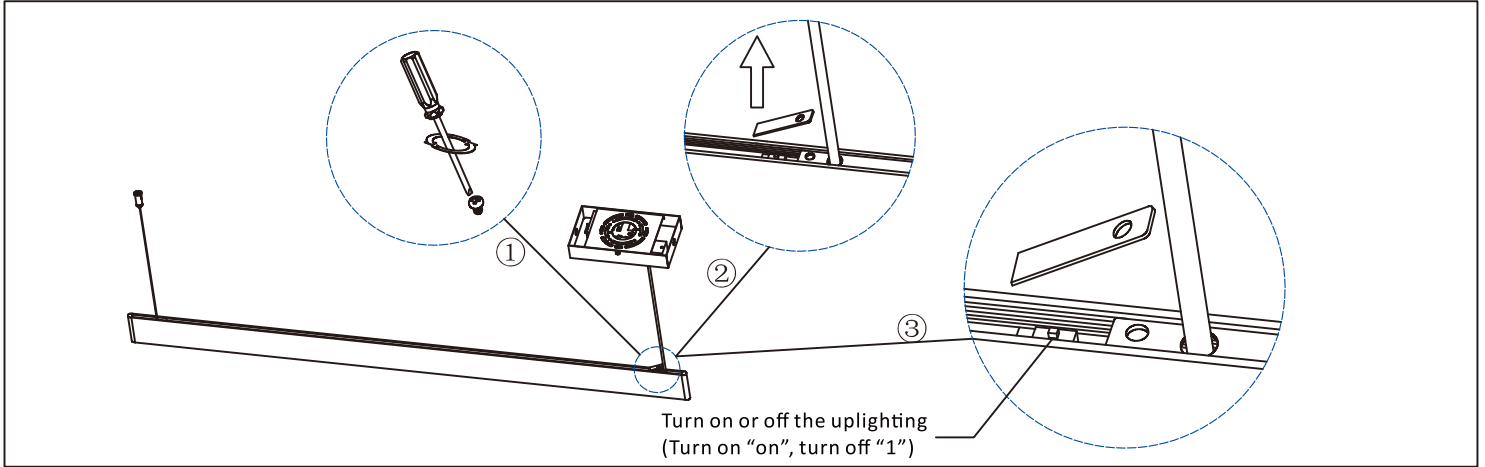
CCT & wattage switch



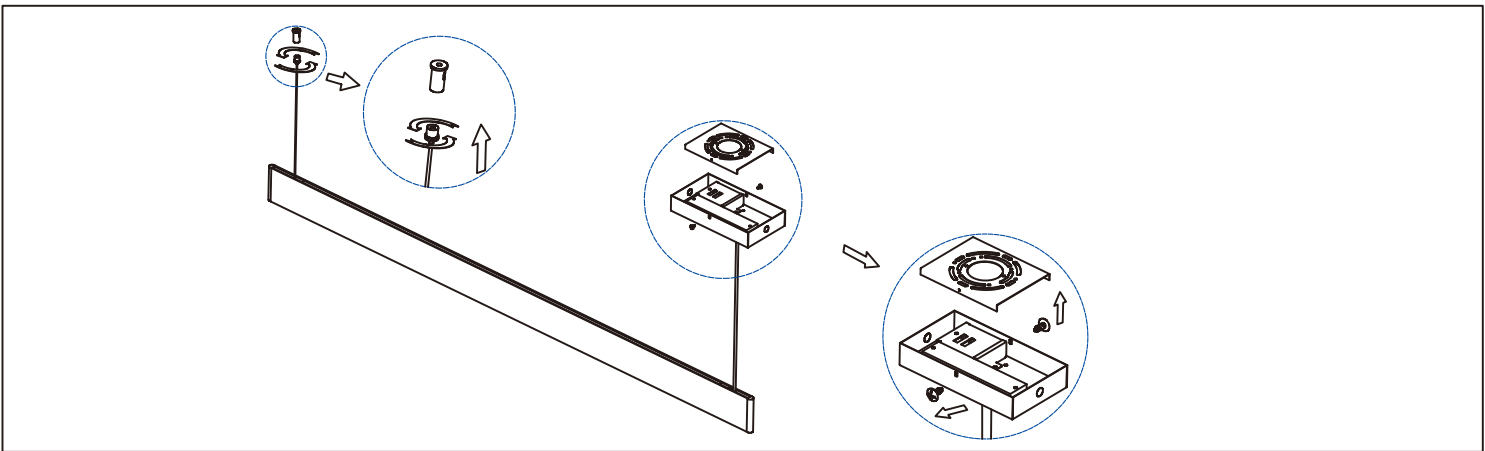
Wiring Diagram



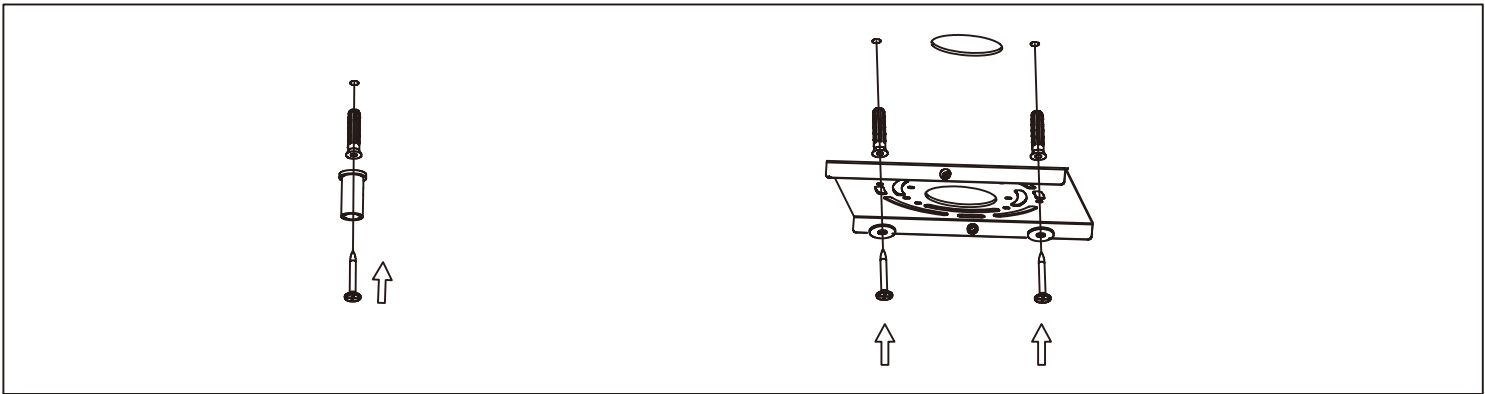
■ Turn on or off the uplighting



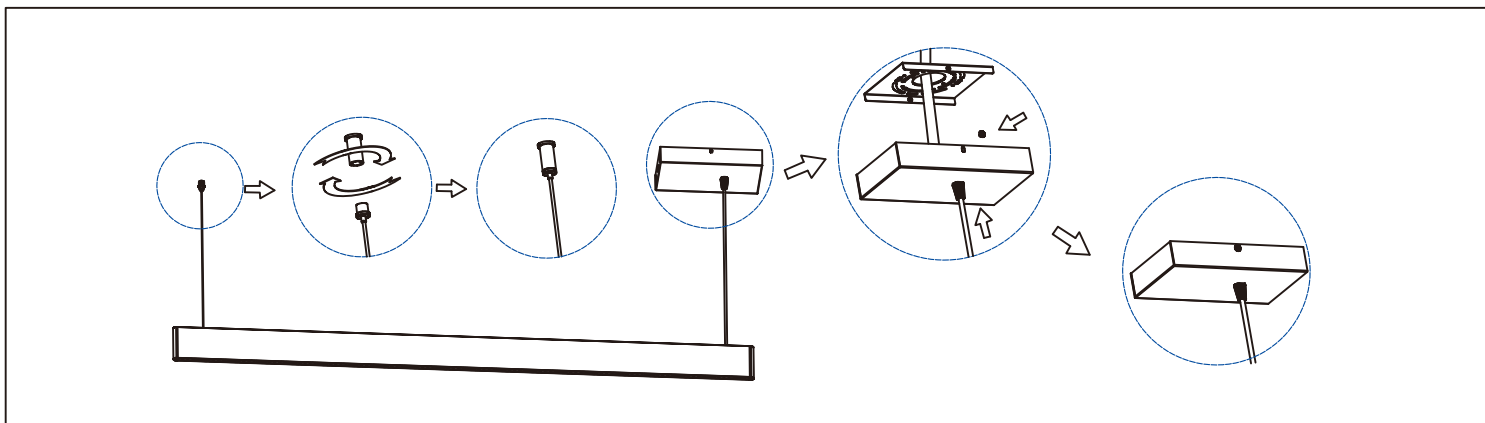
■ Installation Process



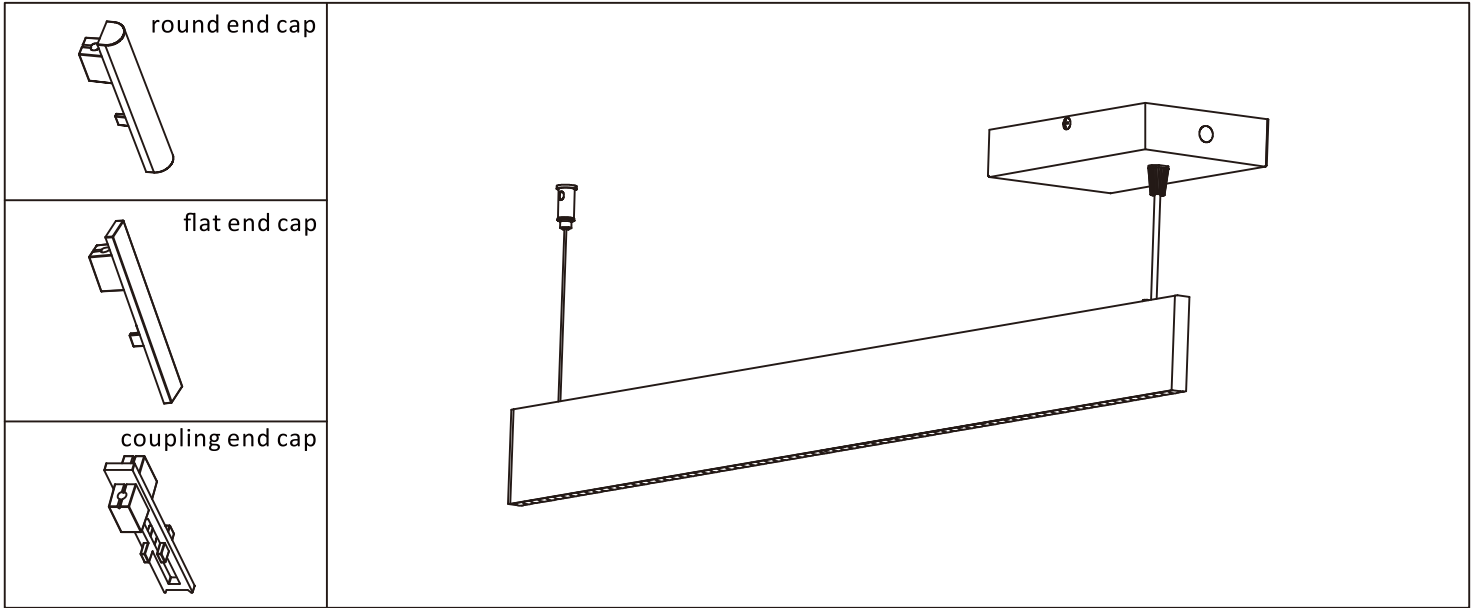
A) Remove the loops and drive box cover



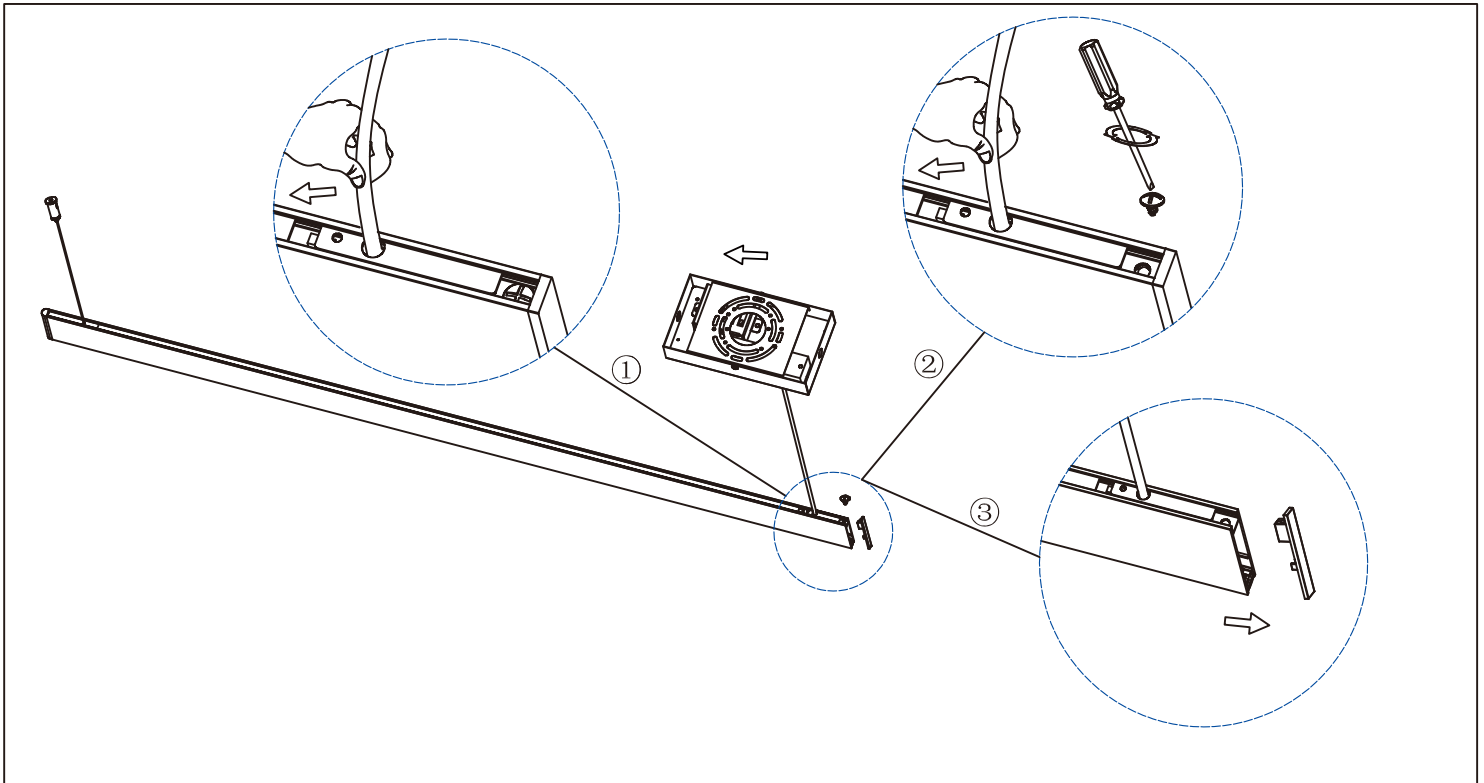
B) Use ceiling screws to fix the loops and driver box cover



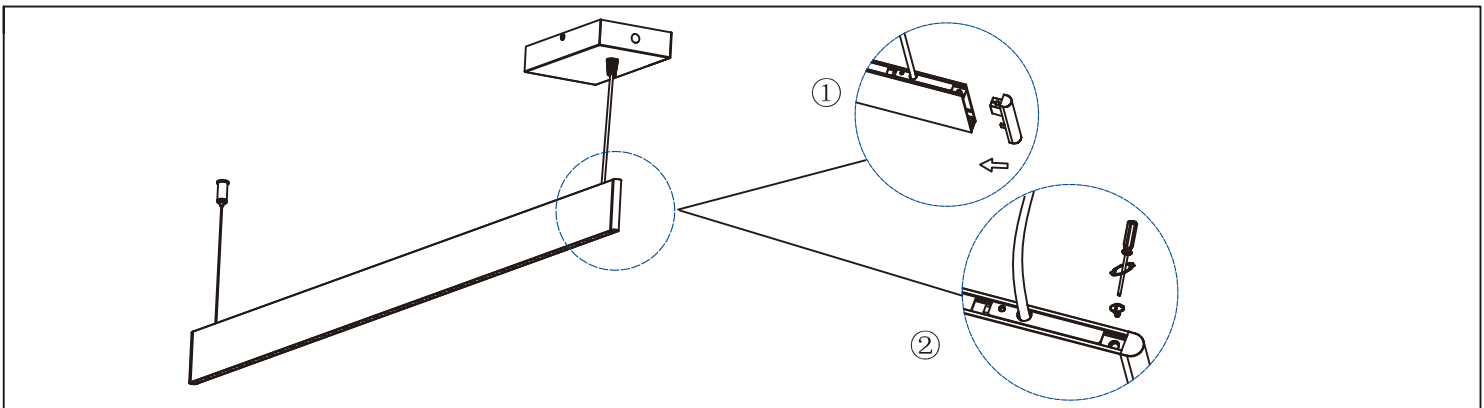
C) Install cable gripper to the loops, install driver box to the cover plate.



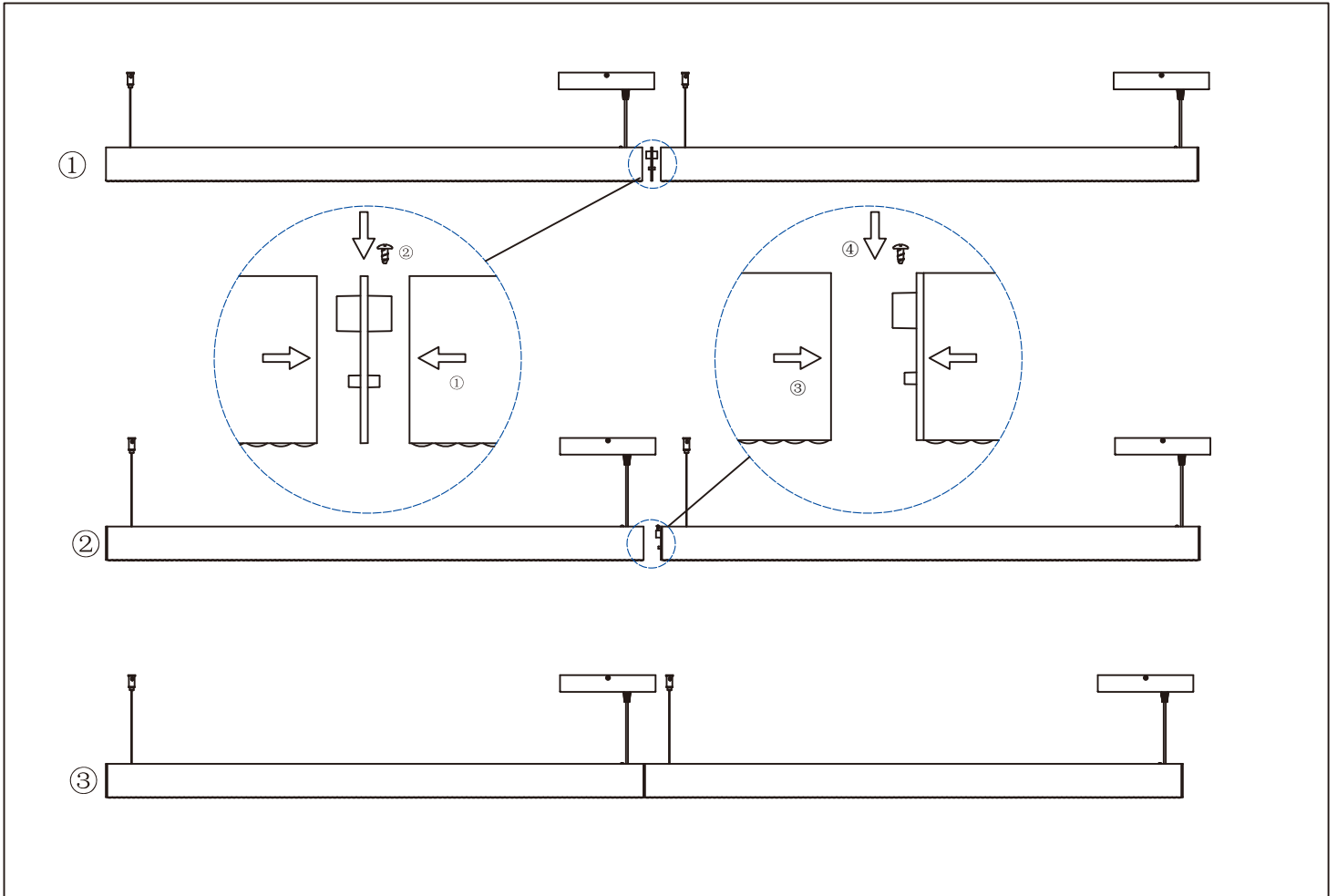
Replaceable end cap types for light fixtures



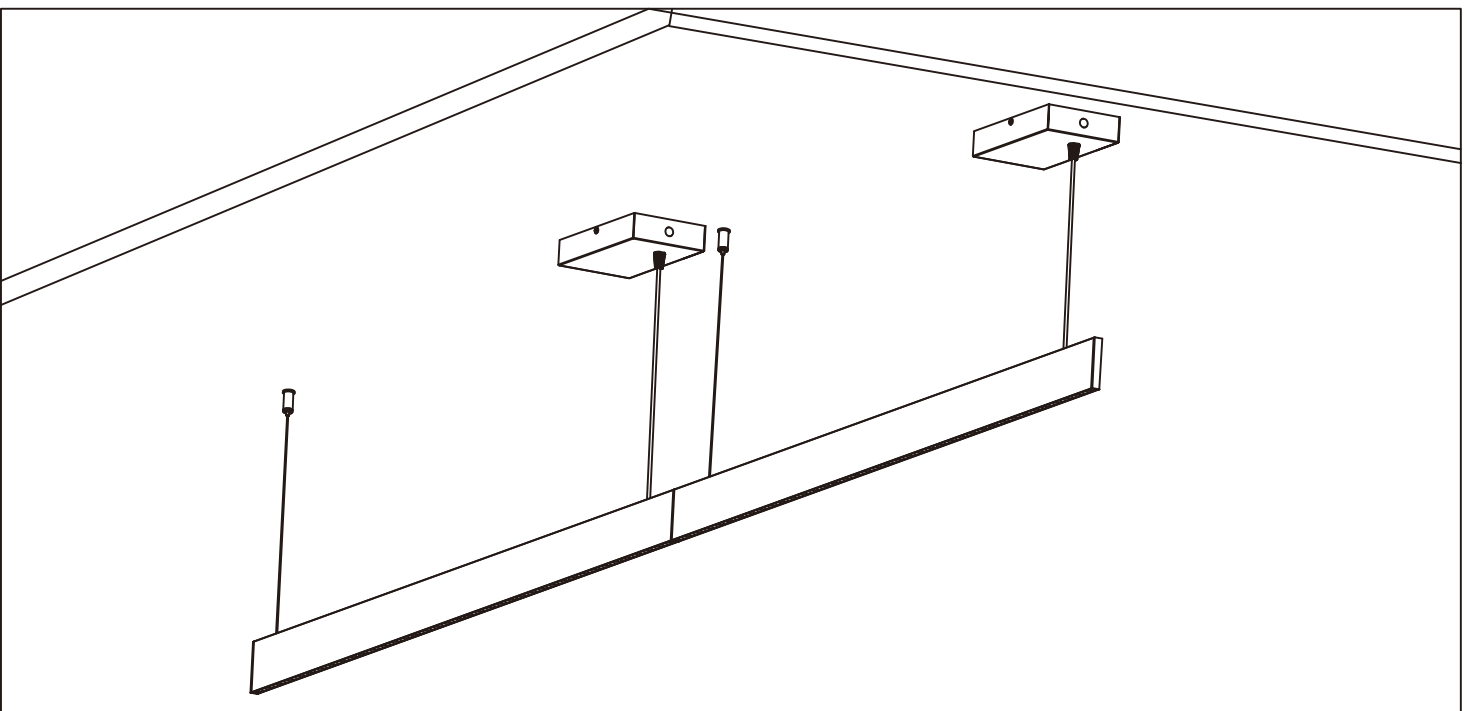
A) Remove the screws and pull out the flat end cap



B-1) Install the round end cap and fix them with screws



B-2) Connect the two lights with coupling end cap and tighten the screws.



C) Installation complete