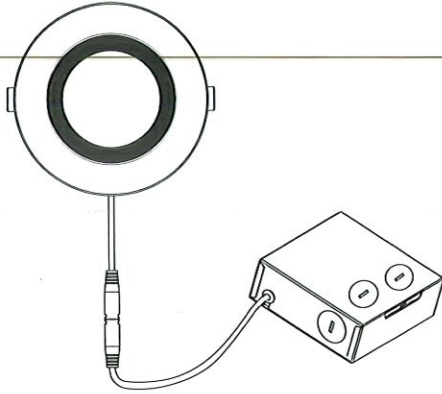


LED Recessed Downlight

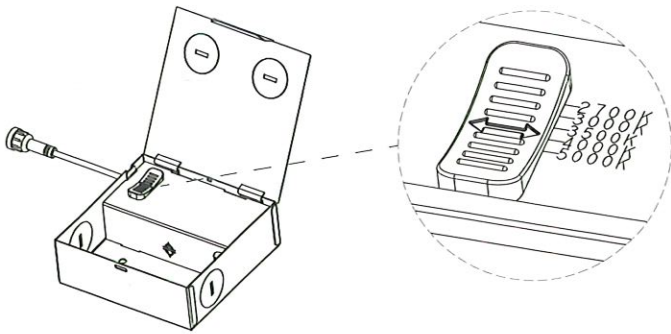
SKU: RDL4S-BF-MCT5-WH / RDL4S-BF-MCT5-BK / RDL4S-BF-MCT5-ORB

[Instruction Manual]

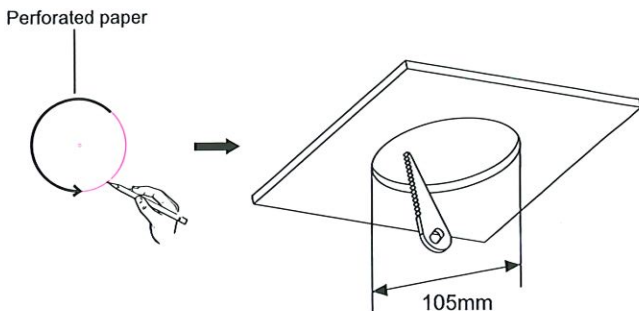


Please pay attention to the warning signs
Read the instructions with caution before operating
and keep it properly

V20922



Step 2: Select desired method of cutting hole (i.e. : handsaw, holesaw) .
CAUTION: DO NOT CUT HOLE LARGER THAN THE FRAME PLATE
OPENING.



02

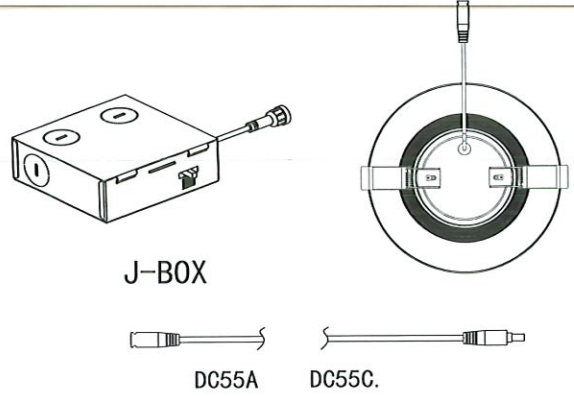
Warning:

READ AND UNDERSTAND THESE INSTRUCTIONS BEFORE INSTALLING LUMINAIRE

This luminaire is intended for installation in accordance with the National Electrical Code and local regulations.

To assure full compliance with local codes and regulations, check with your local electrical inspector before installation. To prevent electric shock, turn off electricity at fuse box before proceeding.

Product Layout

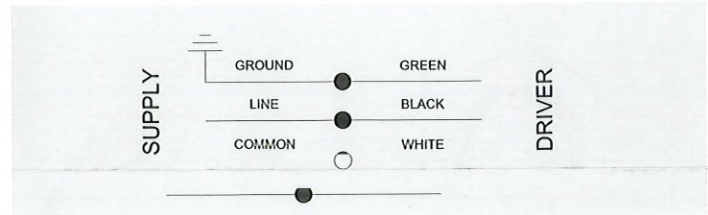
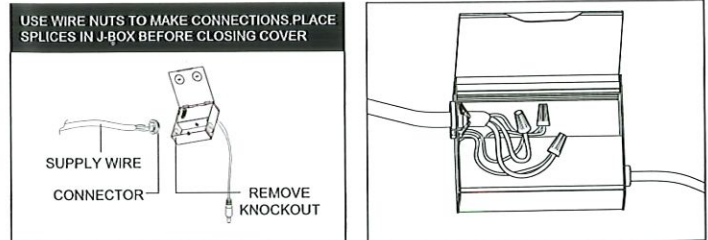


Installation

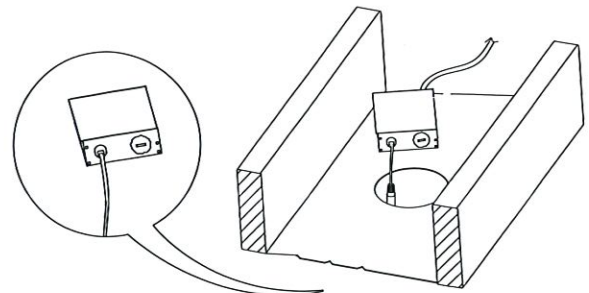
Step 1: Select the correlated Color Temperature (CCT)-Before installation, select your preferred CCT by adjusting the switch to either 2700 K, 3000K, 3500 K, 4000 K, or 5000 K.

01

Step 3: Connect the power cord correctly .



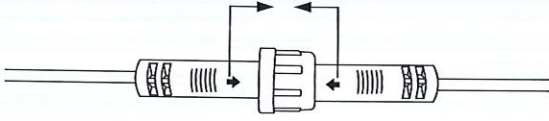
Step4: Secure the junction box to the frame plate .



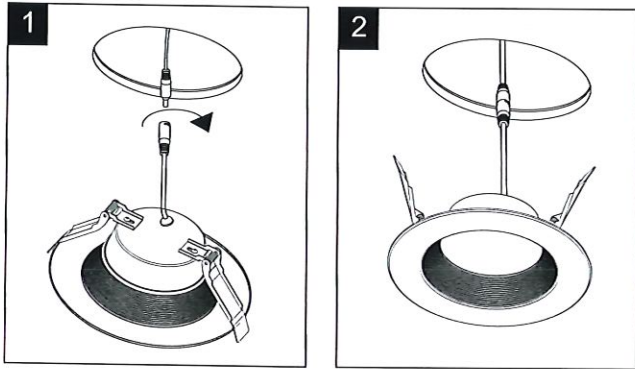
03

Step 5: Connect downlight to junction box powercord & install.

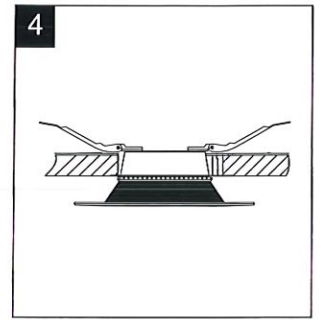
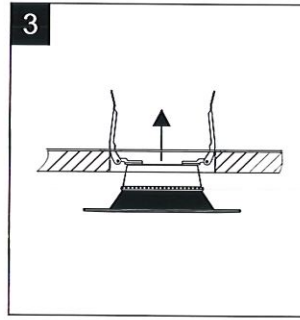
- Insert downlight cord into junction box and twist it to lock
(Align the indicating arrows horizontally)



- Push and hold both installation springs in a vertical position before inserting into frame



04



Specifications

- Input Voltage: 120VAC, 60Hz
- Wattage: 12W
- Lumen: 1050lm
- Color Temperature: 5CCT (2700K/3000K/3500K/4000K/5000K)
- Life Span: 50000 hours
- CRI: 90+



05