

LED PUCK LIGHT INSTALLATION INSTRUCTION

ITEM: PL120ADJ SERIES

WESTGATE

www.westgatemfg.com

WARNING: These products present a possible shock or hazard if improperly installed or attached in any way.

Products should be installed in accordance with these instructions, current electrical codes and/or the current National Electric Code (NEC).

WARNING: To avoid electrical shock, disconnect or disable power at the source prior to installation or maintenance.

WARNING: To avoid electrical shock, use only with 120V AC plug-in power supply or with 120V AC hardwire power supply.

Factory warranty will be void if used with a non-recommended power supply, transformer, or driver.

IMPORTANT SAFETY INSTRUCTIONS

1. The puck light is listed c/ETL/us and intended for indoor use in dry locations only. Do not use in the vicinity of standing water or liquids. Do not submerge in water or liquids.
2. Do not use if there is any damage to the unit or to the power cord's insulation. Inspect periodically.
3. Do not route cords or units through walls, doors, windows or any similar part of a building structure.
4. Do not secure unit or its power cord with staples, nails, or any other sharp objects that may damage the cords.
5. Please read and understand these instructions before beginning installation.

IMPORTANT:

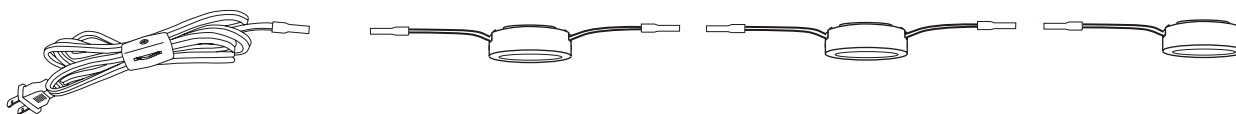
Risk of shock or fire hazard: The maximum number of pucks that can be interconnected to a power cord, or to a port on the hardwire box is 20. Do not exceed in any single run. Each puck consumes 4watts.

PRIOR TO INSTALLATION:

3-pack Kits (PL120ADJ- 3KIT-XX items) include three Pucks, a 6 ft plug-in 120V power cord, and mounting hardware.

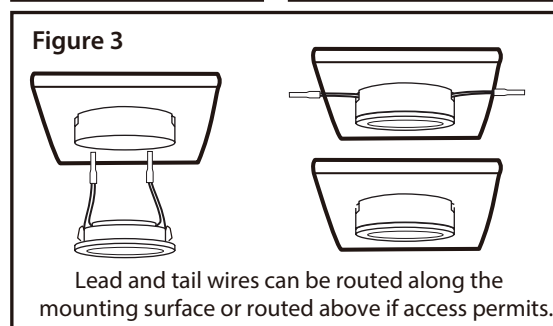
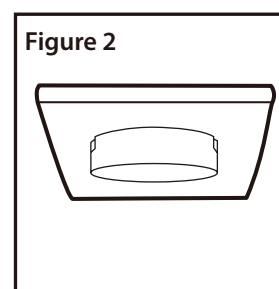
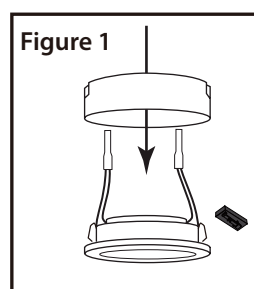
Single puck kits (PL120ADJ-XX) contain a puck with only a lead wire and a 6 ft plug-in 120V power cord, and mounting hardware.

Daisy Chain System



SURFACE MOUNTING

1. Separate the surface ring from the Puck housing. With the puck lens center of the back of the puck with your thumbs to separate housing from surface ring. See Figure 1.
2. Determine desired locations for each puck and mark the locations of the mounting holes on the mounting surface, using the surface ring as a template. Note: Each puck has a 12" lead wire which needs to be routed to the next connecting puck or power cord (for kits) or to the driver (for bulk pucks). Be sure to locate the puck lights and power cord (or driver) so that each puck can reach the previous puck or the driver, as the case may be.
3. Secure surface ring using appropriate mounting hardware. See Figure 2.
4. Before attaching the housing to the surface ring, route the lead wires through the notches in the surface ring. An alternate mounting suggestion is to drill 1/2" holes using the surface ring as a guide to route lead and tail wires above the mounting surface. See Figure 3.
5. Gently push the puck light into the surface ring until it is fully seated, making sure that wires are not pinched or crimped in any way.



Lead and tail wires can be routed along the mounting surface or routed above if access permits.

LED PUCK LIGHT INSTALLATION INSTRUCTION

ITEM: PL120ADJ SERIES

WESTGATE
www.westgatemfg.com

RECESSED MOUNTING

1. Separate the surface ring from the Puck housing. Refer to Figure 1 and Step 1 on reverse. Discard the surface ring. It will not be needed for recessed installations.
2. Determine desired locations for each puck and mark the locations of their centers on the mounting surface.
3. Drill a 2-3/8" diameter hole in each marked location. See Figure 4.
4. Route the puck's lead wires through the hole and press puck in until it is fully seated, making sure the lead wires are not pinched or crimped in any way. The side spring clips will hold the puck light in place. See Figures 4 and 5.

POWER CONNECTION:

1. Connect the lead wires between multiple pucks. Use the puck light with no tail wire (included in 3-puck kit or sold individually as single-puck kit) as the last puck in the series.
2. For kits, and other plug-in installations, connect adjacent lead and tail wires together, route the power cord to a nearby 120V AC outlet and plug in. Use roll switch for on/off control.
3. Not intended for permanent hardwire installation inside built-in furnishings such as kitchen cabinets or trophy cases without the use of the hardwire junction box .

Note: The hardwire junction box has two output connection ports, one on each end. One box can support two separate runs, each up to the puck light quantity sold in kits (or up to twenty with multiple bulk pucks (they have lead wires and tail wires) combined with kits. Each run from the hardwire junction box will require a 12" or 24" extension (sold separately) to each from junction box to the first puck light.

4. Route the power cord to the nearest convenience outlet. Do not conceal the power supply cord (or the direct wire box) inside walls, ceilings, or floors.
5. Multiple pucks can be linked together with 12" or 24" linking extensions (sold separately) or daisy-chained directly to each other, as outlined on previous page, without using linking extensions.

WARNING! Risk of shock.

1. Do not attempt to remove or change the LEDs in these fixtures. LEDs are not serviceable.
2. Do not route wires through walls, floors or ceilings.
3. Route cords so they will not be pinched or damaged.
4. Do not alter plugs or connectors.
6. Not intended for recessed installation inside enclosed cabinetry (cabinetry that is not open at the top), ceilings, or soffits without the use of the hardwire box.

ADDITIONAL SAFETY MEASURES:

1. Use only insulated staples or plastic ties to secure cords.
2. LEDs are bright! Do not look directly at lighted fixture.
3. Keep lamp away from curtains, darperies and similar flammable materials.

Figure 4

