

Narrow Linear Strip Light

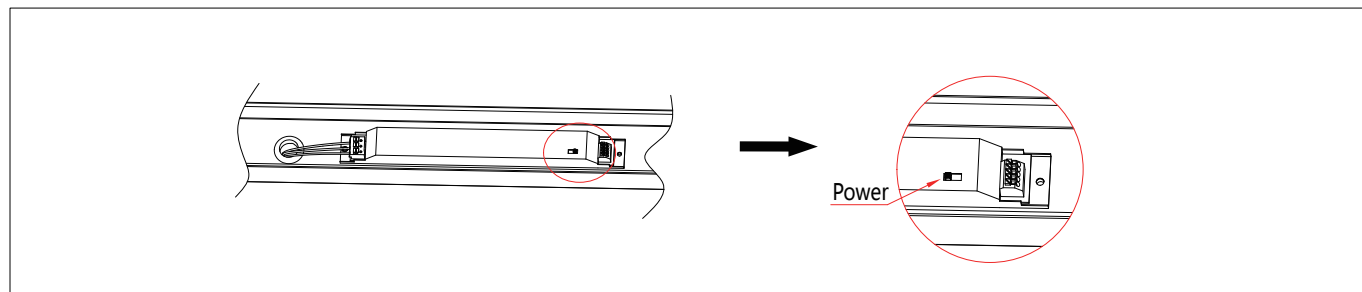
INSTRUCTION MANUAL

Read this instruction carefully before installation. Keep it for further reference. Make electrical and grounded connections in accordance with the national electrical code and any applicable code. Always turn off the power supply before installation. This product must be installed in accordance with the applicable installation code by a qualified electrician who is familiar with the construction and operation of the product and the hazards involved.

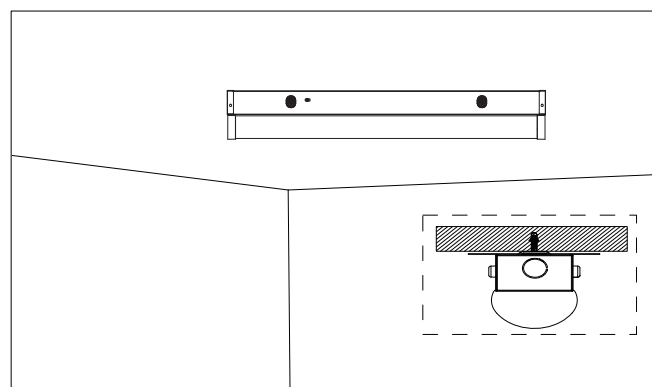
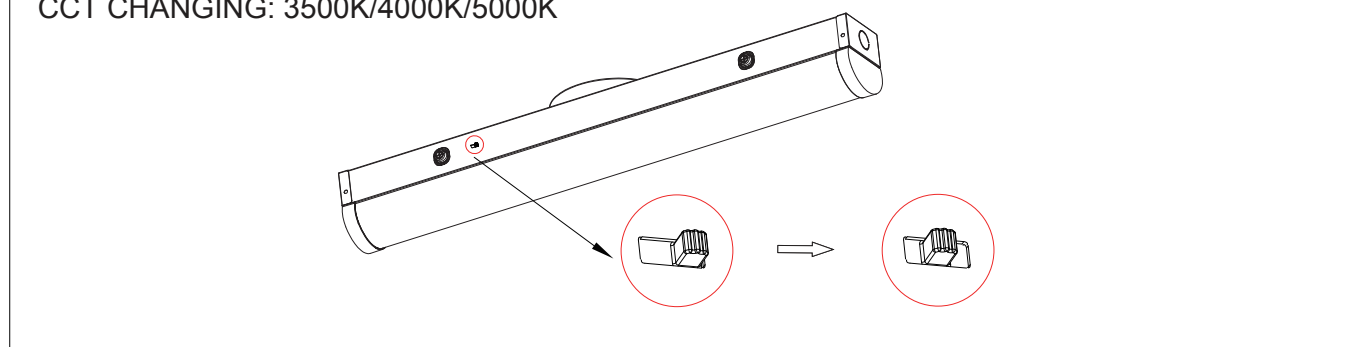
WARNING:

- ⚠ Risk of fire or electric shock. Fixture installation requires knowledge of luminaires electrical systems. If not qualified, DO NOT attempt installation. Contact a qualified electrician.
- ⚠ Risk of fire or electric shock. Always turn off the power supply before installation. Risk of fire or electric shock. Suitable for non-insulated surface and frame. DO NOT cover fixture with insulation liner or similar material.
- ⚠ DO NOT install fixture on unstable, loose or easily breakable surface. DO NOT exert force on the surface of the fixture.

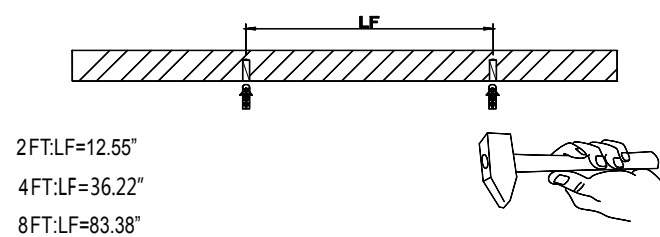
Wattage selectable



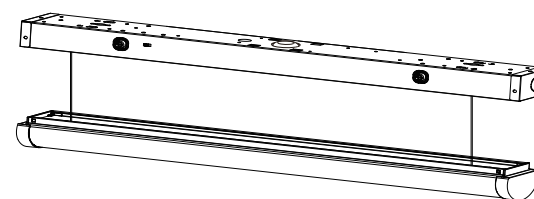
CCT CHANGING: 3500K/4000K/5000K



1. Punch a hole on the wall and put the expansion tube inside.

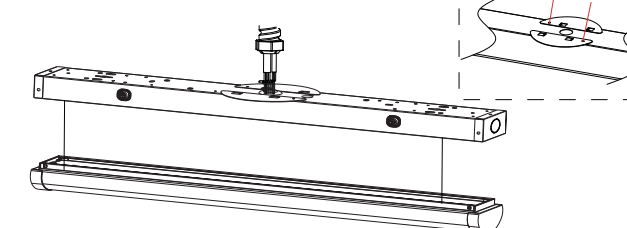


2. Swing open fixture by pushing in/squeezing both buttons located on opposite ends.

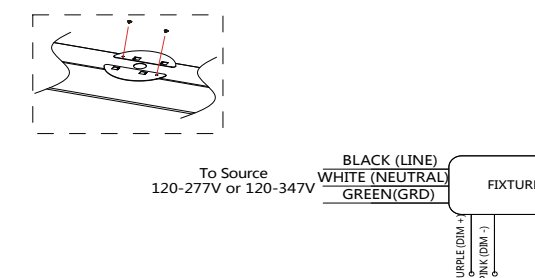
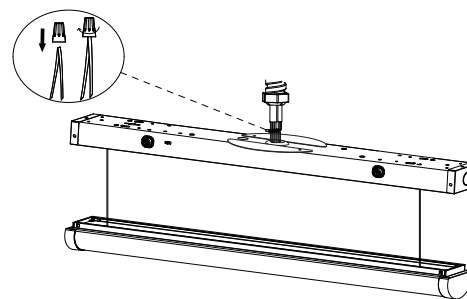


3. Run the fixture's power wires through the center hole of the round J-box adapter. Slide and secure the round J-Box adapter on the center slots located on the back of the fixture.

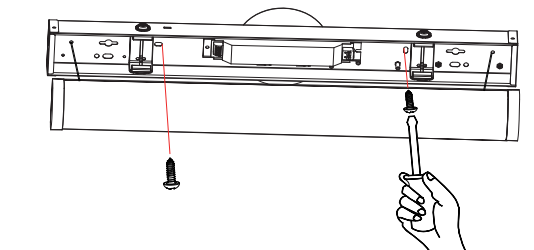
Note: J-Box adapter is used to cover the Junction Box



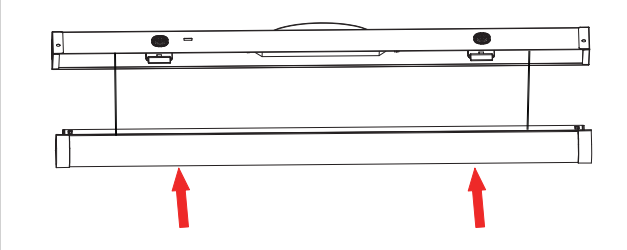
4. Turn off the power and make wiring by using wire nuts according to wiring diagram



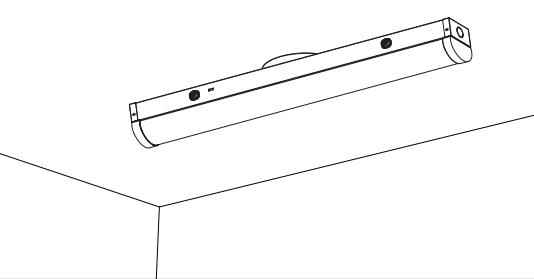
5. Secure the fixture to the wall with the correct mounting hardware



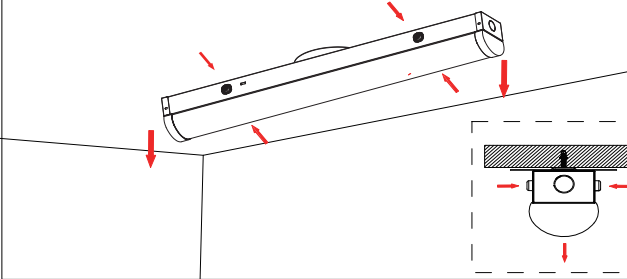
6. Press upward the cover and lock it with springs tightly which located into the fixture



7. The installation is completed and energize the luminaire to verify operation.



8. Swing open fixture by pushing in/squeezing both buttons located on opposite ends, if need to disassemble the fixture



The Installation must be carried out by a qualified electrician.