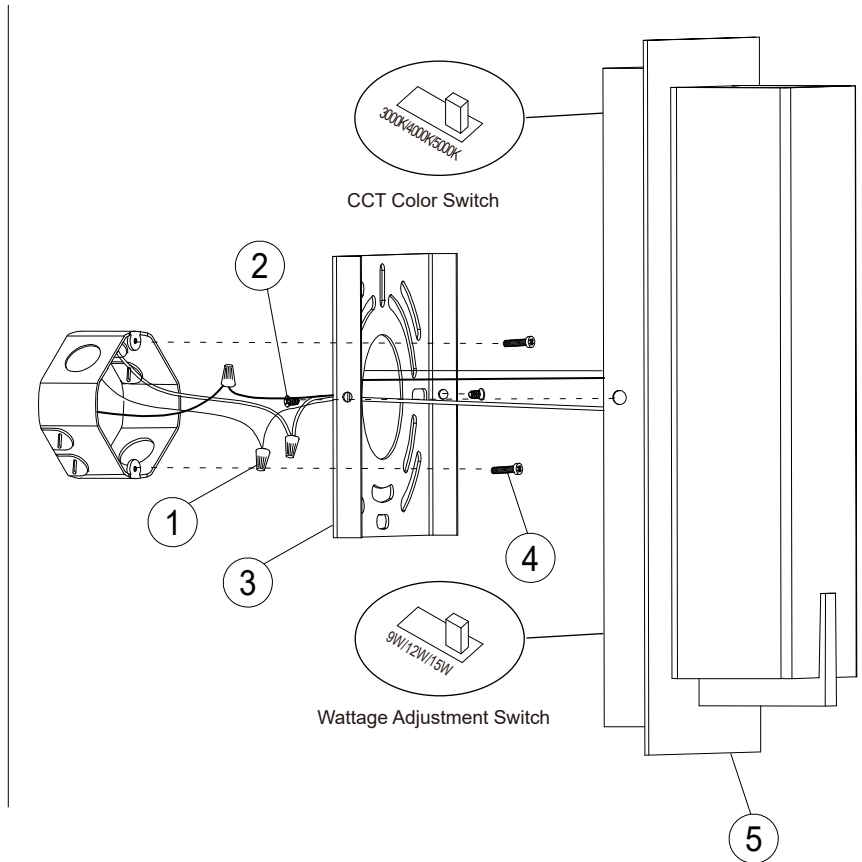


**PLEASE READ THESE INSTRUCTIONS CAREFULLY AND SAVE THEM, AS YOU MAY NEED THEM AT A LATER DATE.**

**WARNING:** Failure to install and wire fixture in accordance with the National Electrical Codes (NEC), all applicable Federal, State and Local electrical codes, as well as Specific U.L. safety standards for the intended working environment (location/ application) may cause serious personal injury, death and/or property damage. This product must be installed by a person familiar with the construction and operation of the product and the hazards involved. Risk of fire and electrical shock. Most dwellings built before 1985 have supply wires rated 60°C. Consult a qualified electrician before installing. If supply wires are located within 3 inches to the ballast use wires rated at least 90°C.

**CAUTION: TURN OFF POWER FROM THE MAIN CIRCUIT BEFORE INSTALLING FIXTURE.** Make sure fixture is grounded per National Electrical Codes (NEC). These fixtures are intended to be mounted to a metal outlet box. The box must be directly supported by the building structure. This fixture is suitable for damp locations.



## ASSEMBLY INSTRUCTIONS

1. Remove mounting bracket (3) from the fixture (5) by removing two screws (2).
2. Install mounting bracket (3) to decorative box (not provided) using two screws (4) to secure it.
3. Wiring fixture  
Make all wire connections to appropriate wire. Secure with wire nuts (1).  
Connect the white wire from the fixture to the white (N) wire from supply power source. Connect the black wire from the fixture to the black (L) wire from supply power source. Connect the green or bare wire from the fixture to the supply power source ground wire. Tuck all connections neatly into the decorative box.
4. Flip the lid off the switch, the operation of color temperature power and photosensitive function is shown in the figure.
5. Install fixture (5) to the mounting bracket (3) by aligning both hole on top and bottom with the bracket then using two screws (2) to secure it.
6. Power to the fixture can now be restored.