

PLEASE READ THESE INSTRUCTIONS CAREFULLY AND SAVE THEM, AS YOU MAY NEED THEM AT A LATER DATE.



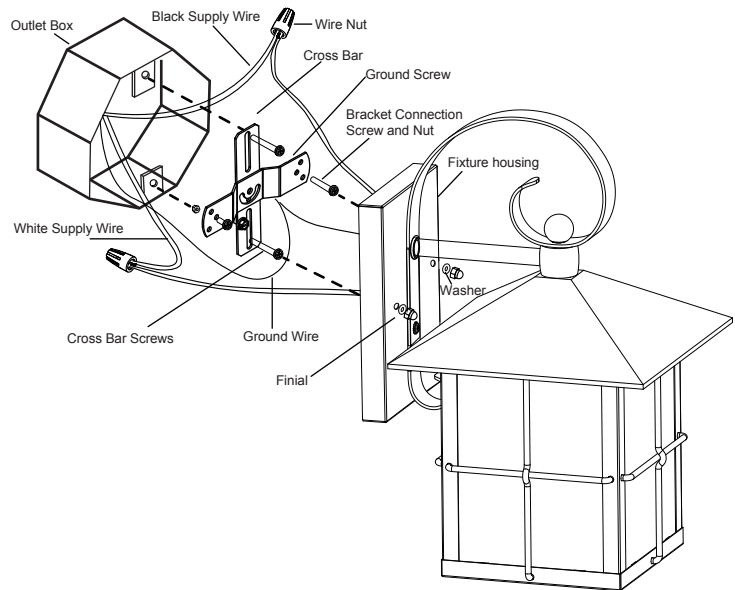
WARNING: Failure to install and wire fixture in accordance with the National Electrical Codes (NEC), all applicable Federal, State and Local electrical codes, as well as Specific U.L. safety standards for the intended working environment (location/application) may cause serious personal injury, death and/or property damage. This product must be installed by a person familiar with the construction and operation of the product and the hazards involved.

CAUTION: TURN OFF POWER FROM THE MAIN CIRCUIT BEFORE INSTALLING FIXTURE. Make sure fixture is grounded per National Electrical Codes (NEC).

Caution: These fixtures are intended to be mounted to a metal outlet box. The box must be directly supported by the building structure. This fixture is suitable for wet location.

Important Note: The safeguards and instructions appearing in this page, are not meant to cover all possible conditions and situations that may occur. It may be understood that common sense, cautions and care are factors, which cannot be built into any product. The person(s) installing, operation and responsible for the light fixture, must execute these factors.

Warning: Risk of fire and electrical shock. Most dwellings built before 1985 have supply wires rated 60°C. Consult a qualified electrician before installing. If supply wires are located within 3 inches to the ballast use wires rated at least 90°C.



Assembly Instructions

Step 1 – Preparing for installation.

- Disconnect electrical power at fuse or circuit breaker box before installing or servicing any part of this fixture.
- Carefully remove the fixture from the carton and check that all parts are included.
- Disassemble cross bar from the fixture housing by removing all necessary components per illustration shown.
- Install cross bar to the junction box (not included).
Wiring—all wiring must take place inside junction box (not included).
Caution: Make sure power is off at fuse or circuit breaker box. Check power wires for damage or scrapes. Use wire suitable for at least 90°C (194°F).
Note: Most dwellings built before 1985 have supply wire rated to 60°C. Consult a qualified electrician before installing.

Step 2 – Wiring fixture.

- Make all wire connections to appropriate wire. Secure with wire nuts (provided).
- Connect the green wire from the fixture and the supply power source ground wire.
- Connect the black wire from the fixture to the black (L) wire from supply power source.
- Connect the white wire from the fixture to the white (N) wire from supply power source.
- Pull on each wire lead to make sure connections are secure. Make certain no bare wires are exposed outside of wire connectors. Tuck all connections neatly into the junction box.

Step 3 – Mounting.

- Install fixture housing to cross bar by aligning holes on the housing then secure it with two finials.
- Slide the CCT switch on the DOB of fixture to select from 2700K, 3000K, 3500K, 4000K, 5000K.
- Apply a small amount of silicone (not included) per manufacturer's instruction around finials and around the fixture housing where it contacts with the surface of the wall.

Step 4 – Restore power at fuse or circuit breaker box.