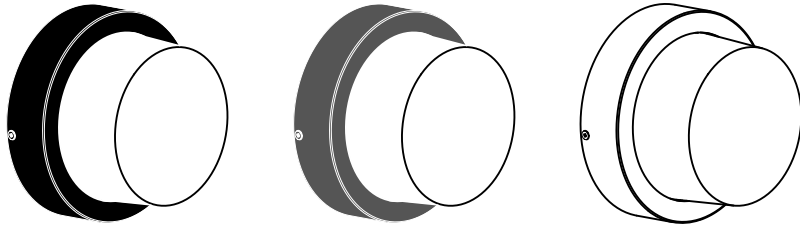


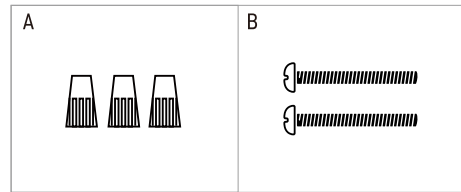
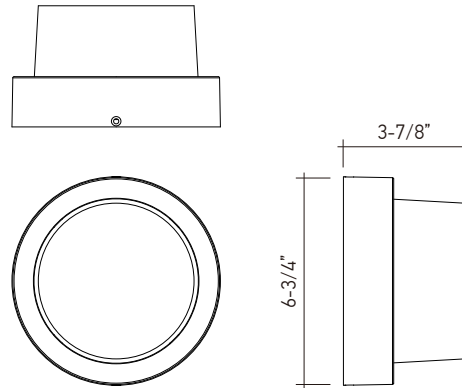
LED OUTDOOR WALL LIGHT



Finish: Black Bronze White

PACKAGE CONTENTS:

Part	Description	Q-ty
-	LED Outdoor Wall Light Cylinder	1
A	Wire nuts	3
B	Outlet box screws	2
-	Box	1
-	Installation Instructions	1



⚠ WARNING

RISK OF PERSONAL INJURY – PLEASE READ THESE INSTRUCTIONS CAREFULLY. FOLLOW ALL INSTALLATION INSTRUCTIONS AND OBSERVE ALL WARNINGS.

Make sure the “supply” voltage corresponds to the “rated” product voltage 120V 60Hz

Retain these instructions. Note: If you are an installer, please give these instructions to the property owner for future reference.

Risk of injury: Always wear the necessary safety equipment to prevent injuries when opening, handling, installing and maintaining this product.

Risk of electrical shock: This product must be installed in accordance with the applicable installation code by a professional familiar with the construction and operation of the product. The professional should also be aware of, and understand the hazards involved with the installation of this product.

Risk of Fire: Always consult with a qualified electrician to ensure the correct branch circuit conductor is utilized. The minimum conductor rating requirement is 90°C (194°F) in order to be code compliant.

INSTALLATION GUIDE

IMPORTANT SAFETY INFORMATION:

Please read all of the instructions below BEFORE installation.

- Make sure the “supply” voltage corresponds to the “rated” product voltage **120V 60Hz**
- The product **MUST** be installed by a qualified electrician in accordance with The National Electrical Code and corresponding local codes.
- If the product is damaged, **DO NOT ATTEMPT INSTALLATION AND DO NOT USE!**

INSTALLATION STEPS

Step 1 – Preparing for installation

- Disconnect electrical power at fuse or circuit breaker box before installing or servicing any part of this fixture.
- Remove fixture from carton; remove components from hardware kit.
- Remove the mounting bracket (2) from the fixture A (3).
- Install mounting bracket (2) to junction box (not provided) by tighten two screws (7) to secure it.

Wiring – All wiring must take place inside junction box (not included)

Caution: Make sure power is off at fuse or circuit breaker box. Check power wires for damage or scrapes. If power supply wires are within three inches of the LED driver, use wire suitable for at least 90°C (194°F). Note: Most dwellings built before 1985 have supply wire rated to 60°C. Consult a qualified electrician to ensure correct branch circuit conductor before installing.

Step 2 – Wiring fixture

- Make all wire connections to appropriate wire. Secure with wire nuts (provided).
- Connect the green wire from the fixture to the supply power source ground wire.
- For non-dimming fixture. Connect the white wire from the fixture to the white (N) wire from supply power source. Connect the black fixture wire to the black (L) wire from supply power source.
- For TRIAC dimming. Connect the white wire from the fixture to the white (N) wire from dimming source per dimmer wiring instructions. Connect the black wire from the fixture to the black (L) wire from dimmer supply power source per dimmer wiring instructions.
- Do not mix wires.** Pull on each wire lead to make sure connections are secure. Make certain no bare wires are exposed outside of wire connectors. Tuck all connections neatly into junction box(1).

Step 3 – Color changing temperature adjustment, CCT (if desired)

- Adjust CCT switch on back of fixture according to the desired color temperature as seen in figure 2. Note: Fixture is preset to 3000K from factory.

Step 4 – Mounting

- Install fixture A (3) to mounting bracket (2) by tighten two screws (4) on top and bottom to secure it as seen in figure 1;
- Install fixture B (5) to fixture A (3) by tighten two screws (6) on left and right to secure it.

Step 5 – Restore power at fuse or circuit breaker box

Figure 1

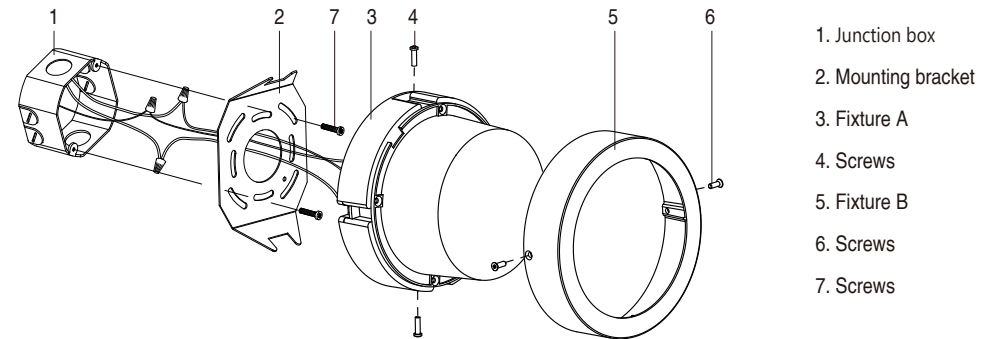


Figure 2

