

LED GLASS PENDANT LIGHT, MULTI COL

ITEM: LCFB-3LR-MCT5

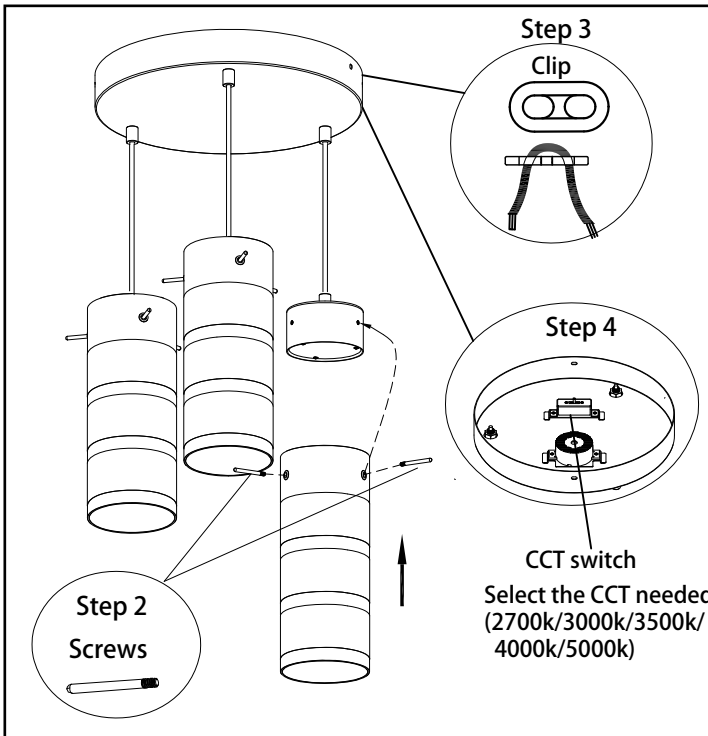
WESTGATE

www.westgatemfg.com

Please consult a qualified electrician for hanging fixture and wiring.

CAUTION: Before starting the installation, disconnect removing the fuse at the fuse box. Carefully unpack and identify all parts before assembly.

CAUTION: Always disconnect power at the main electrical panel before installation.



Step 1. Disconnect power at the main electrical panel.

Step 2. Install the glass carefully use the 3 screws provided. (3pcs screws for each glass.)

Step 3. Adjust the wire length needed and secure the wire by the clip.

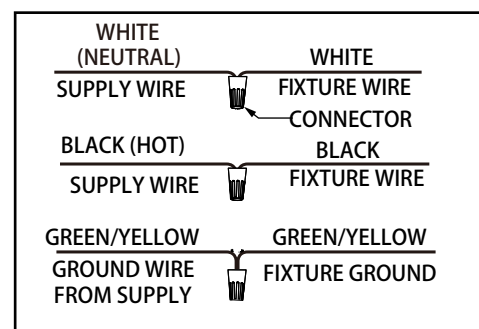
Step 4. Find the CCT switch on the canopy and select the CCT needed. (with 2700k/3000k/500k/4000k/5000k for selection).

Step 5. Screw the mounting plate to the junction.

Step 6. Connect supply wires to fixture wires and insulate with proper size wire nuts.

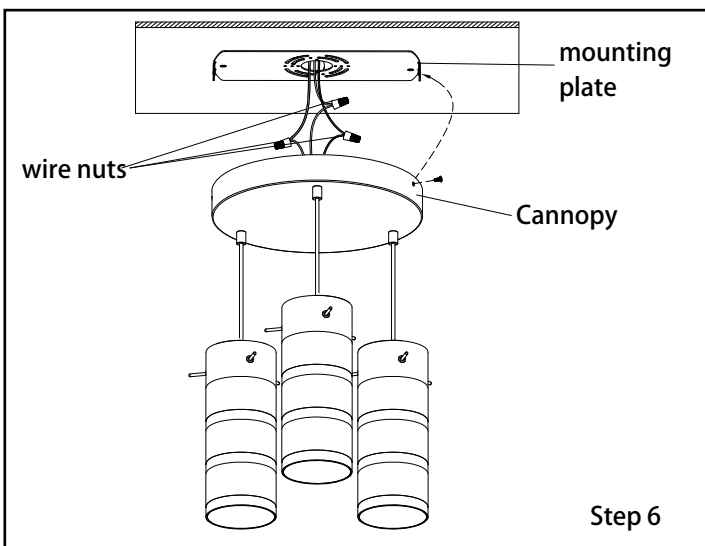
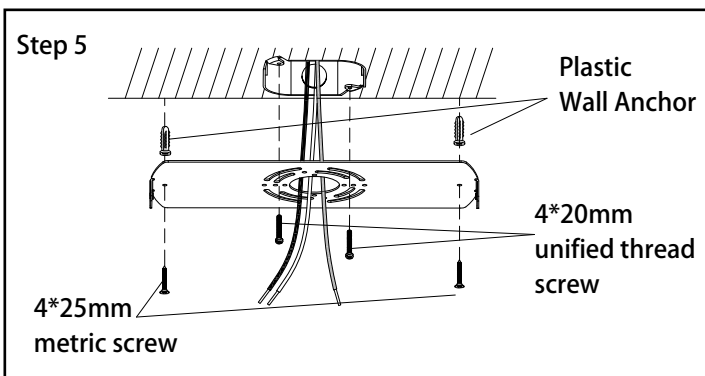
Connect incoming ground wire (green or bare) to fixture ground wire (green or bare). Connect incoming common (white) wire to fixture white wire. Connect incoming hot (typically black) wire to fixture black wire. Please reference the following wiring guide.

Wiring guide



Then, screw the canopy to the mounting plate.

Step 7. Installation finished, connect the power and turn on the lights.



www.westgatemfg.com