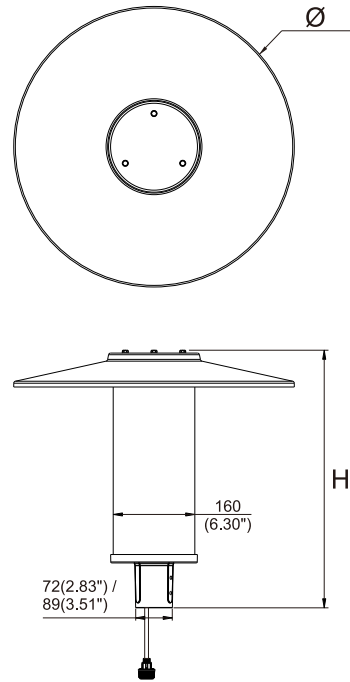
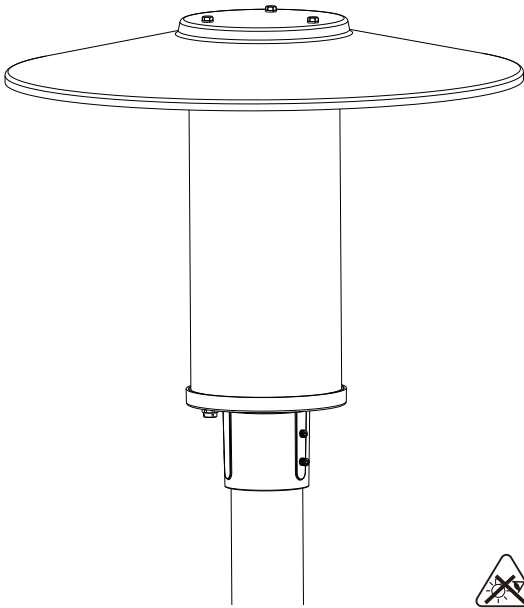


# TOP HAT GARDEN POST LIGHT

**WESTGATE**  
THE FUTURE IS HERE... AND IT'S QUITE BRIGHT!

## Installation Instructions

### Physical Dimensions(Unit: mm/inch)

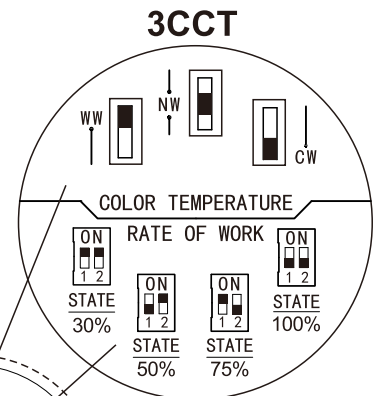
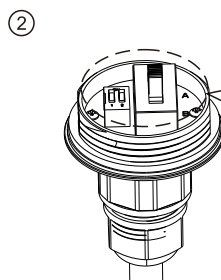
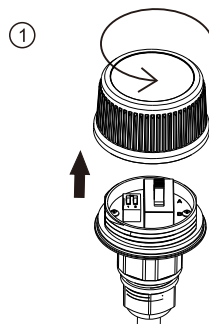
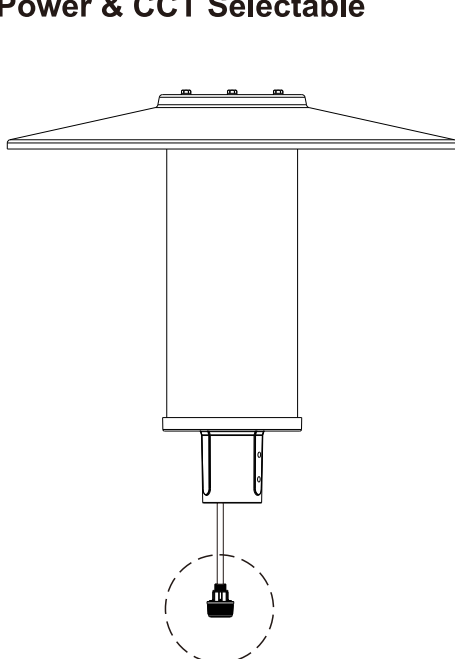


|                            |                                  |
|----------------------------|----------------------------------|
| Product Specifications     | 40W                              |
| Input Voltage              | 100-277Vac                       |
| Outlook Dimensions (Ø x H) | Ø550x505mm(Ø21.65"x19.88")       |
| Net Weight (±6%)           | 4.66kg(10.27Lbs)                 |
| Working Temperature        | -30°C to + 50°C(-22°F to +122°F) |
| Storing Temperature        | -30°C to +70°C(-22°F to +158°F)  |

\* Please subject to actual product for accurate weight.

## Power & CCT Selectable

\* Roughly ratio, subject to change to various drivers.



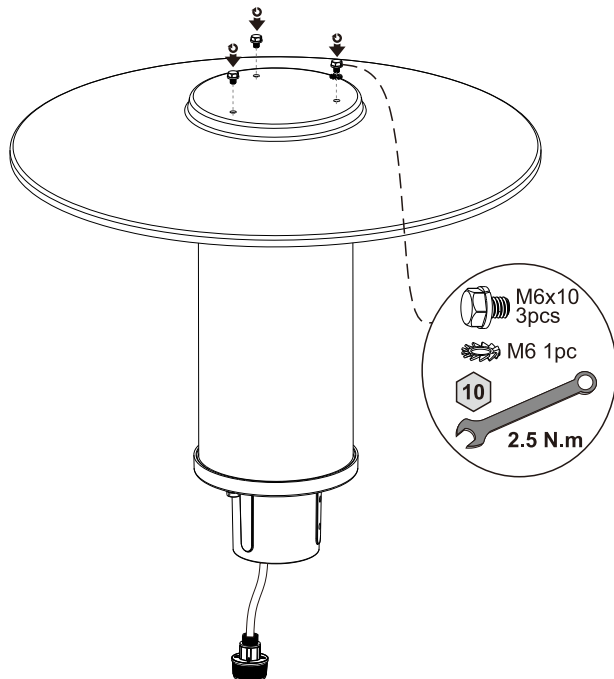
# TOP HAT GARDEN POST LIGHT

**WESTGATE**  
THE FUTURE IS HERE... AND IT'S QUITE BRIGHT!

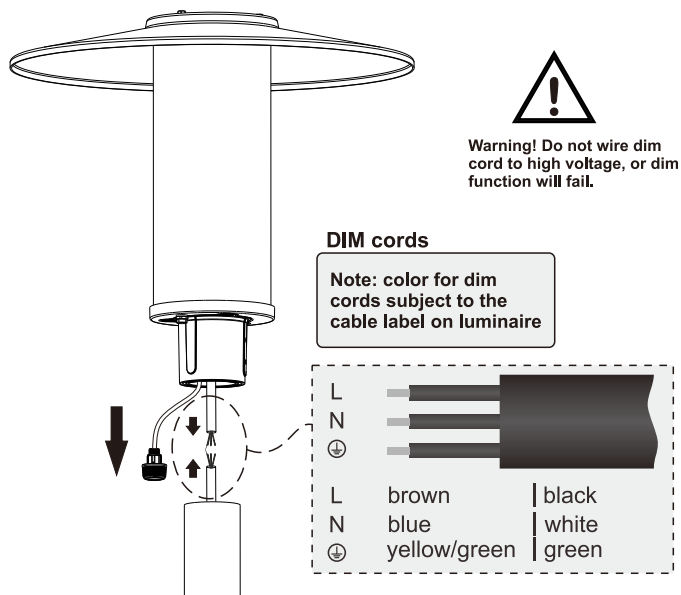
## Installation Instructions

### Installation

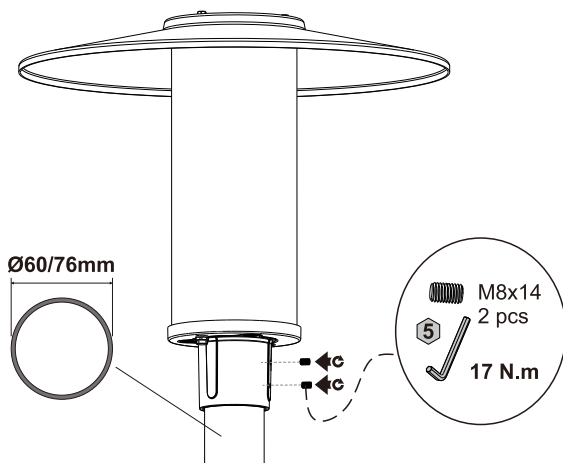
1. ✖



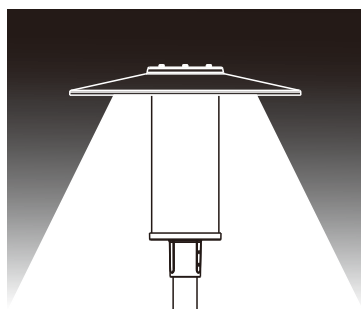
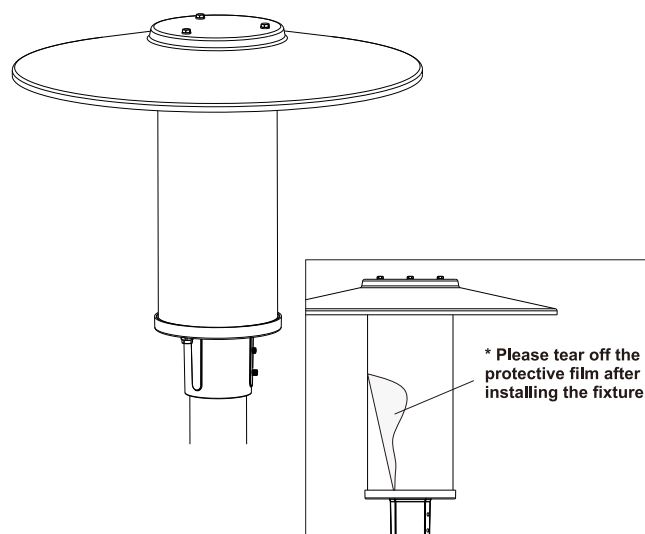
2. ✖



3. ✖



4. ✖



### Reminder

**We appreciate your purchase!**

**Please read the entire instruction manual before installation and keep it for future reference.**

1. Please do not modify or dismantle the luminaire or replace accessories without confirming with the supplier first.
2. Please authorize only qualified personnel to install the lamp and ensure they follow the instruction manual. Any improper installation might cause falling, electric shock, fire, or other injury, damage or hazard.
3. Please disconnect power before installation or any maintenance of the lamp. Do not touch the power supply when the lamp is operating.
4. If the luminaire begins to smoke or emit odors, please disconnect power since fire or electric shock may occur. And ask qualified person to inspect and maintain the luminaire.
5. If the external flexible cable or cord of this luminaire is damaged, it shall be exclusively replaced by the manufacturer or his service agent or a similar qualified person in order to avoid a hazard.
6. We suggest you adding a separate surge protection device in distribution box to extend luminaire lifespan.

### Applications

1. The product is designed for courtyard, private and public garden, community, causeway and similar applications. For other special applications, please consult your salesperson to confirm firstly.
2. The suggested mounting height of the luminaire is 3-5m.