


INSTALLATION MANUAL

IMPORTANT SAFETY PRECAUTIONS

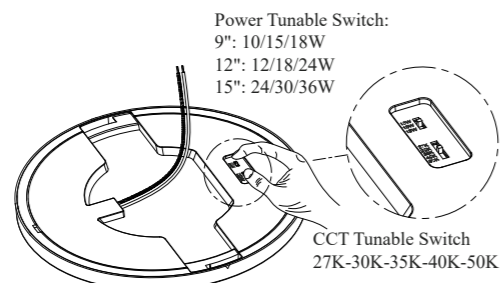
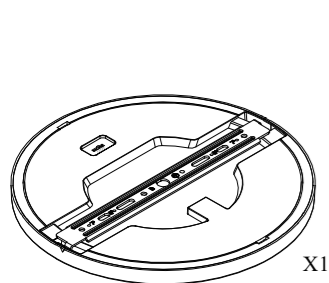
Before you begin, read these instructions completely and carefully.

- Be certain electrical power is OFF before and during installation, maintenance and removal.
- Luminaire wiring must be properly grounded in accordance with the NEC and any applicable local code requirements.
- Use only UL or IEC approved wire for input/output connections.
- Verify that supply voltage matches voltage on luminaire label. Installation to any other connection may void the warranty.
- Wear gloves during installation to prevent injury and do not expose wiring to metal or sharp edges.
- Do not install in areas subject to combustible vapors or gases. Verify luminaire location ratings are suitable for installation environment (refer to specification sheet as needed).
- Do not restrict luminaire's ventilation by covering with material that will cause luminaire to overheat and potentially shorten the lifespan.
- Ensure LED luminaire has the correct polarity before installation.



WARNING: To reduce the risk of personal injury or property damage from fire, electrical shock, abrasions, burns and all other hazards, read all provided warnings and follow installation instructions. This product should be installed, inspected and maintained by a qualified electrician. Installation of luminaire must be in accordance with NEC and local code requirements.

PACKAGE CONTENTS

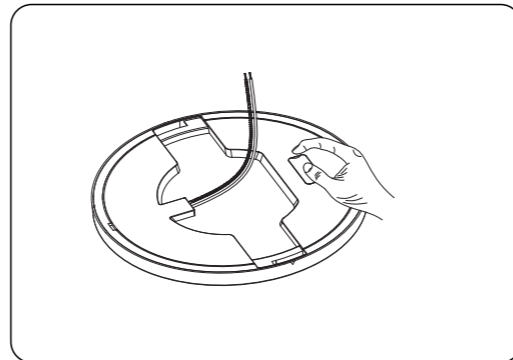


Power Tunable Switch:
9": 10/15/18W
12": 12/18/24W
15": 24/30/36W

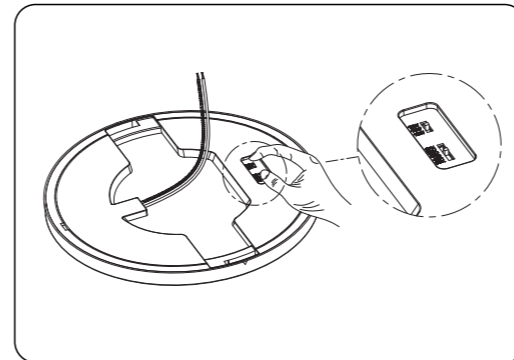


If the one is CCT & Power switchable lamp pls select the proper CCT/Wattage by adjusting the dial switch before installation.

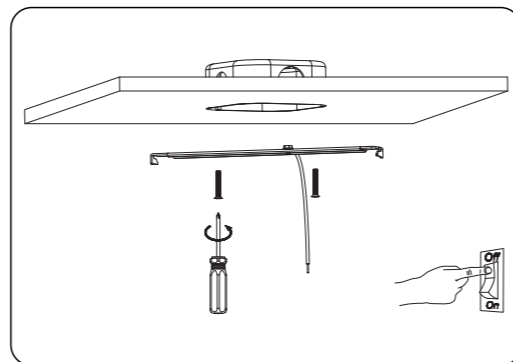
JUNCTION BOX MOUNTING:CEILING



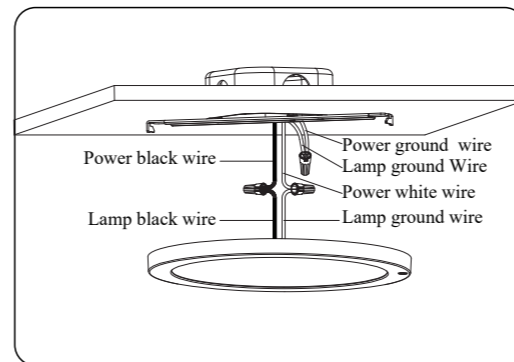
1. After taking the panel light out of the packaging box, open the translucent waterproof silicone cover on the back of the lamp. If the lamp model is a non-waterproof version or a single color temperature version, this step can be ignored.



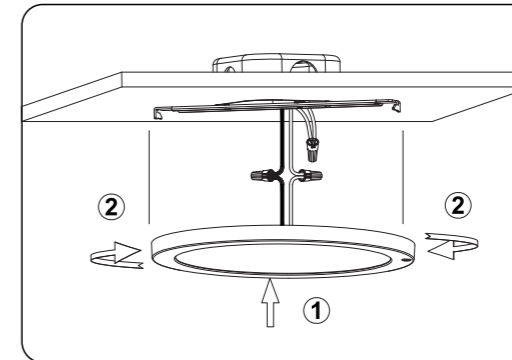
2. Toggle the power adjustment lever to the desired power level and the color temperature lever to the desired color temperature. If it is a color-adjustable version, toggle the color temperature lever to the required color temperature. If the lamp model is a single color temperature version, this step can be ignored. After completion, put the translucent waterproof silicone cover back on. If the lamp model is a single color temperature version or a non-waterproof version, this step can be ignored.



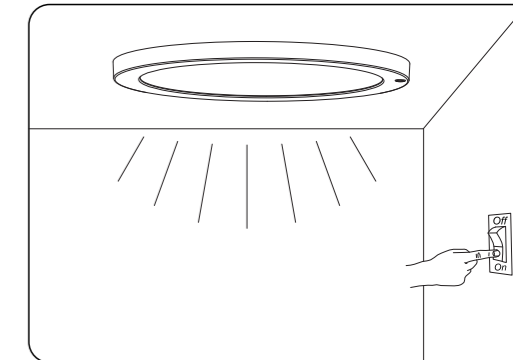
3. Turn off the power, then use the screws in the accessory bag to lock the mounting bracket onto the junction box.



4. Use the wire nut in the accessory bag with connect the power wires led out from the junction box with the incoming wires of the lamp.











5. Bring the lamp with the connected wires close to the junction box, push the wires into the junction box, align the triangular mark on the side of the lamp with the mounting bracket, and screw it into the mounting bracket in the direction of the arrow.



6. Turn on the power switch, test the lamp, and the installation is completed after it works properly.

Introduction to Remote Control Functions

1. Each time it is powered on, it will first perform a self-test for 5 seconds (the light will be on for 5 seconds and then enter the default mode).
2. After power-on, the default mode is: sensing + night mode (sensing light-on time is 30 seconds + brightness detection).
3. The buttons of the remote control are as shown in the figure below:

	Turn on the light		Turn off the light
	Day mode (all-day sensing mode)		Night mode (illuminance detection, sensing only in low illuminance)
	Always-on mode (turn off the sensing function, keep lighting on)		Reset settings (cancel all settings and restore to sensing + night mode)
	Timing 2H (in sensing mode or always-on mode, the light will turn off when the time is up)		Timing 4H (in sensing mode or always-on mode, the light will turn off when the time is up)