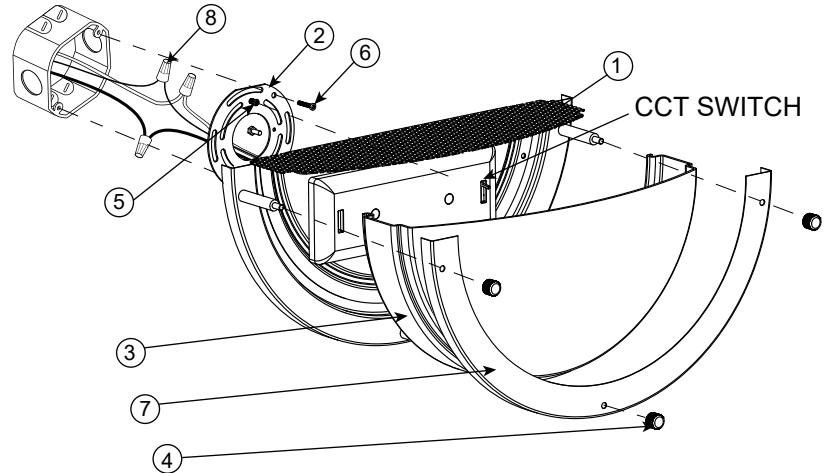


PLEASE READ THESE INSTRUCTIONS CAREFULLY AND SAVE THEM, AS YOU MAY NEED THEM AT A LATER DATE.

WARNING: Failure to install and wire fixture in accordance with the National Electrical Codes (NEC), all applicable Federal, State and Local electrical codes, as well as Specific U.L. safety standards for the intended working environment (location/ application) may cause serious personal injury, death and/or property damage. This product must be installed by a person familiar with the construction and operation of the product and the hazards involved. Risk of fire and electrical shock. Most dwellings built before 1985 have supply wires rated 60°C. Consult a qualified electrician before installing. If supply wires are located within 3 inches to the ballast use wires rated at least 90°C.

CAUTION: TURN OFF POWER FROM THE MAIN CIRCUIT BEFORE INSTALLING FIXTURE. Make sure fixture is grounded per National Electrical Codes (NEC). These fixtures are intended to be mounted to a metal outlet box. The box must be directly supported by the building structure. This fixture is suitable for damp locations.



ASSEMBLY INSTRUCTIONS

1. Disconnect electrical power at fuse or circuit breaker box before installing or servicing any part of this fixture.
2. Carefully remove the fixture from the carton, remove components from hardware kit.
3. Remove Lens (3) from fixture (1) by removing 3 decorative nuts (4) then set them aside until ready to be reinstalled in Step 9.
4. Remove mounting bracket (2) from fixture (1) by removing 2 nuts (5) then set them aside until ready to be reinstalled in Step 9.
5. Install mounting bracket (2) to junction box (not included) by using 2 screws (6) to secure it temporary to the wall.
Note: fixture can be horizontally or vertically mounted on the wall.
6. Proceed to pull supply power source wires from the junction box through the mounting bracket (2) while it is still loose. Then install mounting 3 bracket to the wall using hardware as described in accordance with previous steps to secure it.
7. Connect the power supply wires to the fixture lead wires by wire nuts (8), connecting the black fixture wire to the black supply wire , the white fixture wire(8) to the white supply wire and fixture ground wire to the supply ground wire . Secure the connection with wire nuts (8). Carefully tuck all wiring back into the outlet box.
8. Adjust CCT switch on the module of the fixture according to the desired color temperature as shown below.
9. Mounting fixture:
 - A. Install fixture (1) to mounting bracket (2) by aligning it top and bottom keyholes then tighten the screws(5) to secure it.
 - B. Install Lens (3) and decorative ring (7) to fixture (1) by aligning them top and bottom holes then using decorative nuts(4) to secure it.
10. Turn on power at the circuit breaker.