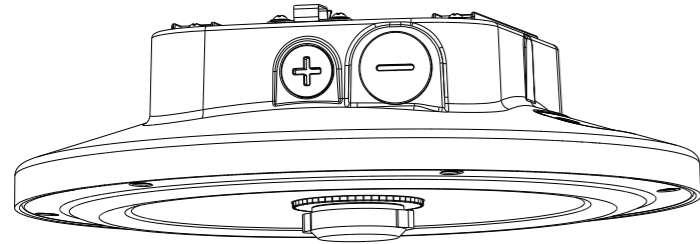


X-GEN 160 LM/W CANOPY LIGHT WITH UPLIGHT

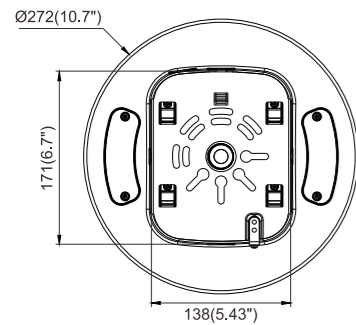
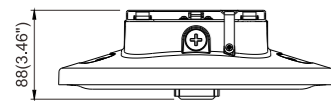
Installation Instructions

WESTGATE
THE FUTURE IS HERE...AND IT'S QUITE BRIGHT!

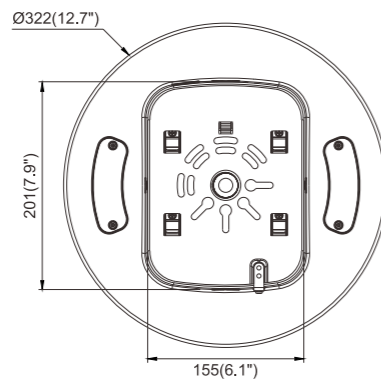
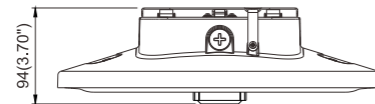


Physical Dimensions(Unit: mm/inch)

25W/40W/60W



80W/100W

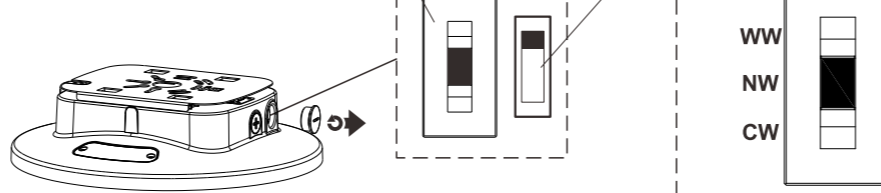


| Product Specifications | 25W | 40W | 60W | 80W | 100W |
|------------------------|---|-----|-----|-------------------------|-------------------------------------|
| Input Voltage | 120-277Vac / 120-347Vac / 100-277Vac / 100-240Vac / 220-240Vac (Subject to the input voltage on nameplate) | | | | |
| Power Frequency | 50 / 60 Hz | | | | |
| Outlook Dimensions | Ø272x88mm(Ø10.7"x3.46") | | | Ø322x94mm(Ø12.7"x3.70") | |
| Net Weight(±6%) | 2.1kg(4.63Lbs) | | | 2.6kg(5.73Lbs) | |
| Working Temperature | -30°C to +50°C(-22°F to +122°F) | | | | -30°C to +45°C (-22°F to +113°F) |
| Storing Temperature | -40°C to +70°C(-40°F to +158°F) | | | | |

* Please subject to actual product for accurate weight.

Power & CCT Selectable

* Warning: Please disconnect power before adjusting the power and CCT.

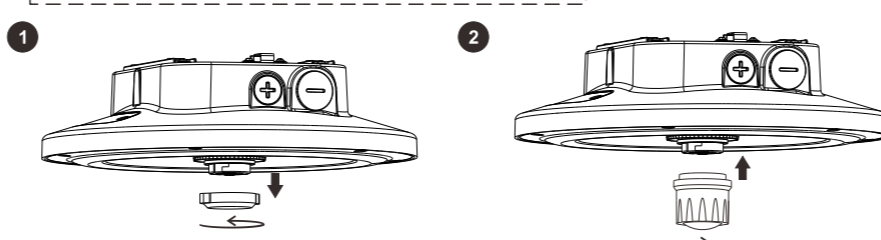
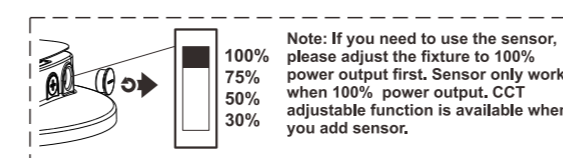


4 Power Selectable

* The tolerance for power is ±10%

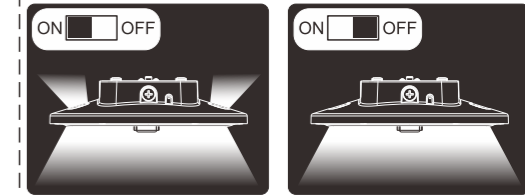
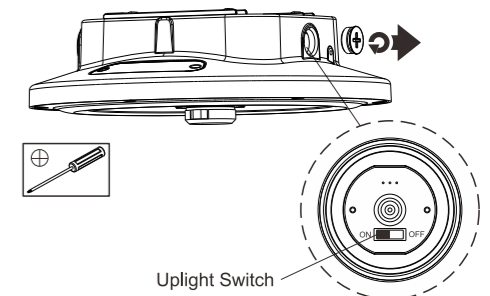
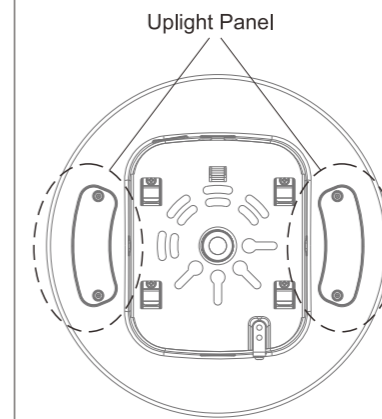
| Power | 100% | 75% | 50% | 30% |
|-------|------|-----|-----|------|
| 25W | 25W | 19W | 13W | 7.5W |
| 40W | 40W | 30W | 20W | 12W |
| 60W | 60W | 45W | 30W | 18W |
| 80W | 80W | 60W | 40W | 24W |
| 100W | 100W | 75W | 50W | 30W |

Sensor Mounting

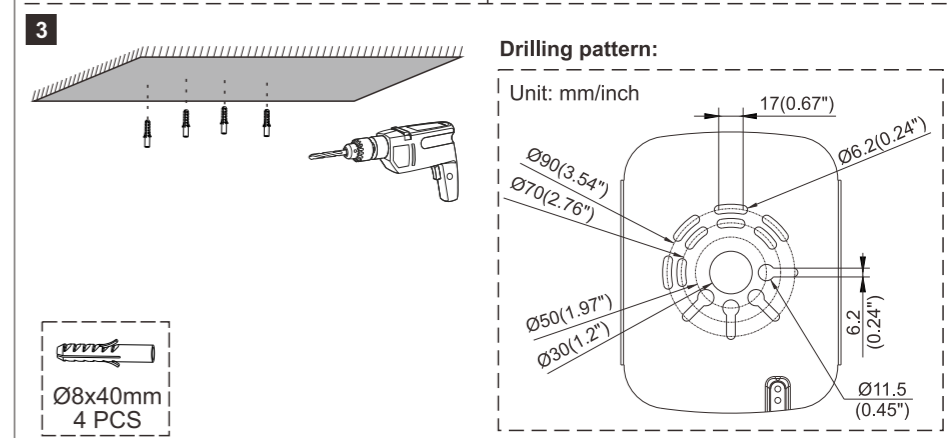
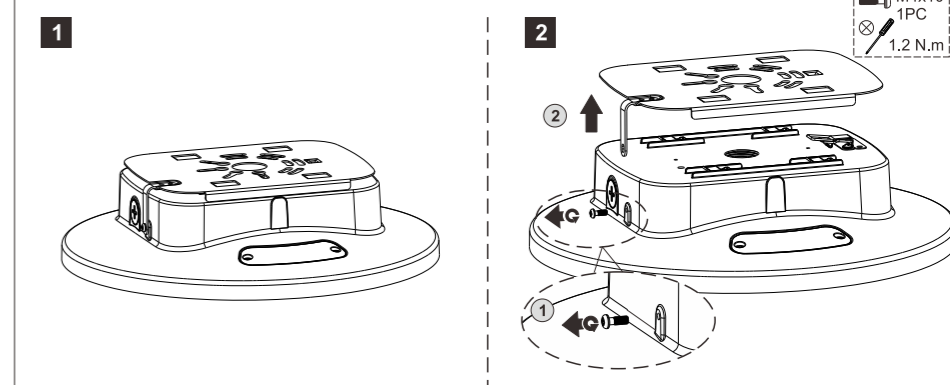


Uplight (Standard)

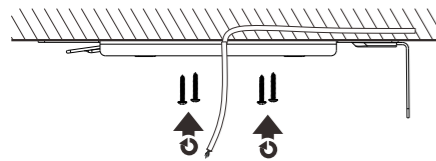
* Uplight is standard, if not needed, please turn off the switch.



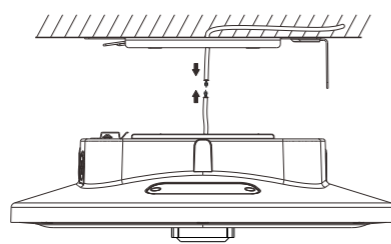
Ceiling Mounting



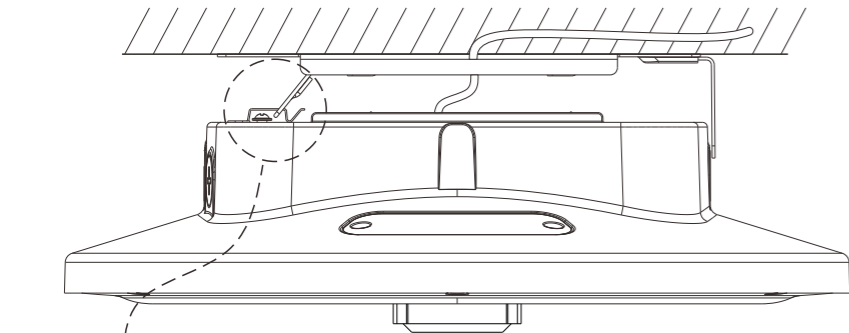
4



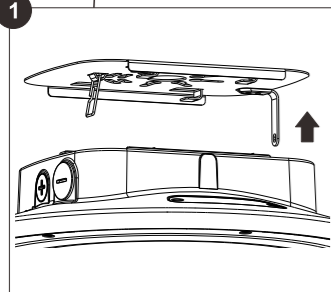
5



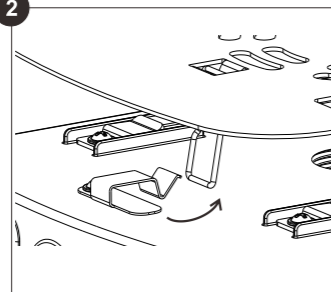
6



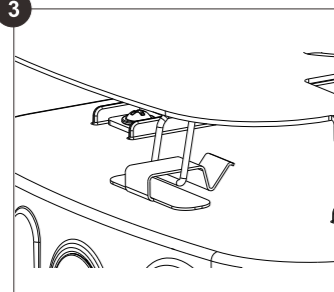
1



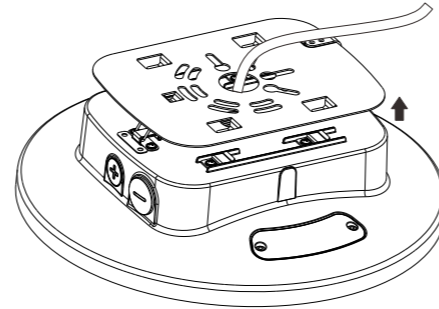
2



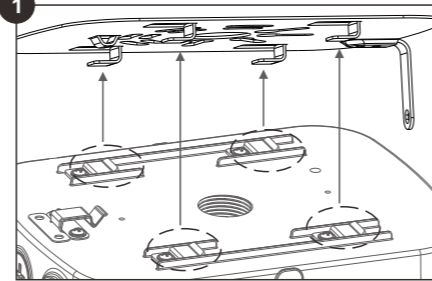
3



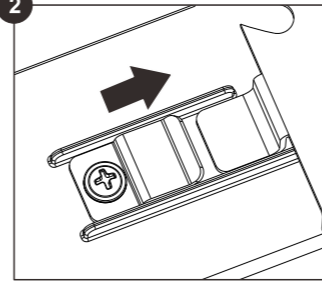
7



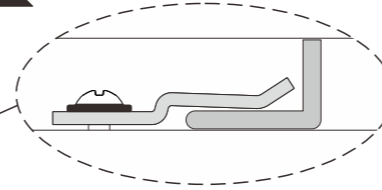
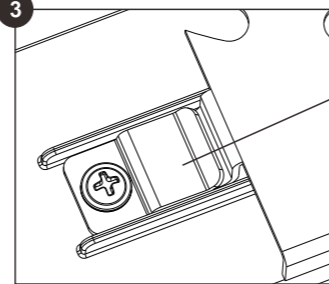
1



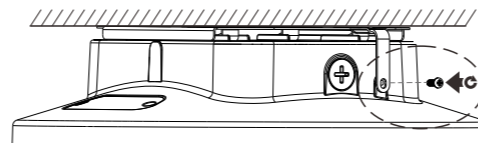
2



3

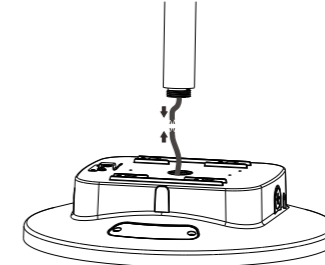


8

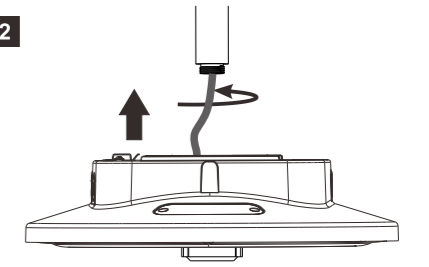


3/4" NPT Conduit Mounting

1

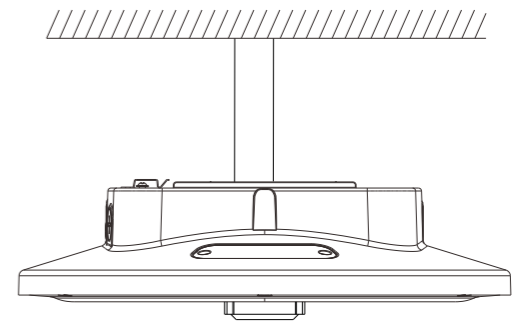


2



USE PLUMBERS TAPE/PUTTY FOR SECURE SEAL, OTHERWISE LUMINAIRE WILL NOT BE WATERTIGHT

3



AC cords

| | | |
|---|--------------|-------|
| L | brown | black |
| N | blue | white |
| ⊕ | yellow/green | green |

Reminder

We appreciate your purchase!

Please read the entire instruction manual before installation and keep it for future reference.

1. Please do not modify or dismantle the luminaire or replace accessories without confirming with the supplier first.
2. Please authorize only qualified personnel to install the lamp and ensure they follow the instruction manual. Any improper installation might cause falling, electric shock, fire, or other injury, damage or hazard.
3. Please disconnect power before installation or any maintenance of the lamp. Do not touch the power supply when the lamp is operating.
4. If the luminaire begins to smoke or emit odors, please disconnect power since fire or electric shock may occur. And ask qualified person to inspect and maintain the luminaire.
5. If the external flexible cable or cord of this luminaire is damaged, it shall be exclusively replaced by the manufacturer or his service agent or a similar qualified person in order to avoid a hazard.
6. The light source contained in this luminaire shall only be replaced by the manufacturer or his service agent or a similar qualified person.
7. We suggest you adding a separate surge protection device in distribution box to extend luminaire lifespan.

Applications

1. The product is designed for indoor parking area, garage, basement and similar applications. For other special applications, please consult your salesperson to confirm firstly.
2. The product is designed for indoor.
3. Too much dust or oil accumulation on PC lens will stop the lighting emit and heat dissipation, it will change lighting distribution, and cause high heat inside to affect LED chips performance. For such environments, we suggest you to clean the luminaire regularly to ensure longer lifespan. Or you need to use product with glass cover and better heat performance instead.
4. The suggested mounting height of the luminaire is 3-5m.
5. If you want add sensor on the luminaire, please mount samples in your project before mounting batch volume directly. Here are some tips to choose the right sensor: microwave sensor should keep away from large areas of metal and glass reflectors (separation distance at least 1m) to avoid luminaire abnormal working. PIR sensor should keep away from high temperature environments to avoid luminaire no response, please contact your salesperson for detailed suggestion for certain project.