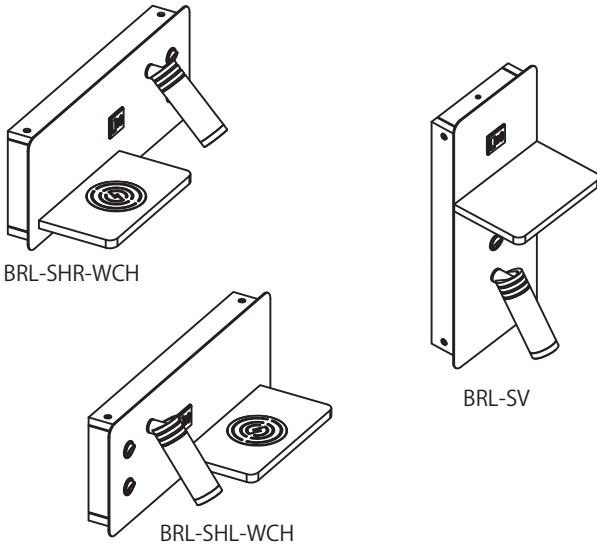


BRL-SHR-WCH, BRL-SHL-WCH BRL-SV Series

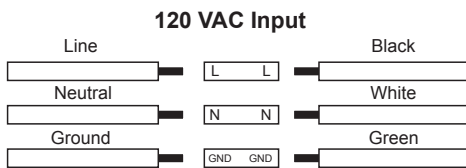
Important: Read all instructions prior to installation.



Safety and Notes

- Product should be installed and serviced in accordance with applicable national, state, and local building and electrical codes.
- To reduce the risk of electric shock, ensure that the main power source and circuit breakers are switched off before performing any installation or wiring procedures.
- Avoid looking directly into lamp when illuminated.
- Ensure all mounts are securely attached and will support the weight of the fixture. Failure to properly support fixture may result in damage or injury, for which the manufacturer does not assume responsibility.
- There are no serviceable parts inside this fixture. Do not attempt to dismantle or service this fixture in any way. If LEDs or protective lens cover are damaged, the fixture must be replaced.
- Not intended for recess mounting in any type of installation.
- Use minimum 18 AWG coated wire for supply leads and connect to 120 VAC only.

Wiring Diagram



Specifications

Model	WSR/WSS Series
Operating Temperature	-22°–104° F (-30°–40° C)
Environmental Rating	Suitable for dry locations

Check product label for specific electrical specifications related to installation.
Improper installation will void warranty.

Installation

1. Turn off breaker to remove supply power from circuit.
2. Attach the provided mounting plate to junction box with two screws.
3. Connect wiring, see the 'Wiring Diagram' above.
4. After connecting all wires, push all wires and wirenuts back through center hole of mounting plate and into the cavity of the electrical box, while positioning the fixture to align with the mounting points / tabs.
5. Secure the fixture with mount plate with screws.
6. Restore supply power.

Note:

BRL-SHR-WCH and BRR-SHR-WCH are with wireless incharger, horizontal installation.

BRL-SV is without wireless incharger, vertical installation.

