

PLEASE READ THESE INSTRUCTIONS CAREFULLY AND SAVE THEM, AS YOU MAY NEED THEM AT A LATER DATE.



WARNING: Failure to install and wire fixture in accordance with the National Electrical Codes (NEC), all applicable Federal, State and Local electrical codes, as well as Specific U.L. safety standards for the intended working environment (location/application) may cause serious personal injury, death and/or property damage. This product must be installed by a person familiar with the construction and operation of the product and the hazards involved.

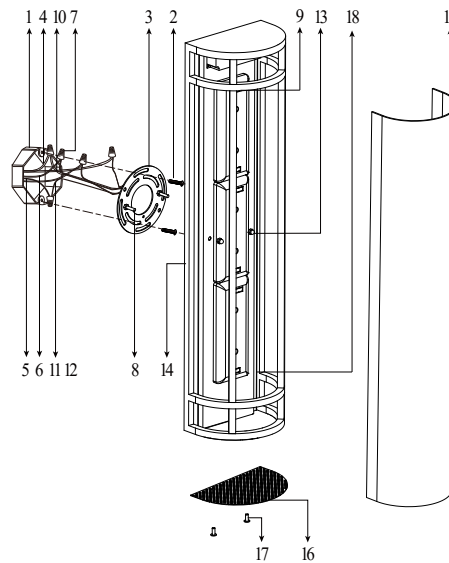
CAUTION: TURN OFF POWER FROM THE MAIN CIRCUIT BEFORE INSTALLING FIXTURE. Make sure fixture is grounded per National Electrical Codes (NEC).

Caution: These fixtures are intended to be mounted to a metal outlet box. The box must be directly supported by the building structure. This fixture is suitable for wet location.

Important Note: The safeguards and instructions appearing in this page, are not meant to cover all possible conditions and situations that may occur. It may be understood that common sense, cautions and care are factors, which cannot be built into any product. The person(s) installing, operation and responsible for the light fixture, must execute these factors.

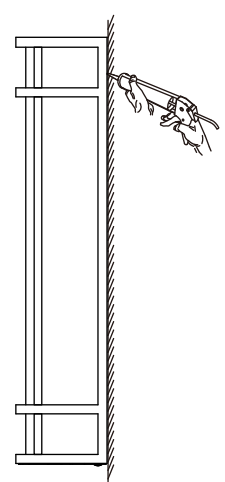
Warning: Risk of fire and electrical shock. Most dwellings built before 1985 have supply wires rated 60°C. Consult a qualified electrician before installing. If supply wires are located within 3 inches to the ballast use wires rated at least 90°C.

Figure 1



- | | | |
|------------------------------|-------------------------|----------------------|
| 1. OUTLET BOX (NOT INCLUDED) | 7. WIRE NUT | 13. HEX NUTS |
| 2. MOUNTING SCREW | 8. HEX SCREWS | 14. FIXTURE BACK |
| 3. MOUNTING BRACKET | 9. POWER SWITCH | 15. DIFFUSER |
| 4. WHITE SUPPLY WIRE | 10. WHITE FIXTURE WIRE | 16. PROTECTIVE COVER |
| 5. BLACK SUPPLY WIRE | 11. BLACK FIXTURE WIRE | 17. SCREWS |
| 6. SUPPLY GROUND WIRE | 12. FIXTURE GROUND WIRE | 18. CCT SWITCH |

Figure 2



1. SHUT OFF MAIN ELECTRICAL SUPPLY FROM THE MAIN FUSE BOX/CIRCUIT BREAKER!
2. Remove diffuser(15) from the fixture by loosening two screws(17) to remove the protective cover (16).
3. Screw the fixture screws (8) into the mounting bracket (3).
4. Pull the power supply wires out from the OUTLET BOX (1). Attach the mounting bracket (3) to the outlet box (1) using mounting screws (2).
5. Make the following wire connections (Fig.1, using the provided WIRE NUTS: Make wire connections,connect the black supply wire (5) to black fixture wire (11) , white supply wire (4) to white fixture wire (10) and the fixture ground wire (12) to supply ground wire (6) using wire nuts (7). If fixture connect to triac dimmer, please use wire nuts(provided) to close the purple fixture wire, and close the pink fixture wire separately (Do not connect purple & pink wire together directly, or fixture might not light up). If fixture connect to 0-10V dimmer, please connect "Dim+" supply wire to purple fixture wire, "Dim-" supply wire to pink fixture wire using wire nuts. Wrap all wire connections with electrical tape for secure connection. If necessary, wrap all wire connections in electrical tape to ensure a secure connection.
6. After wires are connected, tuck all wires carefully inside the outlet box. Place the fixture back on the cross bar, install the fixture by twisting hex nuts(13). Make sure the unit is tight and secure against the cross bar by fastening the hex screws(8).
7. Toggle the CCT switch(18) to select from 3000K, 4000K, 5000K. Select your preferred power Toggle Power switch (9).
8. Slide the diffuser(15) into fixture from bottom. Tightening the screws(17) through the protective cover (16) to hold the diffuser.
9. Turn power on. Check light can turn on or not, if not, double check wire connection.
10. After mounting the fixture, caulk the surface between the fixture back(14) and the mounting surface.(Fig.2)
11. Installation complete, Turn power on.