

SPL

TECHNICAL SPECIFICATIONS:

- :: 4 Feet long
- :: Housing: White, Die-cast Aluminum
- :: Lens: Clear Patterned Light Guid Panel
- :: Coupling Brackets for Tandem Installation Pre-installed
- :: Voltage: 120~277VAC 50/60Hz
- :: Wattage: 40W
- :: Ambient Temperature: -13°F~104°F
- :: Dimmable: 0~10V dimmable
- :: CRI:>80
- :: Power Factor:>0.95
- :: Efficacy: 105LM/W
- :: IP Rating: IP20
- :: Life Span: 50,000 hours



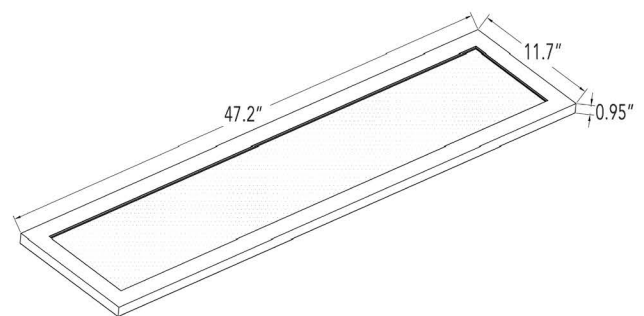
Optional Accessories (See Page B34)



6 Ft. Cord
SJTW 18 AWG 5-Conductor
(Not Included)



Adjustable 6 Ft.
Suspension Kit
Select a Y-Connector
Key Hole Set
(Not Included)



LED SUSPENDED UP/DOWN PANEL LIGHTS

CATALOG NO.	WATTS	LUMENS (UP/DOWN)	COLOR TEMP	DIMENSIONS
SPL-4FT-40W-50K-D	40W	2100LM/2100LM	5000K	47.2"(L) x 11.7"(W) x 0.95"(H)
SPL-4FT-40W-40K-D	40W	2100LM/2100LM	4000K	
SPL-4FT-40W-35K-D	40W	2100LM/2100LM	3500K	