

# SLW & SLB



### TECHNICAL SPECIFICATIONS:

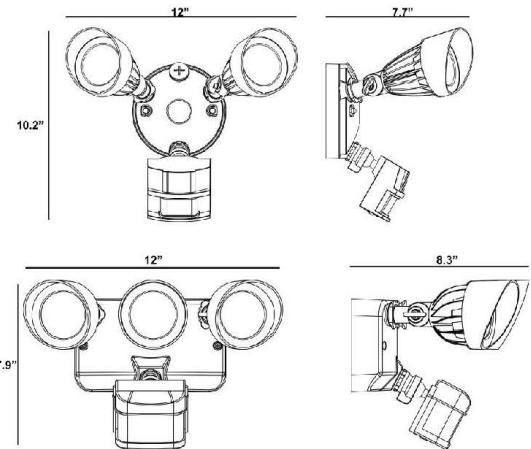
- :: Westgate's powerful security lights
- :: For flush mounting on recessed junction boxes
- :: Die-cast aluminum construction
- :: Tempered glass lens
- :: Wet location, IP65
- :: CRI: 82
- :: Temperature: -4°F~104°F
- :: Power factor: .90~.97
- :: Lumens: 1050 lumens per head
- :: Light beam angle: 270°
- :: Wattage: 12W per head
- :: Voltage: 100V~240V AC
- :: Sensor angle: 270°

### APPLICATIONS:

- :: Ideal for doorway, pathway and alleys



SMD Technology



## LED SECURITY LIGHTS WITH PIR SENSOR

CATALOG NO.	FINISH	WATTS	LUMENS	COLOR TEMP	REPLACEMENT RANGE
SLW-212-30K-P	White	2 x 12W	2 x 1050LM	3000K	70~100 MH
SLB-212-50K-P	Bronze	2 x 12W	2 x 1050LM	5000K	70~100 MH
SLB-212-30K-P	Bronze	2 x 12W	2 x 1050LM	3000K	70~100 MH
SLW-312-50K-P	White	3 x 12W	3 x 1050LM	5000K	100~150 MH
SLW-312-30K-P	White	3 x 12W	3 x 1050LM	3000K	100~150 MH
SLB-312-50K-P	Bronze	3 x 12W	3 x 1050LM	5000K	100~150 MH
SLB-312-30K-P	Bronze	3 x 12W	3 x 1050LM	3000K	100~150 MH

