

# RDL-WP

## MCT5

3"



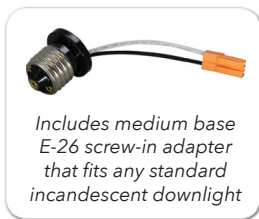
4"



6"



ACCESSORIES INCLUDED



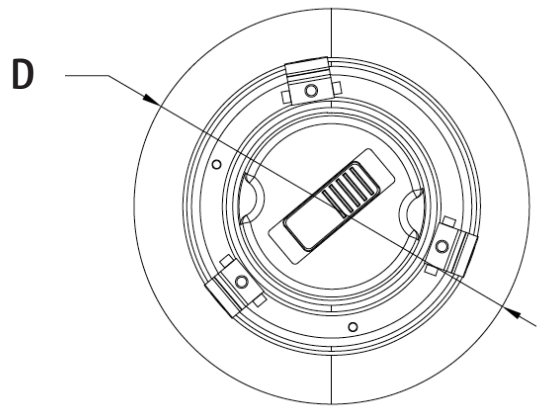
Includes medium base E-26 screw-in adapter that fits any standard incandescent downlight

TECHNICAL SPECIFICATIONS:

- :: Multi CCT (Selectable Switch on the Back of the driver)
- :: Dimmable down to 10% using a standard TRIAC LED dimmer (refer to website for more information)
- :: LED: Epistar chip (COB)
- :: Construction: Spun aluminum with white powder coat finish
- :: Optics: White translucent acrylic lens
- :: CRI: 90+
- :: Power Factor: 90%
- :: Operating temperature: 104°F
- :: Rated life: 50,000 hrs
- :: Suitable for wet locations (Except 3")
- :: 5-year warranty

APPLICATIONS:

:: LED retrofit trim have been designed to be a flexible lighting solution for retrofit and new construction applications, Ideal for closets, storage areas, attics, corridors, or general lighting solutions for residential and commercial applications



## LED DOWNLIGHTS (SMOOTH TRIM)—ROUND

CATALOG NO.	WATTS	COLOR TEMP	LPW	DIAMETER
RDL3-MCT5-WP	7W	2700K/3000K/3500K/4000K/5000K	80LM/W	3"
RDL4-MCT5-WP	8W	2700K/3000K/3500K/4000K/5000K	81LM/W	4"
RDL6-MCT5-WP	14W	2700K/3000K/3500K/4000K/5000K	81LM/W	5"