

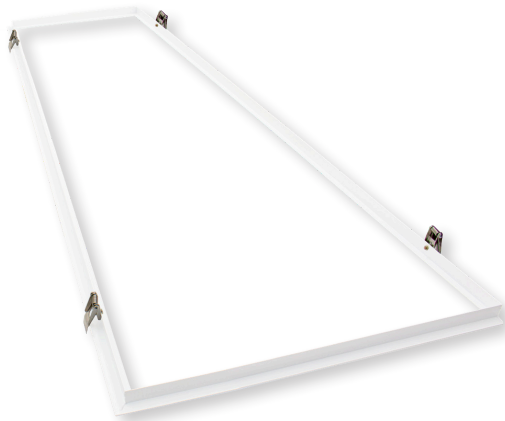
# LPNG-RMK

## TECHNICAL SPECIFICATIONS:

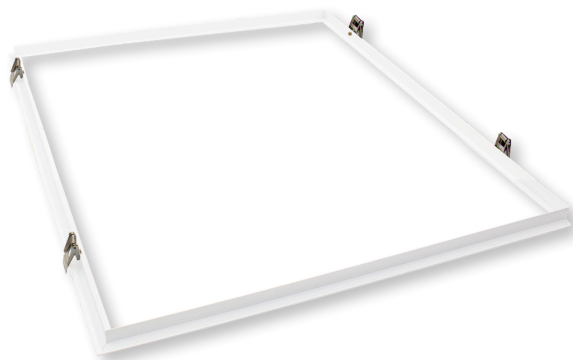
- :: Construction: Extruded aluminum construction with mitered corners for square fit
- :: Finish: Formulated for high durability and long-lasting color
- :: Compatible with any standard flat panel and troffer fixtures
- :: 4 stainless steel snapping clips

## FEATURES:

- :: Recessed Mounting Flange Kit for installation in hard ceilings and surfaces



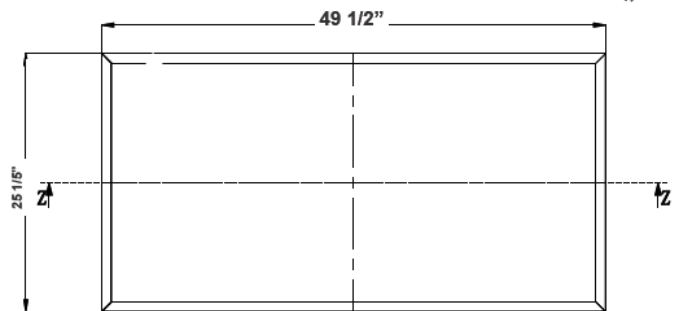
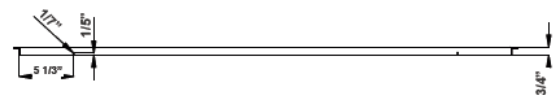
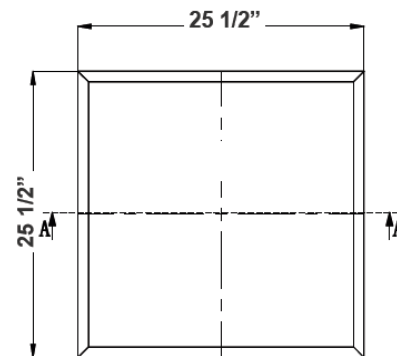
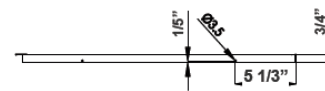
LPNG-RMK-1X4



LPNG-RMK-2X2



LPNG-RMK-2X4



## RECESSED MOUNTING KIT FOR PANEL LIGHTS

CATALOG NO.	DIMENSIONS
LPNG-RMK-1X4	49 1/2" x 12 1/2" x 1/2"
LPNG-RMK-2X2	25 1/2" x 25 1/2" x 3/4"
LPNG-RMK-2X4	49 1/2" x 25 1/5" x 3/4"

B3